



**EVEREST-10**



**EVEREST-10\_2020-6-12**

- To ensure that you are using the most recent version of this manual:  
[www.redcatracing.com/manuals/EVEREST10MANUAL.pdf](http://www.redcatracing.com/manuals/EVEREST10MANUAL.pdf)
- To ensure that you have the most recent version of the Electronic Vehicles Manual:  
[www.redcatracing.com/manuals/ELECTRIC-MANUAL.pdf](http://www.redcatracing.com/manuals/ELECTRIC-MANUAL.pdf)

# WARNINGS

READ ALL INSTRUCTIONS INCLUDED WITH VEHICLE BEFORE OPERATING



## AGE WARNING!

This radio controlled (RC) vehicle is not a toy! You must be 14 years of age or older to operate this vehicle. Adult supervision is required.



## RISK OF RUNAWAY VEHICLE OR INJURY!

Never turn on the vehicle or plug in the battery pack without first having the controller turned on.



## RISK OF FIRE! / RISK OF EXPLOSION!

There is a risk of fire and explosion when dealing with batteries. Rechargeable batteries may become hot and catch fire if left unattended or charged too quickly. Use extra caution when charging LiPO batteries. Use only LiPO specific chargers with LiPO batteries. Use a LiPO safe charging pouch when charging LiPOs. Charge away from flammable materials. Never charge at a rate higher than 1C. {2000Mah pack= 2amps charge rate). Overcharging can lead to fire and explosion. Always store battery packs in a cool dry place.



## RISK OF BURNS!

The batteries, electronic speed controller (ESC), electric motor, and other areas of the vehicle can get hot. Burns can occur if touched after vehicle operation. Allow adequate time to cool before handling.



## RISK OF ELECTRICAL SHOCK!

Use caution when charging batteries. Do not touch positive and negative leads together. Do not lay battery on metal. Use only chargers specified for the battery type being charged. Keep batteries and chargers away from water.



## RISK OF INJURY!

Hobby grade RC vehicles can cause serious injury or death if not operated correctly. Never use vehicle in crowds. Never chase people or animals. Drive in safe open areas only. Keep body parts away from moving parts.



## RISK OF DAMAGE!

Never operate RC vehicles on public roads. Damage of vehicle and property can occur. Only operate on open private property. Never charge the battery pack while it is still plugged into the RC vehicle. Always unplug the battery pack from the electronic speed controller (ESC) and remove the battery from the RC vehicle before charging. Failure to do so will result in damage to the vehicle's electronics.



## WARNING!

Do not mix old and new batteries. Do not mix alkaline, lithium, standard (carbon zinc), or rechargeable (nickel cadmium) batteries. Do not change or charge batteries in a hazardous location.



**FCC Compliance Statement!** The radio included with your vehicle complies with part 15 of the FCC Rules. Operation is subject to the following two conditions: (1) This device may not cause harmful interference, and (2) This device must accept any interference received, including interference that may cause undesired operations. Note: This equipment has been tested and found to comply with the limits for a Class B digital device, pursuant to Part 15 of the FCC Rules. These limits are designed to provide reasonable protection against harmful interference in a residential installation. This equipment generates, uses and can radiate radio frequency energy and, if not installed and used in accordance with the instructions, may cause harmful interference to radio communications. However, there is no guarantee that interference will not occur in a particular installation. If this equipment does cause harmful interference to radio or television reception, which can be determined by turning the equipment off and on, the user is encouraged to try to correct the interference by one of the following measures:

Reorient or relocate the receiving antenna.

Increase the separation between the equipment and receiver.

Connect the equipment into an outlet on a circuit different from that to which the receiver is connected.

Consult the dealer or an experienced radio/TV technician for help.

**WARNING:** Any changes or modifications not expressly approved by the party responsible for compliance could void the user's authority to operate this equipment.

**WARNING:** While operating the Radio, a separation distance of at least 20 centimeters must be maintained between the radiating antenna and the body of the user or nearby persons in order to meet the FCC RF exposure guidelines.



# WARNINGS

## ENGLISH

WARNING: DO NOT MIX OLD AND NEW BATTERIES. DO NOT MIX ALKALINE, LITHIUM, STANDARD (CARBON ZINC), OR RECHARGEABLE (NICKEL CADMIUM) BATTERIES.

WARNING: THIS REMOTE-CONTROL VEHICLE IS NOT A TOY. THIS REDCAT RACING PRODUCT IS A HIGH-PERFORMANCE VEHICLE THAT FOR SAFETY REASONS SHOULD NOT BE RUN ON PUBLIC STREETS, IN CROWDED AREAS, ENVIRONMENTALLY SENSITIVE AREAS, OR NEAR CHILDREN OR ANIMALS. THIS VEHICLE CONTAINS MOVING PARTS AND PARTS THAT CAN BECOME HOT TO THE TOUCH DURING NORMAL OPERATIONS. PLEASE READ THE MANUAL AND ALL WARNINGS CAREFULLY TO AVOID ANY DAMAGE OR INJURIES THAT MIGHT OCCUR. FOLLOW ALL PRODUCT WARNINGS. THIS PRODUCT MAY REQUIRE SOME ASSEMBLY AND ROUTINE MAINTENANCE IS NECESSARY. VISIT REDCATRACING.COM FOR HELPFUL VIDEOS ON PREPARING AND RUNNING YOUR R/C CAR. PLEASE GO TO REDCATRACING.COM TO VIEW THE LIMITED WARRANTY INFORMATION. CRASH DAMAGE IS NOT COVERED UNDER WARRANTY.

WARNING: THIS PRODUCT CONTAINS CHEMICALS WHICH ARE KNOWN TO THE STATE OF CALIFORNIA TO CAUSE CANCER, BIRTH DEFECTS, OR OTHER REPRODUCTIVE HARM. NOT FOR CHILDREN UNDER 14 YEARS OF AGE WITHOUT ADULT SUPERVISION. CONTAINS SMALL PARTS. KEEP OUT OF REACH OF SMALL CHILDREN.

MADE IN CHINA

## GERMAN

WARNUNG: ALTE UND NEUE BATTERIEN NICHT MISCHEN. MISCHEN SIE KEINE ALKALI-, LITHIUM-, STANDARD-(KOHLENSTOFF-ZINK) ODER WIEDERAUFLADBAREN (NICKEL-CADMIUM) BATTERIEN.

WARNUNG: DIESES FERNGESTEUERTE FAHRZEUG IST KEIN SPIELZEUG. DIESES REDCAT RACING PRODUKT IST EIN HOCHLEISTUNGSFAHRZEUG, DAS AUS SICHERHEITSGRÜNDEN NICHT AUF ÖFFENTLICHEN STRAßEN, IN ÜBERFÜLLTEN GEBIETEN, IN ÖKOLOGISCH SENSIBLEN BEREICHEN ODER IN DER NÄHE VON KINDERN ODER TIEREN EINGESETZT WERDEN SOLLTE. DIESES FAHRZEUG ENTHÄLT BEWEGLICHE TEILE UND TEILE, DIE SICH WÄHREND DES NORMALEN BETRIEBS ERHITZEN KÖNNEN. BITTE LESEN SIE DAS HANDBUCH UND ALLE WARNHINWEISE SORGFÄLTIG DURCH, UM SCHÄDEN ODER VERLETZUNGEN ZU VERMEIDEN. ALLE PRODUKTWARNUNGEN BEACHTEN. DIESES PRODUKT KANN EINIGE MONTAGE- UND WARTUNGSARBEITEN ERFORDERN. BESUCHEN SIE REDCATRACING.COM FÜR HILFREICHE VIDEOS ÜBER DIE VORBEREITUNG UND DEN BETRIEB IHRES RC-AUTOS. BITTE GEHEN SIE ZU REDCATRACING.COM, UM DIE INFORMATIONEN ZUR EINGESCHRÄNKTEN GARANTIE EINZUSEHEN. UNFALLSCHÄDEN SIND VON DER GARANTIE AUSGESCHLOSSEN.

WARNUNG: DIESES PRODUKT ENTHÄLT CHEMIKALIEN, DIE DEM STAAT KALIFORNIEN BEKANNT SIND, UM KREBS, GEBURTSFEHLER ODER ANDERE REPRODUKTIVE SCHÄDEN ZU VERURSACHEN. BENUTZUNG NICHT FÜR KINDER UNTER 14 JAHREN OHNE AUFSICHT EINES ERWACHSENEN. ENTHÄLT KLEINTEILE. AUßERHALB DER REICHWEITE VON KLEINEN KINDERN AUFBEWAHREN.

HERGESTELLT IN CHINA

## SPANISH

ADVERTENCIA: NO REVOLVER BATERIAS VIEJAS CON NUEVAS. NO REVUELVA ALCALINAS, LITIO, ESTANDARS (CARBONO DE ZINC), O BATERIAS RECARGABLES (NIQUEL CADMIO).

ADVERTENCIA: ESTE VEHICULO CONTROL REMOTO NO ES UN JUGETE. ESTE PRODUCTO REDCAT RACING ES UN VEHICULO DE ALTO RENDIMIENTO Y POR RAZONES DE SEGURIDAD NO DEVERIA SER CORRIDO EN CALLES PUBLICAS, EN ZONAS CON MUCHEDUMBRE, AREAS AMBIENTALMENTE SENSIBLES, O CERCA DE NIÑOS O ANIMALES. ESTE VEHICULO CONTIENE PARTES QUE TIENEN MOVIMIENTO Y PARTES QUE SE CALIENTAN DURANTE SU USO NORMAL. POR FAVOR LEA EL MANUAL Y TODAS SUS ADVERTENCIAS CUIDADOSAMENTE PARA EVITAR CUALQUIER DAÑO O LESION QUE PUEDA OCURRIR. SIGA TODAS LAS ADVERTENCIAS DEL PRODUCTO. ESTE PRODUCTO PUEDE REQUERIR ALGUN ENSAMBLE Y ES NECESARIO EL MANTENIMIENTO DE RUTINA. VISITA REDCATRACING.COM POR VIDEOS DE AYUDA EN PREPARACION Y COMO CORRER TU R/C CAR. POR FAVOR VE A REDCATRACING.COM PARA VER LA INFORMACION DE LOS LIMITES DE GARANTIA. DAÑOS POR CHOQUE NO SON CUBIERTOS POR LA GARANTIA.

ADVERTENCIA: DEACUERDO AL ESTADO DE CALIFORNIA ESTE PRODUCTO CONTIENE QUIMICOS QUE SON CONOCIDOS POR CAUSAR CANCER, DEFECTOS DE NACIMIENTO, O OTROS DAÑOS REPRODUCTIVOS. NO PARA NIÑOS MENORES DE 14 AÑOS DE EDAD SIN LA SUPERVISION DE UN ADULTO. CONTIENE PARTES PEQUEÑAS, MANTENLO FUERA DEL ALCANCE DE LOS NIÑOS PEQUEÑOS.

HECHO EN CHINA

## FRENCH

AVERTISSEMENT : NE PAS MÉLANGER D'ANCIENNES ET DE NOUVELLES PILES. NE PAS MÉLANGER DES PILES ALCALINES, AU LITHIUM, STANDARD (CARBONE-ZINC) OU RECHARGEABLES (NICKEL-CADMIUM).

AVERTISSEMENT : CE VÉHICULE TÉLÉCOMMANDÉ N'EST PAS UN JOUET. CE PRODUIT REDCAT RACING EST UN VÉHICULE DE HAUTE PERFORMANCE QUI, POUR DES RAISONS DE SÉCURITÉ, NE DOIT PAS ÊTRE UTILISÉ SUR LA VOIE PUBLIQUE, DANS DES ENDROITS BONDÉS, DANS DES ZONES ÉCOLOGIQUEMENT SENSIBLES OU À PROXIMITÉ D'ENFANTS OU D'ANIMAUX. CE VÉHICULE CONTIENT DES PIÈCES MOBILES ET DES PIÈCES QUI PEUVENT DEVENIR CHAUDES AU TOUCHER PENDANT LES OPÉRATIONS NORMALES. VEUILLEZ LIRE ATTENTIVEMENT LE MANUEL ET TOUS LES AVERTISSEMENTS AFIN D'ÉVITER TOUT ACCIDENT OU BLESSURE QUI POURRAIT S'EN SUIVRE. SUIVRE TOUTES LES MISES EN GARDE SUR LES PRODUITS. CE PRODUIT PEUT NÉCESSITER UN CERTAIN ASSEMBLAGE ET UN ENTRETIEN DE ROUTINE SI NÉCESSAIRE. VISITEZ REDCATRACING.COM POUR VISIONNER DES VIDÉOS UTILES SUR LA PRÉPARATION ET L'UTILISATION DE VOTRE VOITURE DE LOCATION. VEUILLEZ VOUS RENDRE SUR REDCATRACING.COM POUR CONSULTER LES INFORMATIONS SUR LA GARANTIE LIMITÉE. LES DOMMAGES DUS À UN ACCIDENT NE SONT PAS COUVERTS PAR LA GARANTIE.

AVERTISSEMENT : CE PRODUIT CONTIENT DES PRODUITS CHIMIQUES QUI SONT CONNUS DE L'ÉTAT DE CALIFORNIE COMME CAUSANT LE CANCER, DES MALFORMATIONS CONGÉNITALES OU D'AUTRES PROBLÈMES DE REPRODUCTION. PAS POUR LES ENFANTS DE MOINS DE 14 ANS SANS LA SURVEILLANCE D'UN ADULTE. CONTIENT DE PETITES PIÈCES. GARDER HORS DE PORTÉE DES JEUNES ENFANTS.

FABRIQUÉ EN CHINE

# FEATURES & SPECIFICATIONS

- Brushed Electric Motor
- Brushed 45A Crawler ESC
- Forward & Reverse
- 4 Wheel Drive
- Aluminum Capped Oil Filled Shocks
- Aluminum Chassis
- 2.4GHz Remote
- 7.2V 2000mAH NiMH Battery
- NiMH Charger
- Scale: 1/10
- Gear Ratio: 1:48

- Length: 460mm
- Width: 260mm
- Height: 160mm
- Wheelbase: 320mm
- Ground Clearance: 90mm
- Dry Weight: 2.09kg

## Vehicle Battery Capabilities

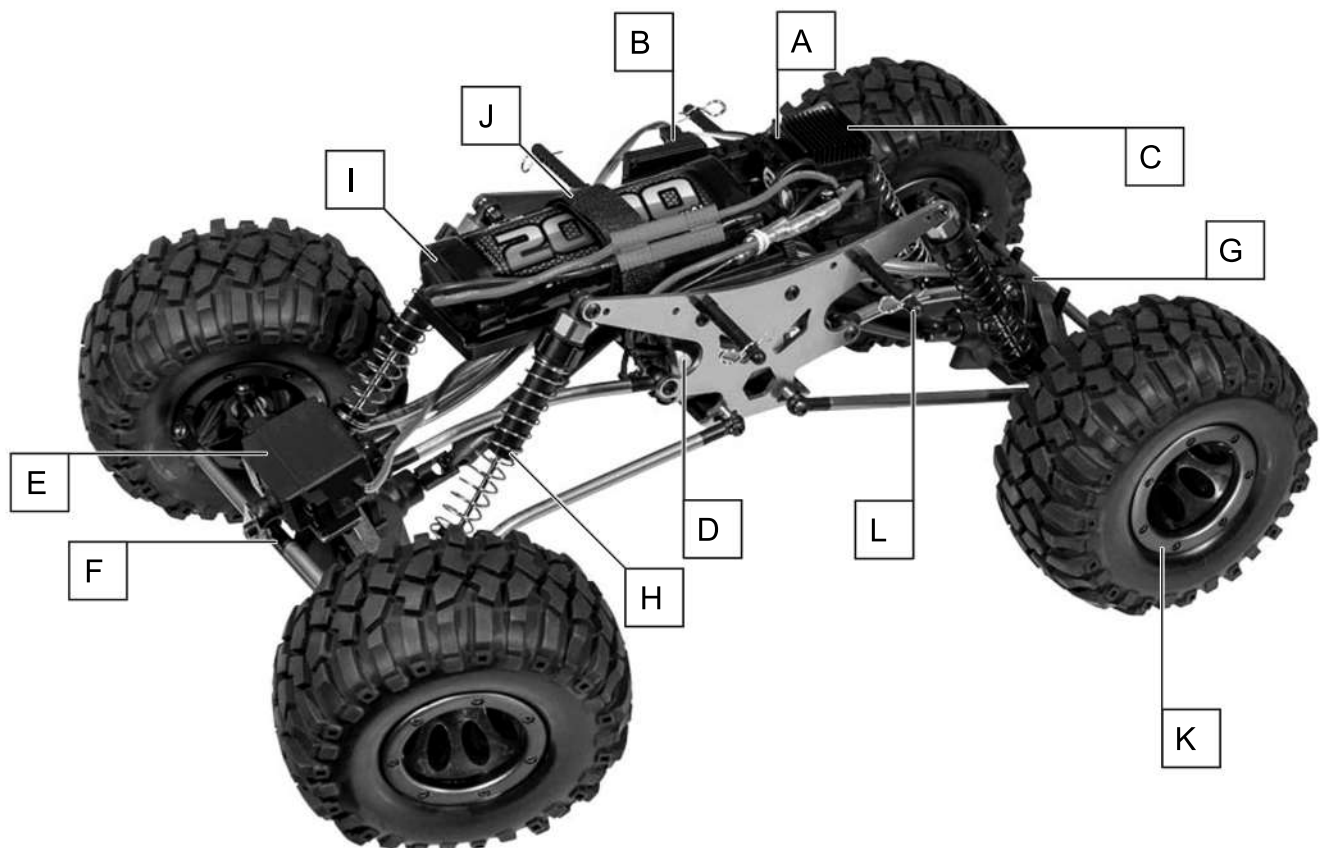
- Minimum Battery: 7.2v 1800mAH NiMH
- Maximum Battery: 7.2v 5800mAH NiMH
- LiPo Ready - See Page 6

Warning: Exceeding the maximum battery voltage may cause damage to the motor and electronic components of this vehicle and will void the vehicle warranty.

# VEHICLE OVERVIEW

- A:** On/Off Switch
- B:** 2.4GHz Receiver
- C:** ESC
- D:** Electric Motor
- E:** Steering Servo
- F:** Steering Linkage

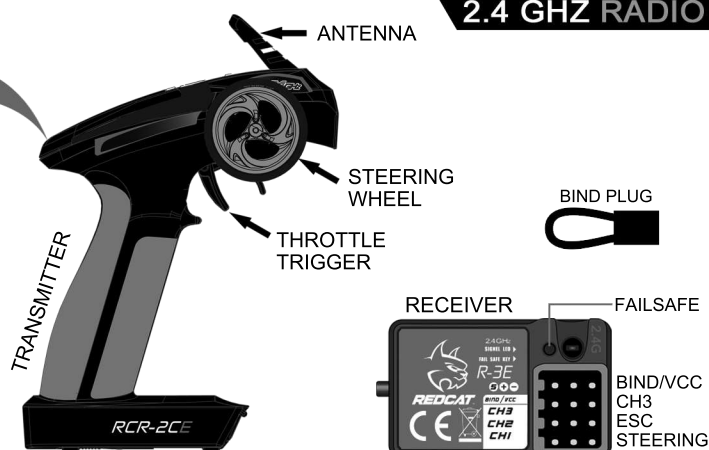
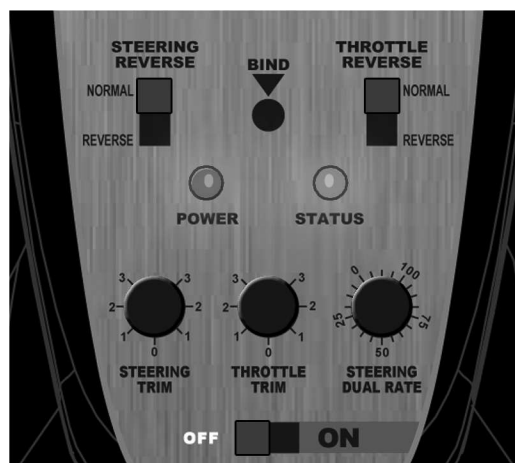
- G:** Optional Rear Servo Mounting Location
- H:** Oil Filled Shock (x4)
- I:** Battery
- J:** Battery Strap
- K:** Beadlock Wheel (x4)
- L:** Body Post (x4)





# RADIO GUIDE

CONTROL PANEL



2.4 GHZ RADIO

## RADIO:

**Steering Reverse Switch:** Top left switch. Used to change steering orientation. If the car turns right when you steer left, flip this switch.

**Throttle Reverse Switch:** Top right switch. Used to change throttle trigger orientation. If the car goes in reverse while you pull the throttle trigger, flip this switch.

**Power LED:** Left LED light. Lights up when the transmitter is turned on.

**Status LED:** Right LED light. Lights up green when transmitter batteries are full. Flashes when transmitter batteries are low and need replacing.

**Bind Button:** Used to bind the transmitter to the receiver. See binding instructions.

**Steering Trim:** Left knob. Used to set the steering neutral point. If the vehicle veers in one direction while the steering wheel is centered, turn this knob in the opposite direction until the car drives straight.

**Throttle Trim:** Middle knob. Used to set the throttle neutral point. If the vehicle moves forward or reverse while the throttle trigger is centered, turn this knob until the vehicle remains still. For maximum setting, turn slowly until the vehicle creeps forward, then turn the knob the opposite direction until the car stops.

**Steering Dual Rate:** Right knob. Used to limit the amount of steering. 0= little/no steering & 100= maximum steering. Set the knob to the amount of steering you feel comfortable with. If the vehicle has a tendency to spin out, lower the steering rate.

**On/Off Switch:** Bottom switch. Turns transmitter On and Off.

## RECEIVER:

**BIND/VCC:** Used when binding to transmitter.

**Ch3:** Used for 3rd channel when needed.

**Ch2:** Used for electronic speed controller (ESC).

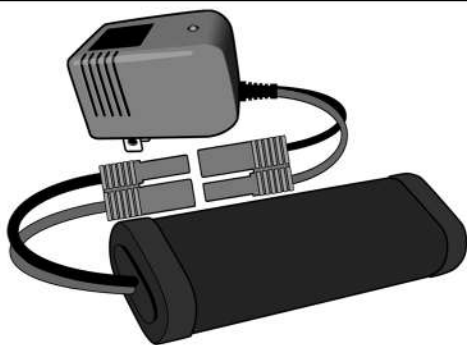
**Ch1:** Used for steering servo.

**Failsafe Button:** Used to set failsafe.

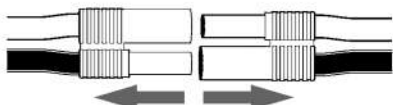
## BINDING:

1. Insert the BIND PLUG into the receiver BIND port.
2. Make sure your ESC is plugged into CH2, and insert the bind plug into BIND/VCC. Now, power the vehicle on and the receiver light should begin to blink red.
3. Press the BIND button in the center of the transmitter's Control Panel and turn on radio.
4. Release the bind button when you see the green light on the radio flashing. At this point, your receiver's LED light should pause for approximately 1 second and then blink slowly. Turn off the power to your vehicle, as well as the radio.
5. Remove the BIND PLUG from the receiver. Make sure the servos and ESC are attached as described above.
6. First turn your radio on, then your vehicle as normal. Your radio and receiver should be bound together and communicating with each other.

# CHARGING THE NiMH BATTERY



## ATTENTION



Before attempting to charge your NiMH battery, be sure to remove it from the vehicle and place it on a nonflammable surface away from hazards, such as curtains, couches, or clothing.

Warning! Batteries can potentially catch fire if over charged or charged incorrectly.

### NiMH Charging:

Charging NiMH battery packs with the included charger is simple.

1. Unplug and remove the battery from the RC vehicle.
2. Plug the charger into a 110v wall receptacle.
3. Plug the battery pack into the charger.

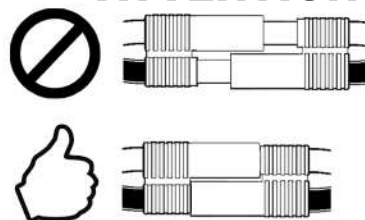
When plugging the battery into the charger, ensure the red (POS+) wire on the battery is connected to the red (POS+) wire of the charger. Also ensure the black (NEG-) wire on the battery is connected to the black (NEG-) wire of the charger.

Charge times vary according to charger current and battery mAh. **Battery mAh ÷ Charger mA = Approximate charge time**

Ex. 2000mAh battery ÷ 500 mA charger = ~4 hours charge time.

BATTERY CHARGER ↓	2000mAh	2200mAh	3000mAh	3800mAh
250mA	8 hrs	8.8 hrs	12 hrs	15.2 hrs
500mA	4 hrs	4.4 hrs	6 hrs	7.6 hrs
650mA	3 hrs	3.4 hrs	4.6 hrs	5.8 hrs

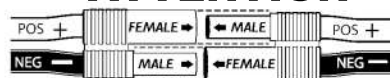
## ATTENTION



### BATTERY CONNECTION INSTRUCTIONS:

Make sure battery connectors are fully pushed in when charging and connecting to the vehicle.

## ATTENTION



Be sure the wires are correctly orientated when plugging the battery into the vehicle.

When plugging the battery into the vehicle, Ensure the red (POS+) wire on the battery is connected to the red (POS+) wire of the ESC. Also ensure the black (NEG-) wire on the battery is connected to the black (NEG-) wire of the ESC.

Improper connection may damage electronics.



# WARNING



### UNPLUG THE BATTERY PACK FROM THE VEHICLE!

BEFORE CHARGING YOUR BATTERY PACK, YOU MUST FIRST UNPLUG IT FROM THE ESC. FAILURE TO UNPLUG THE BATTERY FROM THE VEHICLE'S ESC BEFORE CHARGING MAY PERMANENTLY DAMAGE SOME OR ALL ELECTRONICS IN THE VEHICLE.

**NEVER LEAVE BATTERY PACKS UNATTENDED WHILE CHARGING!** Leaving a battery unattended while charging may result in fire and damage / injury.

**NEVER ALLOW A BATTERY PACK TO GET HOT!** It's normal for the battery pack to get warm, but it should never get hot! Monitor batteries during charging and unplug to let cool if the battery gets hot.

**WHEN CHARGING LIPOs, A LIPO SAFE CHARGING BAG SHOULD BE USED TO HELP PREVENT FIRES.**

# ELECTRONIC SPEED CONTROL HX-1040-BRUSHED

## OPERATION:

**Step 1:** Connect all components (as shown on receiver unit) and recheck all connections before moving to the next step.

**Step 2:** Set the Throttle Range. The ESC can automatically recognize the neutral position of the transmitter, but you need to follow the following steps.

1. Turn on the transmitter and move/leave the throttle in the neutral position.
2. With the ESC powered off, connect the motor, battery and other devices.
3. Turn on the ESC and wait 3 seconds. The ESC will auto detect the neutral position.

**Note:** The ESC will beep according to the battery type and cell count used. If the ESC is set to use LiPo batteries, the ESC will sound 2 short beeps if it detects a 2s LiPo, and 3 short beeps if it detects a 3s LiPo. If the ESC is set to use a NiMH battery, it will beep one short beep followed by one long beep indicating self detection is over and the ESC is ready to use.

## Attention!

1. After turning on the ESC, you must wait (at least 3 seconds) until the self detection completes. Otherwise, it may not function properly.
2. After turning on the ESC, if there is no power output and the Red LED flashes rapidly, it means the throttle of the transmitter is not in the neutral position. If this happens, be sure the "Throttle Trim" on the transmitter is at the "0" position, fine tune the throttle neutral position until the Red LED stops flashing.
3. To avoid any possible injury, always turn on the transmitter first and the ESC last, and then turn off the ESC first and the transmitter last. Be sure the transmitter is on anytime the vehicle is on.

**Step 3:** The Red LED will emit certain flash sequences while running the vehicle. If everything is hooked up correctly and the vehicle is running normal, the ESC LED should look like this.

1. The Red LED will turn off when the throttle trigger is in the throttle neutral zone.
2. The Red LED flashes rapidly when the vehicle is lightly throttled forward and turns solid Red when full throttle is used.
3. The Red LED flashes rapidly when the vehicle is lightly throttled rearward and turns solid Red when full reverse or brake is being used.

**Note:** Swap the two wires from motor to ESC if you find the motor runs in reverse, but check the Throttle Reverse switch on the transmitter first.

## PROGRAMMING:

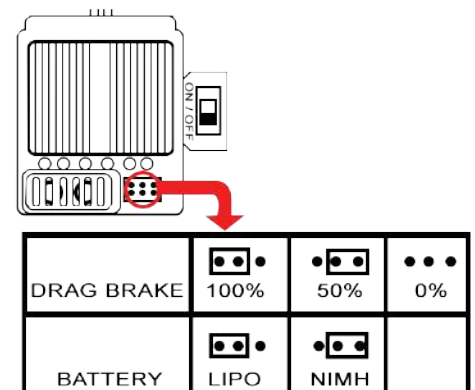
This ESC has two programmable items, that can be easily programmed with the included jumper caps.

### 1. The top row = "Drag Brake".

- 100% drag brake = Connect one jumper cap to the left two pins.
- 50% drag brake = Connect one jumper cap to the right two pins.
- 0% drag brake = No jumper cap.

### 2. The bottom row = "Battery Type".

- LIPO battery = Connect one jumper cap to the left two pins.
- NiMH battery = Connect one jumper cap to the right two pins.
- LIPO battery = Default setting.

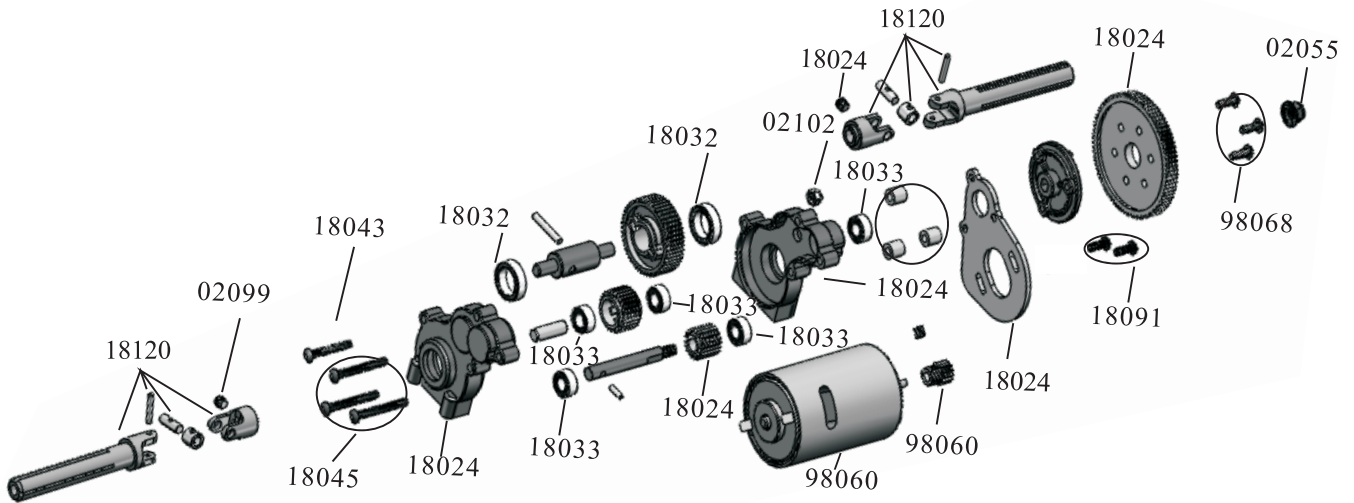






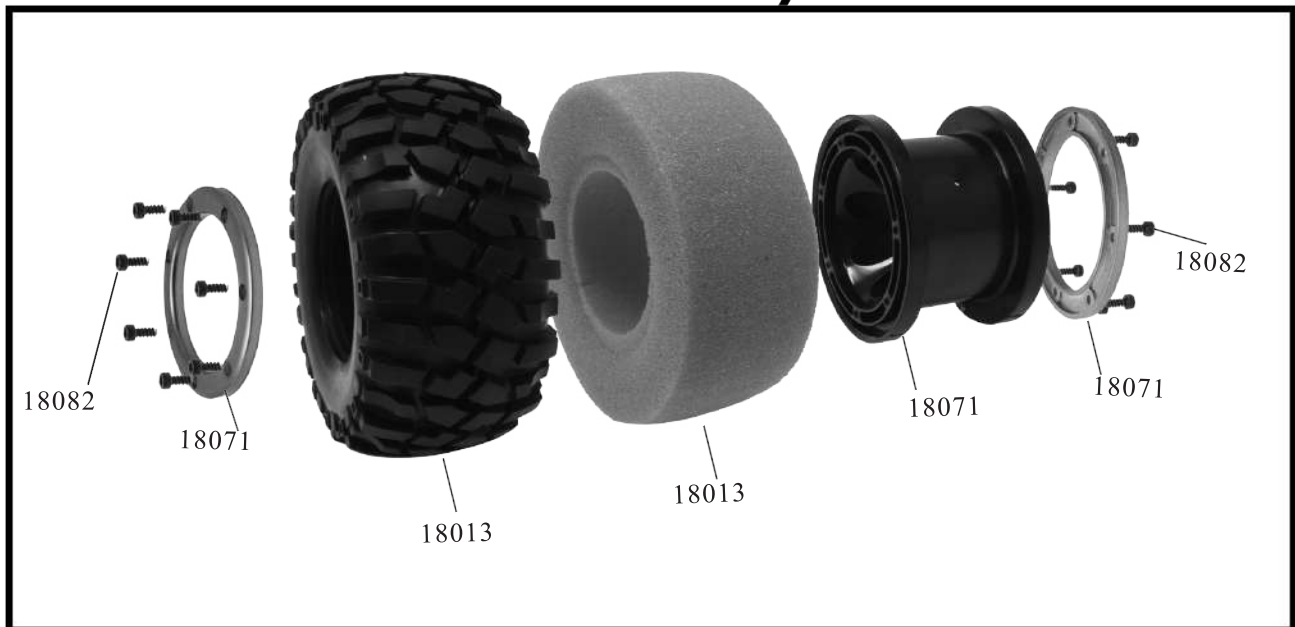


# Center Unit

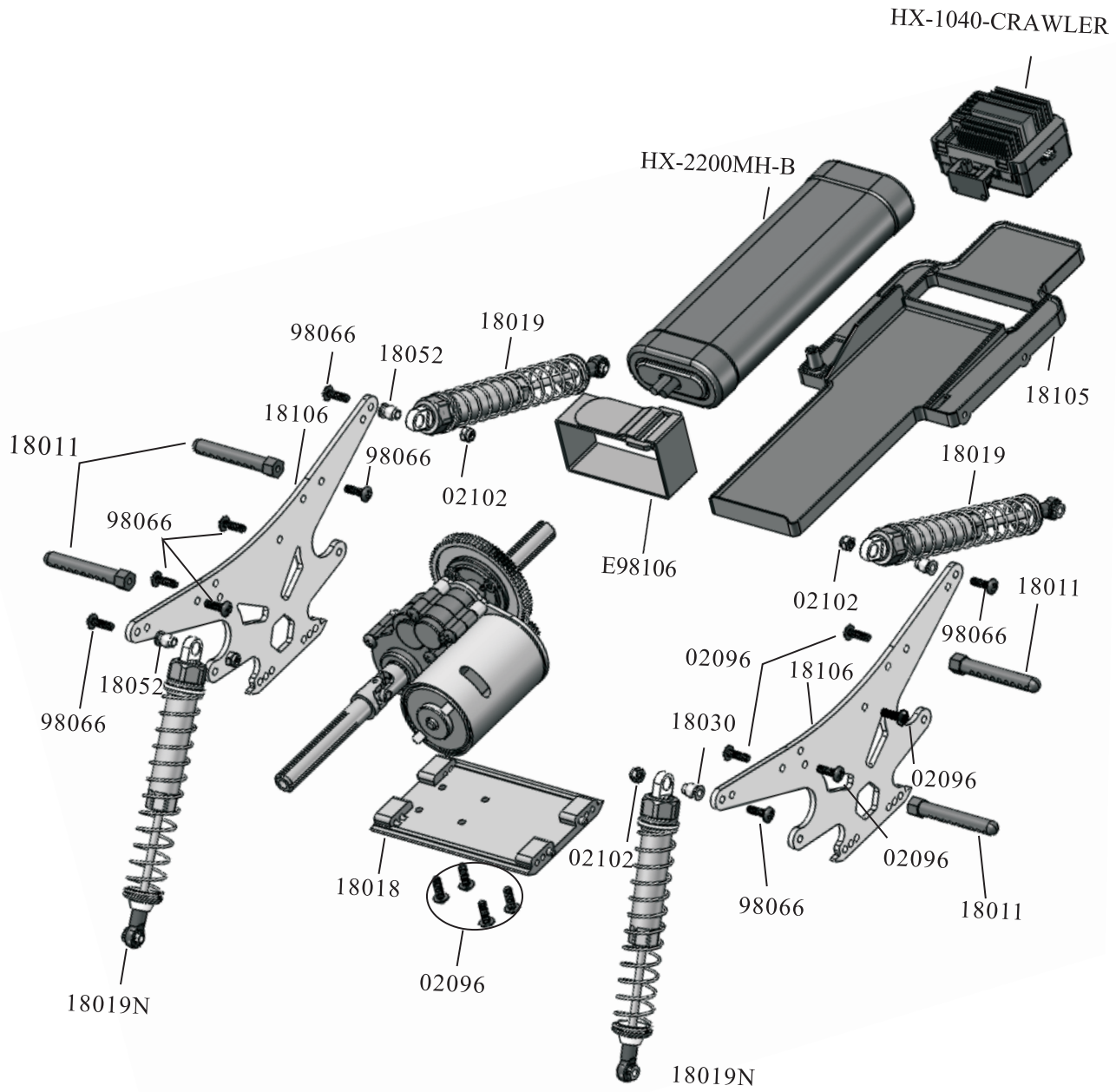


# Tire Set Assembly

18072 - Pre-Mounted Tire Set



# Chassis Assembly



















## PARTS

18105 - Battery Holder 	HX-220MH-B - Battery 	HX-1040 - CRAWLER / ESC (Electronic Speed Control ) 	98060 - 54 Turn Motor (RC540) W/Gear (14T) 
RCR -2 CENR Radio Transmitter 	28480 - Receiver 	18010 - Servo Plate W/Servo Mount 	HX - 15CS- Servo 15KG 
18018 - Chassis 	18106 - Side Plate 	18011 - Body Post 	02072 - Throttle/Steering Servo horn *2PCS 
E98106 - Battery Strap 	18005 - King Pin Bushing 	02102 - Nylon Nuts M3 	02055-Nylon Nuts M4 
18052 - Ball Stand 	18030 - Ball Stand off - Long 	18032 - Ball Bearings (10*15*4) 	18033 - Ball Bearings (5*10*4) 
50043 - E-Clips 4.0MM 	60043 - E-Clips 2.5MM 	02053 - Body Clip 8P 	18112 - Shock Cup Tension Clips 8mm 
98066 - Cap Head Machine Screw M3*14 6P 	18091 - Cap Head Machine Screw M3*6 8P 	98068 - Cap Head Machine Screw M3*8 8P 	02096 - Cap Head Machine Screw M3*10 6P 

# PARTS

<p>18126 - Front/Rear Gear Box(Shell only)</p> 	<p>18003 - Center Link Ball Mounts</p> 	<p>18004 - Steering Knuckle (L/R)</p> 	<p>18006 - Caster Mounts C-Hub (L/R)</p> 
<p>18019N - Shock Absorber (Soft) 2P-Length 121mm</p> 	<p>18019 - Shock Absorber (Hard) 2P - Length 121mm</p> 	<p>18034 - Red Body</p> 	<p>18035 - Blue Body</p> 
<p>18021 - Servo Linkage (60.23mm) 2P</p> 	<p>18023 - Connect Linkage (138mm) 2P</p> 	<p>18020 - Side Linkage (123.5mm) 2P</p> 	<p>18108 - Upper Connect Link - Curved (105mm)</p> 
<p>18072 - Pre-Mounted Tire Set</p> 	<p>18013 - Tire W/Foam</p> 	<p>18071 - Rims/Secure Ring</p> 	<p>18015 - Adjustable Linkage</p> 
<p>18016 - Wheel Hex. - 12mm W/Pins (2*10mm)</p> 	<p>18009 - Connect Box W/ Main Gear (38T)</p> 	<p>18007 - Drive Shaft(R)</p> 	<p>18008 - Drive Shaft(R)</p> 
<p>18024 - Gear Box Set ( Complete )</p> 	<p>02030 - Drive Gear(13T)</p> 	<p>18120 - Universal Drive Dogbone</p> 	<p>18012 - Wheel Axle</p> 

# PARTS

<p>18042-Cap Head Machine Screw M3*16 6P</p> 	<p>18043-Cap Head Machine Screw M3*20 6P</p> 	<p>18045-Cap Head Machine Screw M3*24 6P</p> 	<p>18044-Cap Head Machine Screw M3*25 4P</p> 
<p>18046-Cap Head Machine Screw M3*26 6P</p> 	<p>98069-Cap Head Machine Screw M4*8 8P</p> 	<p>18048-Countersink Head Machine Screw M3*10 8P</p> 	<p>18040-Round Head Machine Screw M2*10 6P</p> 
<p>18082 - Column Head Self-Tapping Screw M2.5*6 8P</p> 	<p>18051 - Set Screw M3*15 6P</p> 	<p>13840 - Hexagon Headless Chamfered End Machine Screw 3*18 8P</p> 	<p>02099 - M4*4 Grub Hex. Screw 10P</p> 
<p>86081-M3*3Grub Hex. Screw 8P</p> 	<p>98064-Cap Head Machine Screw M3*12 8P</p> 		

# UPGRADES PARTS

<p>180001 - Center Link Ball Mounts (AL.)</p> 	<p>180002 - Steering Arm Mounts (AL.)</p> 	<p>180003 - Caster Mounts (L/R) (AL.)</p> 	<p>180010 - Servo Mount (AL.)</p> 
<p>180006 - Chassis Plate (AL.)</p> 	<p>180007 - Shock Absorber (AL.)</p> 	<p>180008 - Body Post (AL.)</p> 	<p>180016 - 12mm Wheel Hex Mount W/Pins(2*10) 4P</p> 
<p>180011- Universal Drive (AL.)</p> 	<p>706010 Front Gear Box (Shell Only) AL.</p> 	<p>180009 - Connect Box(W/ Gear 38T) (AL.)</p> 	





[www.redcatracing.com](http://www.redcatracing.com)

 Follow us on FaceBook: <https://www.facebook.com/RedcatRacing>

- To ensure that you are using the most recent version of this manual:  
[www.redcatracing.com/manuals/VOLCANOEPXMANUAL.pdf](http://www.redcatracing.com/manuals/VOLCANOEPXMANUAL.pdf)
- To ensure that you have the most recent version of the Electric Vehicles Manual:  
[www.redcatracing.com/manuals/ELECTRIC-MANUAL.pdf](http://www.redcatracing.com/manuals/ELECTRIC-MANUAL.pdf)