



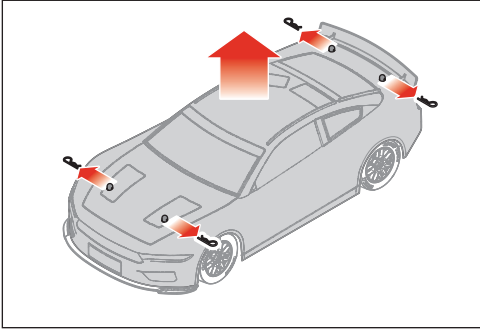
# QUICKSTART GUIDE



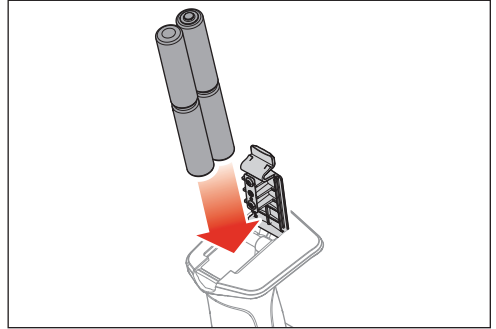
Scan the QR code to view  
the QuickStart video.



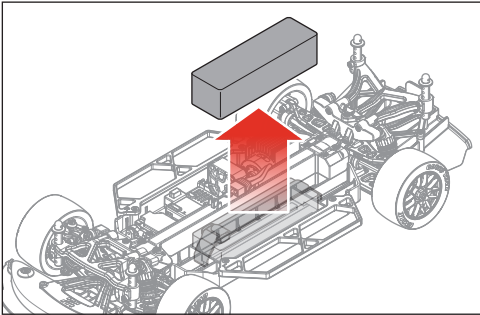
## 1. Remove the Body



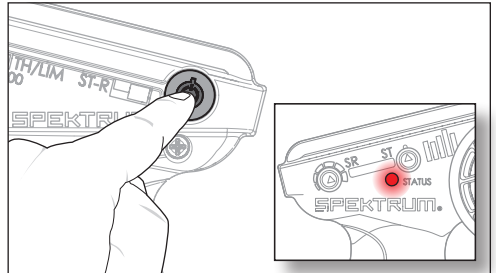
## 5. Install the Transmitter Batteries



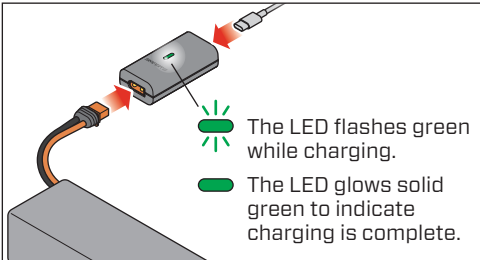
## 2. Remove the Vehicle Battery



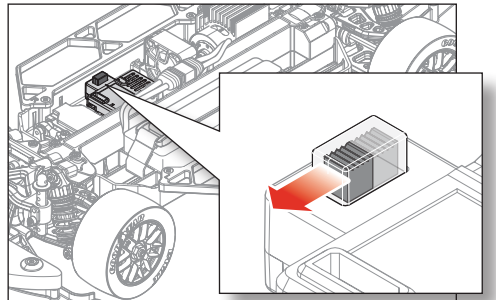
## 6. Power On the Transmitter



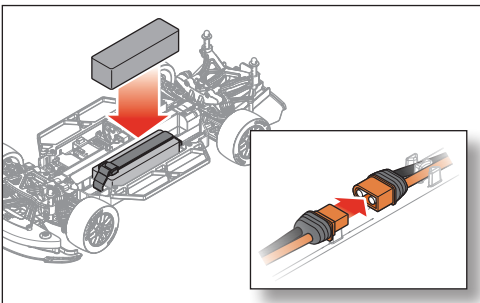
## 3. Charge the Vehicle Battery



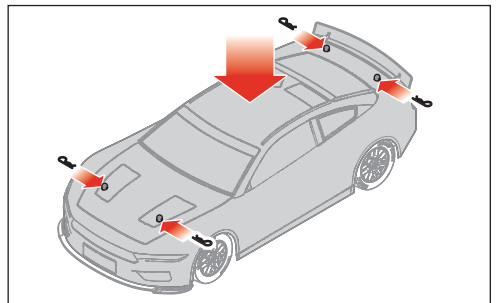
## 7. Power On the Vehicle



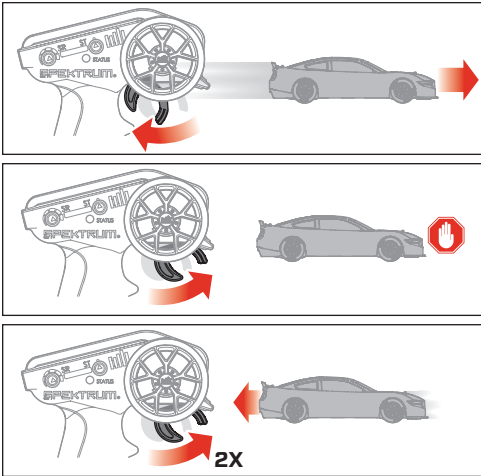
## 4. Reinstall the Vehicle Battery



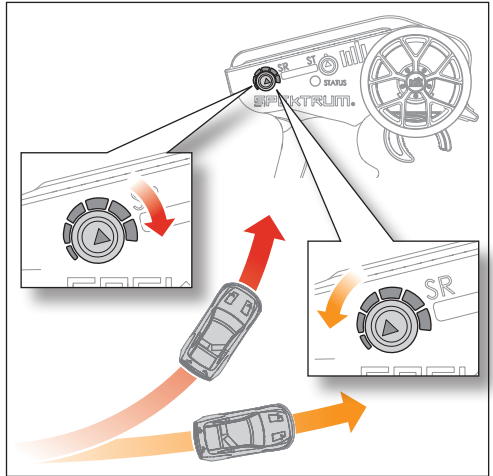
## 8. Reinstall the Body



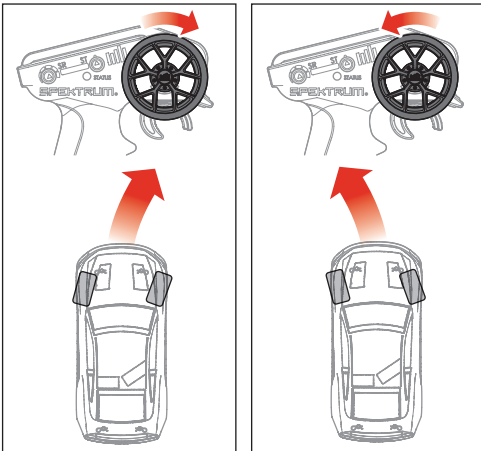
## 9. Throttle/Brake



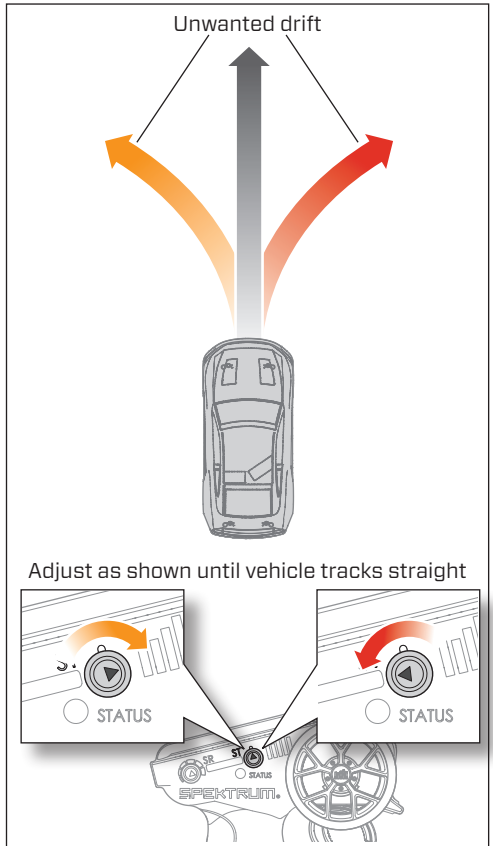
## 12. Steering Rate



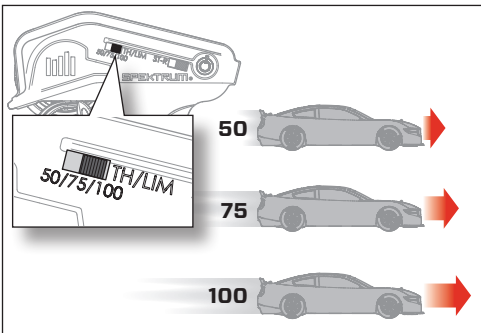
## 10. Steering



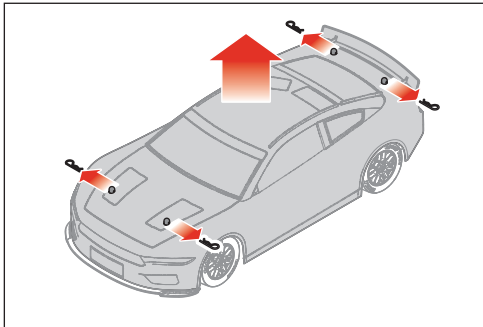
## 13. Steering Trim



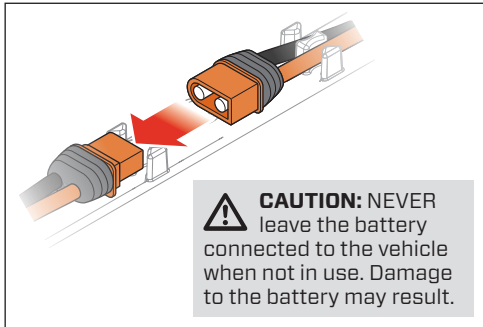
## 11. Throttle Limiter



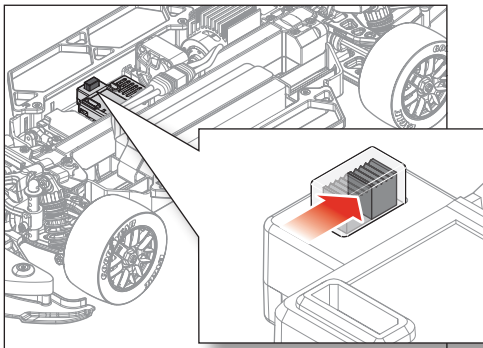
## 14. Remove the Body



## 16. Disconnect the Vehicle Battery



## 15. Power Off the Vehicle



## 17. Power Off the Transmitter

