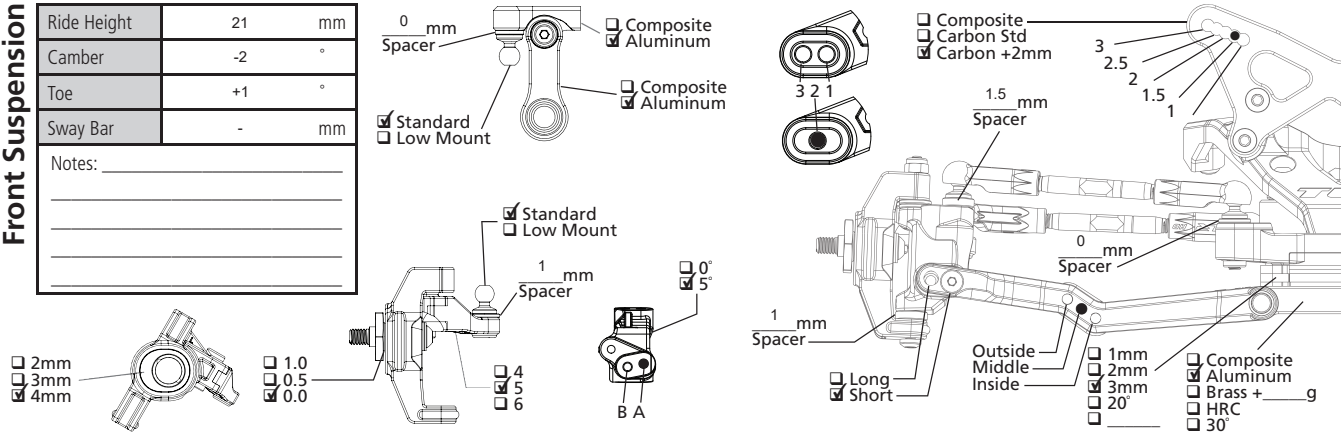


Track Conditions							
<input checked="" type="checkbox"/> Indoor	<input checked="" type="checkbox"/> Clay	<input type="checkbox"/> Carpet	<input checked="" type="checkbox"/> Tight	<input checked="" type="checkbox"/> Smooth	<input checked="" type="checkbox"/> Hard Packed	<input type="checkbox"/> Blue Groove	<input checked="" type="checkbox"/> Wet
Bite: <input type="checkbox"/> Low <input checked="" type="checkbox"/> Med <input checked="" type="checkbox"/> High		Other: Pins to start, worn to ghost treads main day					
<input type="checkbox"/> Outdoor	<input type="checkbox"/> Dirt	<input type="checkbox"/> Astro	<input checked="" type="checkbox"/> Open	<input type="checkbox"/> Rough	<input type="checkbox"/> Loose/Loamy	<input type="checkbox"/> Dry	<input type="checkbox"/> Dusty
Tread: <input checked="" type="checkbox"/> Pin <input type="checkbox"/> Ghost <input type="checkbox"/> Slicks							

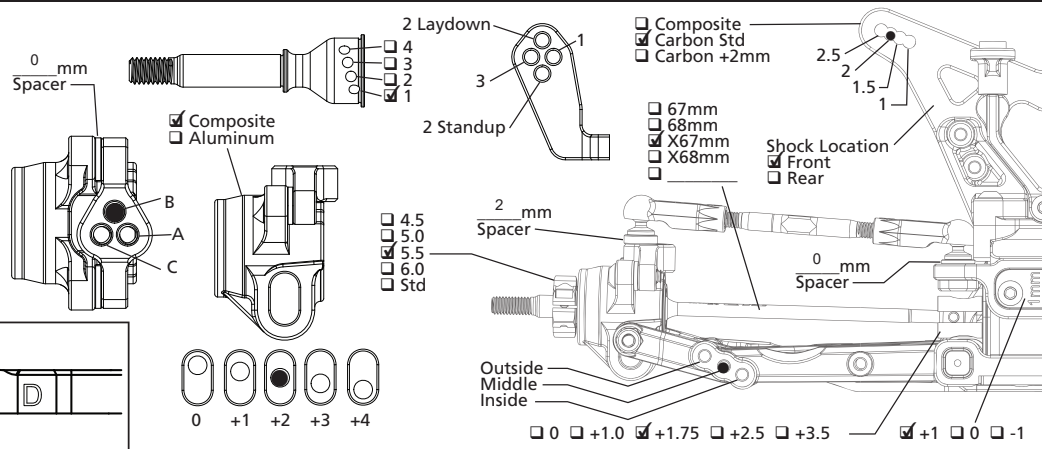
Front Suspension

Ride Height	21	mm
Camber	-2	°
Toe	+1	°
Sway Bar	-	mm
Notes:		



Rear Suspension

Ride Height	21	mm
Camber	-2.5	°
Sway Bar	-	mm
Notes:		



Chassis

Drive Train	
Diff Type	<input checked="" type="checkbox"/> Ball Diff <input type="checkbox"/> Gear Diff
Setting/Fluid	1 rotation
Internal Gears	<input type="checkbox"/> Steel <input type="checkbox"/> Composite
Planet Gears	<input type="checkbox"/> 2 <input type="checkbox"/> 4
Slipper	<input checked="" type="checkbox"/> Slipper <input type="checkbox"/> Direct Drive
Slipper Pads	<input type="checkbox"/> Torque/Yellow <input checked="" type="checkbox"/> Drive/Orange

Aerodynamics	
Body	Pro-Line Axis LW
Fr Wing	TLR Low Mount
Rr Wing	TLR 6.5"
Wicker	2nd Line
Angle	4 °
Notes	

Tires		
	Front	Rear
Brand	Pro-Line	Pro-Line
Tread	Electron	Positron
Compound	MC	MC
Insert	Stock	Stock, Zeke Mod
Sauce	Handout	Handout
Wheel	<input type="checkbox"/> Standard <input checked="" type="checkbox"/> Stiffezel	Yellow
Notes		

Shocks

	Front	Rear
Shock Caps	Aluminum	Aluminum
Oil	27.5	30
Piston	2 x 1.5mm <input checked="" type="checkbox"/> Thin	2 x 1.7mm <input checked="" type="checkbox"/> Thin
Limiters, Int	1 mm	0 mm
Shaft Dia	<input checked="" type="checkbox"/> 3.0mm <input type="checkbox"/> 3.5mm	<input checked="" type="checkbox"/> 3.0mm <input type="checkbox"/> 3.5mm
Limiters, Ext	0 mm	0 mm
Stroke	24.5 mm	30.5 mm
Eyelet	<input checked="" type="checkbox"/> Std <input type="checkbox"/> +2mm	<input checked="" type="checkbox"/> Std <input type="checkbox"/> +2mm
Spring	AE Gray 91329	TLR White LF
Spring Cup	<input type="checkbox"/> Low <input type="checkbox"/> Mid <input checked="" type="checkbox"/> High	<input type="checkbox"/> Low <input checked="" type="checkbox"/> Mid <input type="checkbox"/> High

Electronics

Radio	Spektrum DX6R	ESC	Muchmore Fleta Pro V2
Servo	SPMSS6240RX	Thro Prof	8
Battery	Motiv Defy G 6000mAh	Timing Adv	10 deg Turbo
Battery Wt	214g	Initial Brake	Drag Brake
Motor	Motiv MC2 7.5T	Drag Brake	15%
Gearing	22 / 78	Thr/Bra EPA	100 / 75

