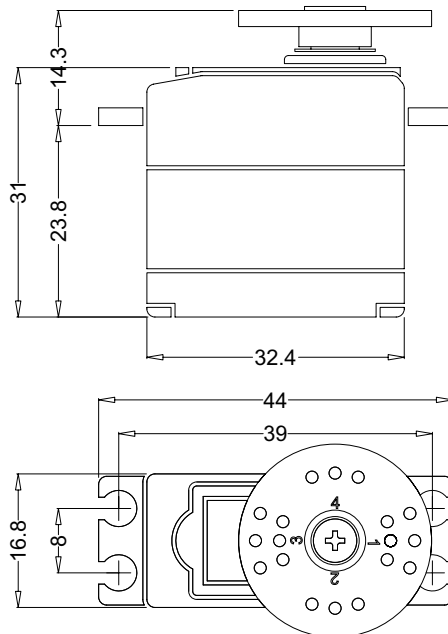


# ANNOUNCED SPECIFICATION OF HS-225BB MIGHT MINI SERVO

## 1. TECHNICAL VALUES

CONTROL SYSTEM	:+PULSE WIDTH CONTROL 1500usec NEUTRAL	
OPERATING VOLTAGE RANGE	:4.8V TO 6.0V	
OPERATING TEMPERATURE RANGE	:-20° C TO +60° C	
TEST VOLTAGE	:AT 4.8V	AT 6.0V
OPERATING SPEED	:0.14sec/60° AT NO LOAD	0.11sec/60° AT NO LOAD
STALL TORQUE	:3.9kg.cm(54.15oz.in)	4.8kg.cm(66.65oz.in)
OPERATING ANGLE	:45°/ONE SIDE PULSE TRAVELING 400usec	
DIRECTION	:CLOCK WISE/PULSE TRAVELING 1500 TO 1900usec	
CURRENT DRAIN	:8mA/IDLE AND 300mA NO LOAD RUNNING	
DEAD BAND WIDTH	:8usec	
CONNECTOR WIRE LENGTH	:300mm(11.81in)	
DIMENSIONS	:32.4x16.8x31mm(1.27x0.66x1.22in)	
WEIGHT	:27g(0.95oz)	



## 2. FEATURES

3-POLE FERRITE MOTOR  
 LONG LIFE POTENTIOMETER  
 1-OILITE BUSHING AND 1-BALL BEARING  
 INDIRECT POTENTIOMETER DRIVE  
 HYBRID I.C

## 3. APPLICATIONS

AIRCRAFT UP TO 10 POUNDS  
 STEERING SERVO FOR ON-ROAD 1/12TH 1/10 ELECTRIC  
 FAST ELECTRIC BOATS