

Spektrum™ Avian™ Outrunner Brushless Motor Instruction Manual

NOTICE

All instructions, warranties and other collateral documents are subject to change at the sole discretion of Horizon Hobby, LLC. For up-to-date product literature, visit horizonhobby.com or towerhobbies.com and click on the support or resources tab for this product.

Meaning of Special Language

The following terms are used throughout the product literature to indicate various levels of potential harm when operating this product:

WARNING: Procedures, which if not properly followed, create the probability of property damage, collateral damage, and serious injury OR create a high probability of superficial injury.

CAUTION: Procedures, which if not properly followed, create the probability of physical property damage AND a possibility of serious injury.

NOTICE: Procedures, which if not properly followed, create a possibility of physical property damage AND a little or no possibility of injury.

WARNING: Read the ENTIRE instruction manual to become familiar with the features of the product before operating. Failure to operate the product correctly can result in damage to the product, personal property and cause serious injury.

This is a sophisticated hobby product. It must be operated with caution and common sense and requires some basic mechanical ability. Failure to operate this Product in a safe and responsible manner could result in injury or damage to the product or other property. This product is not intended for use by children without direct adult supervision. Do not attempt disassembly, use with incompatible components or augment product in any way without the approval of Horizon Hobby, LLC. This manual contains instructions for safety, operation and maintenance. It is essential to read and follow all the instructions and warnings in the manual, prior to assembly, setup or use, in order to operate correctly and avoid damage or serious injury.

Age Recommendation: Not for children under 14 years. This is not a toy.

NOTICE: This product is only intended for use with unmanned, hobby-grade, remote-controlled vehicles and aircraft. Horizon Hobby disclaims all liability outside of the intended purpose and will not provide warranty service related thereto.

Building a power system

Electric power systems need to be matched to the needs of your aircraft. There are several important variables you must choose for your electric motor power system, and changing any one of those variables will change how the power system performs. Estimate your aircraft's all up weight, and begin your calculations by deciding how much power you demand for your aircraft and your style of flying.

- If your aircraft has moderate performance (for a trainer to a moderate sport plane): 75–125 watts per pound.
- If your aircraft is high performance (for high speed, 3D or other high performance aircraft): 175–250 watts per pound.

Watts are determined by multiplying volts and amps (current). Review the motor data and select a motor capable of delivering constant watts to meet your aircraft's needs, and is rated to spin a propeller suitable for your airframe.

| Motor | |
|---|--|
| Description | 40cc equivalent |
| Includes | Radial motor mount, prop hub, 6mm male bullet connectors for ESC |
| Diameter | 80mm |
| Length | 86mm mount to prop mounting face |
| Kv | 200 |
| Weight | 871 grams (including radial mount and prop adapter) |
| Shaft Diameter | 10mm threaded shaft |
| Poles | 28 |
| Motor Connectors | 6mm female bullet installed |
| Constant Watts | 3000 watts on 12S, the power limit is reduced with less voltage |
| Peak Surge Current (10 seconds) | 100 amps |
| Recommended LiPo | 12S |
| Inductance(uH) | 37.2 |
| Resistance (mΩ) | 28.5 |
| Io (8.4V) | 2.2A |
| Maximum temperature (on outside of motor) | 176F (80C) |
| Recommended propeller | 22 x 10 on 12S for 3D* |
| Aircraft Weight (Sport) | up to 25 pounds |
| Aircraft Weight (3D) | up to 15 pounds |
| Power System Recommendation | 120amp ESC minimum |

Selecting a propeller

Selecting a motor will narrow down the propeller options, but choosing the propeller and battery can vastly affect the power system performance. Expect to test a variety of propeller sizes to find what works best for your aircraft and flying style.

The first number on the propeller is the diameter in inches. The second number represents the pitch and is written as the number of inches the propeller will move forward in one revolution. Increasing either the pitch or the diameter will increase current draw. A small propeller with large pitch may draw similar current as a larger propeller with smaller pitch, but they will have very different flight performance. A small diameter propeller with a large pitch will deliver more speed, at the expense of pulling power for vertical maneuvers and aerobatics. A larger diameter propeller with a smaller pitch will not deliver as much speed, but has more pulling power for 3D aerobatics or vertical climbs.

Be aware of ground clearance as well. Having enough room to swing a large propeller often becomes the limiting factor in choosing a power system. Before you start searching for a suitable propeller, research the maximum diameter propeller for your airframe. Always balance propellers before use. A well balanced propeller will improve efficiency, make the aircraft run smoother and quieter, and will reduce wear on your motor mount and airframe. A poorly balanced propeller can cause damage to an airframe if vibration is ignored.

Selecting a battery

We recommend Spektrum Smart batteries to go along with the power system. Changing the cell count of the battery can vastly affect the power system performance. Review your motor specifications for the range of battery ratings (voltage) your motor is rated for. Choose a battery based on the dimensions of your aircraft, balance needs for your aircraft (CG), cell count (voltage), and your estimated maximum current.

TIP: Voltage (cell count) determines how fast a motor will spin, and capacity (mAh) determines how long the battery charge will last.

TIP: You can use the volts x current = watts equation to estimate your current at different voltage. Watts/volts = current. Use this equation to determine your expected current with different battery cell count (voltage).

TIP: LiPo batteries have a "C" rating. This determines the maximum current the battery is rated to deliver. Multiply the battery's capacity (mAh) and the C rating to determine the maximum current the battery is rated to deliver.

Selecting an ESC

Choose an ESC that is able to handle more than the maximum estimated current. Selecting the next size up is often a wise choice to leave a buffer. Separately, consider how much current the servos being used on your aircraft will draw if you are going to be powering the receiver from an integrated BEC on the ESC. We recommend Spektrum Smart ESCs to pair with Smart batteries and these Avian motors. When used with a Smart compatible telemetry receiver and transmitter, you can determine important power system data without additional equipment. All of the metrics you need to properly set up and understand your power system are available on your transmitter screen with this system including current, voltage, RPM (pole count required to be input into Smart ESC telemetry setup screen for RPM) and more.

Propeller adapters

Determine what type of propeller adapter you plan to use in preparation for mounting the motor.

- For prop saver style mounts always use quality O-rings and ensure the rubber is in good condition and well secured before connecting power to the aircraft.
- For collet style propeller adapters be sure the nut is securely tightened so the motor shaft cannot slip, however further tightening is not necessary and may damage the collet.
- For directly mounted propeller adapters use a small amount of removable thread lock and tighten the mounting screws in a star pattern to ensure it is centered on the motor.

Motor installation

Determine what type of motor mount you plan to use in preparation for mounting the motor. Be aware of the length of mounting screws extending into the motor. Take into account the thickness of the firewall and never allow motor mounting screws to come into contact with the wires inside the motor (motor windings). If the mounting screws are tightened onto the motor windings there is a good chance the windings will be permanently damaged. Damage caused during installation is not covered under warranty.

Connecting the motor

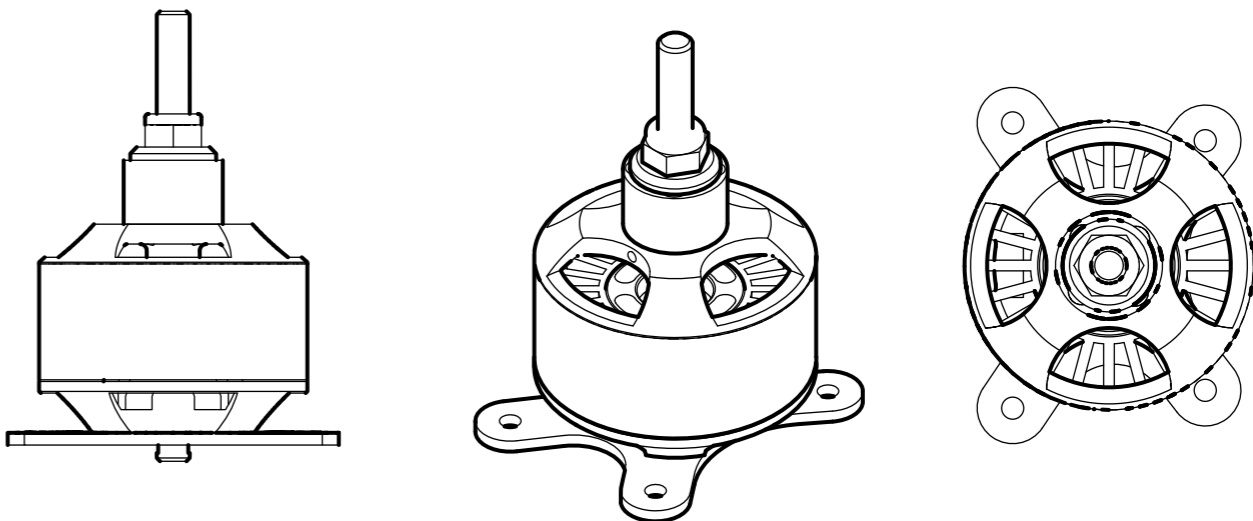
The motor wires may be connected to the ESC in any order. If you need to reverse the motor direction, trade any two of the three connectors.

Power System Testing

If you do not have power system data through telemetry you will need to source a power meter (watt meter) to measure how many watts your power system is pulling and how well your batteries are holding up voltage under load. Testing and tuning your power system may be as simple as checking you are within the specifications, or it may come down to changing the propeller or battery to suit your needs.

Conduct ground testing first, once performance is verified proceed to flight testing. If you decide to increase the propeller size or battery cell count after your first flights, you will need to go back to ground testing to check power consumption before proceeding to more flights.

TIP: A power system is only as good as the battery supplying the power. Always begin power system testing with a fully charged battery known to be in good operating condition, and monitor the voltage during testing for signs of the battery's aptitude to handle the power demands. With no load the battery voltage will be highest, and it will be lowest at full throttle. The more power (watts) you demand from the battery, the more the voltage will sag, which is normal. Learning how to understand voltage sag is import because it is an important indicator of a battery's health and how suitable that battery is for a given application. Batteries with a higher C rating will have less voltage sag under power demands, which is why they can deliver more power. At no time during testing should battery voltage drop below 3.0 volts per cell (for LiPo type batteries, other batteries types will vary). Do the math for your battery cell count and never let the voltage drop below that value. When a battery is new and operating to full potential it will hold the voltage up better under load, and as a battery is used and abused it will loose its ability to hold voltage up under load (power demands). The motor RPM is directly related to the voltage, so if the voltage sags the motor slows down. The result of this in real life is a new battery is powerful and seems fresh, and old batteries cannot deliver the power they did when new and seem sluggish. If you are testing with an old battery that cannot deliver sufficient current without the voltage sagging, you will not see the actual performance capabilities of the power system.



***IMPORTANT:** The recommended propeller on 12S is only for 3D and extreme aerobatic flying when maximum maximum performance is required, and full throttle is only used in short bursts. A smaller propeller or 8S-10S LiPo is recommended for sport flying where long, sustained full-throttle usage is intended. Propellers designed for electric only use are highly recommended. Propellers for gasoline engines are heavier and will cause the motor to draw excess current.

SPMX-1015 Avian Outrunner Brushless Motor: 8086-200KV 24 Pole (40cc) Ground Testing

WARNING: Always secure your aircraft prior to ground testing. Do not stand in front of a spinning propeller or reach around a propeller to make adjustments during testing. Failure to heed this warning may result in severe physical injury.

A power system will usually draw more power on the ground when testing static thrust than it will when the system is being used in flight, so it is reasonable to expect it will be drawing less power in flight if you are within the limits on the ground. Be aware, however, that airflow for cooling won't be as good on the ground as it should be in the air (with sufficiently good airframe design), so you need to monitor your power system temperatures during testing to prevent overheating.

Begin testing with the battery and propeller you chose to verify the power system is operating within the specifications of the motor, ESC and battery. You should find the watts does not exceed the motor's rating for continuous wattage, but if it does, never exceed the burst rating for wattage. If you exceed the continuous wattage, you should be aware of the throttle setting where you exceed that value and be cautious not to use throttle settings above that for any extended time period. If the wattage exceeds the burst rating for your motor during testing, you will need to make a change to the power system to prevent overloading the motor. If you overload the motor and continue to operate it, the motor will overheat which may cause permanent damage. If you need to reduce the wattage your motor is pulling, you may change the propeller or change the battery (voltage/cell count). Reducing the propeller diameter or pitch will reduce power consumed, and going to a lower cell count battery will also reduce power consumption. Double check your math for watts per pound with actual values instead of estimates, and proceed to flight testing as long as everything is aligned with your original estimates.

Flight Testing

Fly the aircraft in the manner you plan to normally fly it. If this includes high speed aggressive flying, or 3D aerobatics be sure to land frequently and check the power system components temperature to make sure nothing is getting hot. If you want more speed, consider reducing the diameter and increasing the pitch of your propeller. If you want more pulling power for aerobatics and hovering type of maneuvers consider going to a larger diameter with a smaller pitch. If you go up with one number and down with the other you can make the change with minimal impact on the wattage consumed. If you only go up with one of the numbers you need to go back to ground testing to verify you aren't pulling too much power. If you want a lot more power and have enough overhead with the wattage you are putting through the motor, you can go to a larger cell count battery. Be aware going to a higher cell count battery will draw a lot more power because the motor will spin faster, so you will need to go back to ground testing and you might need to reduce the propeller size and/or pitch to keep the power system operating within the specifications.

What this Warranty Covers

Horizon Hobby, LLC, (Horizon) warrants to the original purchaser that the product purchased (the "Product") will be free from defects in materials and workmanship for a period of 1 year from the date of purchase.

What is Not Covered

This warranty is not transferable and does not cover (i) cosmetic damage, (ii) damage due to acts of God, accident, misuse, abuse, negligence, commercial use, or due to improper use, installation, operation or maintenance, (iii) modification of or to any part of the Product, (iv) attempted service by anyone other than a Horizon Hobby authorized service center, (v) Product not purchased from an authorized Horizon dealer, (vi) Product not compliant with applicable technical regulations, or (vii) use that violates any applicable laws, rules, or regulations.

OTHER THAN THE EXPRESS WARRANTY ABOVE, HORIZON MAKES NO OTHER WARRANTY OR REPRESENTATION, AND HEREBY DISCLAIMS ANY AND ALL IMPLIED WARRANTIES, INCLUDING, WITHOUT LIMITATION, THE IMPLIED WARRANTIES OF NON-INFRINGEMENT, MERCHANTABILITY AND FITNESS FOR A PARTICULAR PURPOSE. THE PURCHASER ACKNOWLEDGES THAT THEY ALONE HAVE DETERMINED THAT THE PRODUCT WILL SUITABLY MEET THE REQUIREMENTS OF THE PURCHASER'S INTENDED USE.

Purchaser's Remedy

Horizon's sole obligation and purchaser's sole and exclusive remedy shall be that Horizon will, at its option, either (i) service, or (ii) replace, any Product determined by Horizon to be defective. Horizon reserves the right to inspect any and all Product(s) involved in a warranty claim. Service or replacement decisions are at the sole discretion of Horizon. Proof of purchase is required for all warranty claims. SERVICE OR REPLACEMENT AS PROVIDED UNDER THIS WARRANTY IS THE PURCHASER'S SOLE AND EXCLUSIVE REMEDY.

Limitation of Liability

HORIZON SHALL NOT BE LIABLE FOR SPECIAL, INDIRECT, INCIDENTAL OR CONSEQUENTIAL DAMAGES, LOSS OF PROFITS OR PRODUCTION OR COMMERCIAL LOSS IN ANY WAY, REGARDLESS OF WHETHER SUCH CLAIM IS BASED IN CONTRACT, WARRANTY, TORT, NEGLIGENCE, STRICT LIABILITY OR ANY OTHER THEORY OF LIABILITY, EVEN IF HORIZON HAS BEEN ADVISED OF THE POSSIBILITY OF SUCH DAMAGES. Further, in no event shall the liability of Horizon exceed the individual price of the Product on which liability is asserted. As Horizon has no control over use, setup, final assembly, modification or misuse, no liability shall be assumed nor accepted for any resulting damage or injury. By the act of use, setup or assembly, the user accepts all resulting liability. If you as the purchaser or user are not prepared to accept the liability associated with the use of the Product, purchaser is advised to return the Product immediately in new and unused condition to the place of purchase.

Law

These terms are governed by Illinois law (without regard to conflict of law principals). This warranty gives you specific legal rights, and you may also have other rights which vary from state to state. Horizon reserves the right to change or modify this warranty at any time without notice.

WARRANTY SERVICES

Questions, Assistance, and Services

Your local hobby store and/or place of purchase cannot provide warranty support or service. Once assembly, setup or use of the Product has been started, you must contact your local distributor or Horizon directly. This will enable Horizon to better answer your questions and service you in the

event that you may need any assistance. For questions or assistance, please visit our website at www.horizonhobby.com, submit a Product Support Inquiry, or call the toll free telephone number referenced in the Warranty and Service Contact Information section to speak with a Product Support representative.

Inspection or Services

If this Product needs to be inspected or serviced and is compliant in the country you live and use the Product in, please use the Horizon Online Service Request submission process found on our website or call Horizon to obtain a Return Merchandise Authorization (RMA) number. Pack the Product securely using a shipping carton. Please note that original boxes may be included, but are not designed to withstand the rigors of shipping without additional protection. Ship via a carrier that provides tracking and insurance for lost or damaged parcels, as Horizon is not responsible for merchandise until it arrives and is accepted at our facility. An Online Service Request is available at http://www.horizonhobby.com/content/service-center_render-service-center. If you do not have internet access, please contact Horizon Product Support to obtain a RMA number along with instructions for submitting your product for service. When calling Horizon, you will be asked to provide your complete name, street address, email address and phone number where you can be reached during business hours. When sending product into Horizon, please include your RMA number, a list of the included items, and a brief summary of the problem. A copy of your original sales receipt must be included for warranty consideration. Be sure your name, address, and RMA number are clearly written on the outside of the shipping carton.

NOTICE: Do not ship LiPo batteries to Horizon. If you have any issue with a LiPo battery, please contact the appropriate Horizon Product Support office.

Warranty Requirements

For Warranty consideration, you must include your original sales receipt verifying the proof-of-purchase date. Provided warranty conditions have been met, your Product will be serviced or replaced free of charge. Service or replacement decisions are at the sole discretion of Horizon.

Non-Warranty Service

Should your service not be covered by warranty, service will be completed and payment will be required without notification or estimate of the expense unless the expense exceeds 50% of the retail purchase cost. By submitting the item for service you are agreeing to payment of the service without notification. Service estimates are available upon request. You must include this request with your item submitted for service. Non-warranty service estimates will be billed a minimum of ½ hour of labor. In addition you will be billed for return freight. Horizon accepts money orders and cashier's checks, as well as Visa, MasterCard, American Express, and Discover cards. By submitting any item to Horizon for service, you are agreeing to Horizon's Terms and Conditions found on our website http://www.horizonhobby.com/content/service-center_render-service-center.


ATTENTION: Horizon service is limited to Product compliant in the country of use and ownership. If received, a non-compliant Product will not be serviced. Further, the sender will be responsible for arranging return shipment of the un-serviced Product, through a carrier of the sender's choice and at the sender's expense. Horizon will hold non-compliant Product for a period of 60 days from notification, after which it will be discarded.


Warranty and Service Contact Information

| Country of Purchase | Horizon Hobby | Contact Information | Address |
|--------------------------|---|--|--|
| United States of America | Horizon Service Center (Repairs and Repair Requests) | servicecenter.horizonhobby.com/RequestForm/ | 2904 Research Rd. Champaign, Illinois 61822 USA |
| | Horizon Product Support (Product Technical Assistance) | productsupport@horizonhobby.com 877-504-0233 | |
| | Sales | websales@horizonhobby.com 800-338-4639 | |

FCC Information

Supplier's Declaration of Conformity

 This device complies with part 15 of the FCC Rules. Operation is subject to the following two conditions: (1) This device may not cause harmful interference, and (2) this device must accept any interference received, including interference that may cause undesired operation.

 **CAUTION:** Changes or modifications not expressly approved by the party responsible for compliance could void the user's authority to operate the equipment.

NOTE: This equipment has been tested and found to comply with the limits for a Class B digital device, pursuant to part 15 of the FCC Rules. These limits are designed to provide reasonable protection against harmful interference in a residential installation. This equipment generates, uses and can radiate radio frequency energy and, if not installed and used in accordance with the instructions, may cause harmful interference to radio communications. However, there is no guarantee that interference will not occur in a particular installation. If this equipment does

IC Information

CAN ICES-3 (B)/NMB-3(B)

This device contains license-exempt transmitter(s)/receivers(s) that comply with Innovation, Science, and Economic Development Canada's license-exempt RSS(s). Operation is subject to the following 2 conditions:

cause harmful interference to radio or television reception, which can be determined by turning the equipment off and on, the user is encouraged to try to correct the interference by one or more of the following measures:

Reorient or relocate the receiving antenna.

Increase the separation between the equipment and receiver.

Connect the equipment into an outlet on a circuit different from that to which the receiver is connected.

Consult the dealer or an experienced radio/TV technician for help.

Horizon Hobby, LLC
2904 Research Rd.,
Champaign, IL 61822
Email: compliance@horizonhobby.com
Web: HorizonHobby.com

1. This device may not cause interference.
2. This device must accept any interference, including interference that may cause undesired operation of the device.

HORIZON[®]
H O B B Y

Garantie und Service Informationen

Warnung

Ein ferngesteuertes Modell ist kein Spielzeug. Es kann, wenn es falsch eingesetzt wird, zu erheblichen Verletzungen bei Lebewesen und Beschädigungen an Sachgütern führen. Betreiben Sie Ihr RC-Modell nur auf freien Plätzen und beachten Sie alle Hinweise der Bedienungsanleitung des Modells wie auch der Fernsteuerung.

Garantiezeitraum

Exklusive Garantie Horizon Hobby LLC (Horizon) garantiert, dass dasgekaufte Produkt frei von Material- und Montagefehlern ist. Der Garantiezeitraum entspricht den gesetzlichen Bestimmung des Landes, in dem das Produkt erworben wurde. In Deutschland beträgt der Garantiezeitraum 6 Monate und der Gewährleistungszeitraum 18 Monate nach dem Garantiezeitraum

Einschränkungen der Garantie

(a) Die Garantie wird nur dem Erstkäufer (Käufer) gewährt und kann nicht übertragen werden. Der Anspruch des Käufers besteht in der Reparatur oder dem Tausch im Rahmen dieser Garantie. Die Garantie erstreckt sich ausschließlich auf Produkte, die bei einem autorisierten Horizon Händler erworben wurden. Verkäufe an dritte werden von dieser Garantie nicht gedeckt. Garantieansprüche werden nur angenommen, wenn ein gültiger Kaufnachweis erbracht wird. Horizon behält sich das Recht vor, diese Garantiebestimmungen ohne Anündigung zu ändern oder modifizieren und widerruft dann bestehende Garantiebestimmungen.

(b) Horizon übernimmt keine Garantie für die Verkaufbarkeit des Produktes, die Fähigkeiten und die Fitness des Verbrauchers für einen bestimmten Einsatzzweck des Produktes. Der Käufer allein ist dafür verantwortlich, zu prüfen, ob das Produkt seinen Fähigkeiten und dem vorgesehenen Einsatzzweck entspricht.

(c) Ansprüche des Käufers → Es liegt ausschließlich im Ermessen von Horizon, ob das Produkt, bei dem ein Garantiefall festgestellt wurde, repariert oder ausgetauscht wird. Dies sind die exklusiven Ansprüche des Käufers, wenn ein Defekt festgestellt wird.

Horizon behält sich vor, alle eingesetzten Komponenten zu prüfen, die in den Garantiefall einbezogen werden können. Die Entscheidung zur Reparatur oder zum Austausch liegt nur bei Horizon. Die Garantie schließt kosmetische Defekte oder Defekte, hervorgerufen durch höhere Gewalt, falsche Behandlung des Produktes, falscher Einsatz des Produktes, kommerziellen Einsatz oder Modifikationen irgendwelcher Art aus.

Die Garantie schließt Schäden, die durch falschen Einbau, falsche Handhabung, Unfälle, Betrieb, Service oder Reparaturversuche, die nicht von Horizon ausgeführt wurden aus.

Ausgeschlossen sind auch Fälle die bedingt durch (vii) eine Nutzung sind, die gegen geltendes Recht, Gesetze oder Regularien verstoßen haben. Rücksendungen durch den Käufer direkt an Horizon oder eine seiner Landesvertretung bedürfen der Schriftform.

Schadensbeschränkung

Horizon ist nicht für direkte oder indirekte Folgeschäden, Einkommensausfälle oder kommerzielle Verluste, die in irgendeinem Zusammenhang mit dem Produkt stehen verantwortlich, unabhängig ab ein Anspruch im Zusammenhang mit einem Vertrag, der Garantie oder der Gewährleistung erhoben werden. Horizon wird darüber hinaus keine Ansprüche aus einem Garantiefall akzeptieren, die über den individuellen Wert des Produktes

hinaus gehen. Horizon hat keinen Einfluss auf den Einbau, die Verwendung oder die Wartung des Produktes oder etwaiger Produktkombinationen, die vom Käufer gewählt werden. Horizon übernimmt keine Garantie und akzeptiert keine Ansprüche für in der folge auftretende Verletzungen oder Beschädigungen. Mit der Verwendung und dem Einbau des Produktes akzeptiert der Käufer alle aufgeführten Garantiebestimmungen ohne Einschränkungen und Vorbehalte.

Wenn Sie als Käufer nicht bereit sind, diese Bestimmungen im Zusammenhang mit der Benutzung des Produktes zu akzeptieren, werden Sie gebeten, dass Produkt in unbenutztem Zustand in der Originalverpackung vollständig bei dem Verkäufer zurückzugeben.

Sicherheitshinweise

Dieses ist ein hochwertiges Hobby Produkt und kein Spielzeug. Es muss mit Vorsicht und Umsicht eingesetzt werden und erfordert einige mechanische wie auch mentale Fähigkeiten. Ein Versagen, das Produkt sicher und umsichtig zu betreiben kann zu Verletzungen von Lebewesen und Sachbeschädigungen erheblichen Ausmaßes führen. Dieses Produkt ist nicht für den Gebrauch durch Kinder ohne die Aufsicht eines Erziehungsberechtigten vorgesehen. Die Anleitung enthält Sicherheitshinweise und Vorschriften sowie Hinweise für die Wartung und den Betrieb des Produktes. Es ist unabdingbar, diese Hinweise vor der ersten Inbetriebnahme zu lesen und zu verstehen. Nur so kann der falsche Umgang verhindert und Unfälle mit Verletzungen und Beschädigungen vermieden werden.

Fragen, Hilfe und Reparaturen

Ihr lokaler Fachhändler und die Verkaufstelle können eine Garantiebeurteilung ohne Rücksprache mit Horizon nicht durchführen. Dies gilt auch für Garantiereparaturen. Deshalb kontaktieren Sie in einem solchen Fall den Händler, der sich mit Horizon kurz schließen wird, um eine sachgerechte Entscheidung zu fällen, die Ihnen schnellst möglich hilft.

Wartung und Reparatur

Muss Ihr Produkt gewartet oder repariert werden, wenden Sie sich entweder an Ihren Fachhändler oder direkt an Horizon.

Rücksendungen / Reparaturen werden nur mit einer von Horizon vergebenen RMA Nummer bearbeitet. Diese Nummer erhalten Sie oder ihr Fachhändler vom technischen Service. Mehr Informationen dazu erhalten Sie im Serviceportal unter www.Horizonhobby.de oder telefonisch bei dem technischen Service von Horizon.

Packen Sie das Produkt sorgfältig ein. Beachten Sie, dass der Originalkarton in der Regel nicht ausreicht, um beim Versand nicht beschädigt zu werden. Verwenden Sie einen Paketdienstleister mit einer Tracking Funktion und Versicherung, da Horizon bis zur Annahme keine Verantwortung für den Versand des Produktes übernimmt. Bitte legen Sie dem Produkt einen Kaufbeleg bei, sowie eine ausführliche Fehlerbeschreibung und eine Liste aller eingesendeten Einzelkomponenten. Weiterhin benötigen wir die vollständige Adresse, eine Telefonnummer für Rückfragen, sowie eine Email Adresse.

Garantie und Reparaturen

Garantieanfragen werden nur bearbeitet, wenn ein Originalkaufbeleg von einem autorisierten Fachhändler beiliegt, aus dem der Käufer und das Kaufdatum hervorgeht. Sollte sich ein Garantiefall bestätigen wird das Produkt repariert oder ersetzt. Diese Entscheidung obliegt einzig Horizon Hobby.

Kostenpflichtige Reparaturen

Liegt eine kostenpflichtige Reparatur vor, erstellen wir einen Kostenvorschlag, den wir Ihrem Händler übermitteln. Die Reparatur wird erst vorgenommen, wenn wir die Freigabe des Händlers erhalten. Der Preis für die Reparatur ist bei Ihrem Händler zu entrichten. Bei kostenpflichtigen Reparaturen werden mindestens 30 Minuten Werkstattzeit und die Rückversandkosten in Rechnung gestellt. Sollten wir nach 90 Tagen keine Einverständniserklärung zur Reparatur vorliegen haben, behalten wir uns vor, das Produkt zu vernichten oder anderweitig zu verwerten.

ACHTUNG: Kostenpflichtige Reparaturen nehmen wir nur für Elektronik und Motoren vor. Mechanische Reparaturen, besonders bei Hubschraubern und RC-Cars sind extrem aufwendig und müssen deshalb vom Käufer selbst vorgenommen werden.

| | | | | 10/15 |
|-------------------|-----------------------------|-------------------------|--------------------|---------|
| Land des Kauf | Horizon Hobby | Telefon/E-mail Adresse | Adresse | |
| Europäische Union | Horizon Technischer Service | service@horizonhobby.de | Hanskampring 9 | |
| | Sales: Horizon Hobby GmbH | +49 (0) 4121 2655 100 | D 22885 Barsbüttel | Germany |

Rechtliche Informationen für die Europäische Union

CE EU Konformitätserklärung
Hiermit erklärt Horizon Hobby, LLC, dass das Gerät den folgenden

Richtlinien entspricht: EU-Richtlinie über elektromagnetische Verträglichkeit 2014/30/ EU; RoHS 2-Richtlinie 2011/65 / EU; RoHS 3-Richtlinie - Änderung 2011/65 / EU-Anhang II 2015/863.

Der vollständige Text der EU-Konformitätserklärung ist unter folgender Internetadresse abrufbar: https://www.horizonhobby.com/content/support-render-compliance.

Offizieller EU-Hersteller:

Horizon Hobby, LLC
2904 Research Road
Champaign, IL 61822 USA
Offizieller EU-Importeur:
Horizon Hobby, GmbH
Hanskampring 9
22885 Barsbüttel Germany

WEEE-HINWEIS:

Dieses Gerät ist gemäß der Europäischen Richtlinie 2012/19/EU über Elektro- und Elektronik-Altgeräte (WEEE) gekennzeichnet. Dieses Symbol weist darauf hin, dass dieses Produkt kein normaler Haushaltsabfall ist, sondern in einer entsprechenden Sammelstelle für Elektro- und Elektronik-Altgeräte entsorgt werden muss.

Moteur sans balais à cage tournante Spektrum™ Avian™ Manuel d'instructions

| REMARQUE |
|--|
| Toutes les instructions, garanties et autres documents de garantie sont sujets à la seule discrétion de Horizon Hobby, LLC. Veuillez, pour une littérature produits bien à jour, visiter www.horizonhobby.com ou www.lowerhobbies.com et cliquer sur l'onglet de support de ce produit. |
| Signification de certains termes spécifiques |
| Les termes suivants sont utilisés dans l'ensemble du manuel pour indiquer différents niveaux de danger lors de l'utilisation de ce produit : <p>AVERTISSEMENT : procédures qui, si elles ne sont pas suivies correctement, peuvent entraîner des dégâts matériels et des blessures graves OU engendrer une probabilité élevée de blessure superficielle.</p> <p>ATTENTION: procédures qui, si elles ne sont pas suivies correctement, peuvent entraîner des dégâts matériels ET des blessures graves.</p> <p>REMARQUE: procédures qui, si elles ne sont pas suivies correctement, peuvent entraîner des dégâts matériels ET éventuellement un faible risque de blessures.</p> |

⚠ AVERTISSEMENT : lisez la TOTALITÉ du manuel d'utilisation afin de vous familiariser avec les caractéristiques du produit avant de le faire fonctionner. Une utilisation incorrecte du produit peut entraîner sa détérioration, ainsi que des risques de dégâts matériels, voire de blessures graves.

Ceci est un produit de loisirs sophistiqué. Il doit être manipulé avec prudence et bon sens et requiert des aptitudes de base en mécanique. Toute utilisation irresponsable de ce produit ne respectant pas les principes de sécurité peut provoquer des blessures, entraîner des dégâts matériels et endommager le produit. Ce produit n'est pas destiné à être utilisé par des enfants sans la surveillance directe d'un adulte. N'essayez pas de démonter le produit, de l'utiliser avec des composants incompatibles ou d'en améliorer les performances sans l'accord d'Horizon Hobby, LLC. Ce manuel comporte des instructions relatives à la sécurité, au fonctionnement et à l'entretien. Il est capital de lire et de respecter la totalité des instructions et avertissements du manuel avant l'assemblage, le réglage et l'utilisation, ceci afin de manipuler correctement l'appareil et d'éviter tout dégât matériel ou toute blessure grave.

14 ans et plus. Ceci n'est pas un jouet.

REMARQUE : Ce produit est uniquement réservé à une utilisation avec des modèles réduits radiocommandés de loisir. Horizon Hobby se dégage de toute responsabilité et garantie si le produit est utilisé d'autre manière que celle citée précédemment.

Construire un système d'alimentation

Les systèmes d'alimentation électrique doivent correspondre aux besoins de votre appareil. Il y a plusieurs variables importantes que vous devez choisir pour votre système d'alimentation de moteur électrique et changer l'une de ces variables modifiera les performances du système d'alimentation. Évaluez le poids total maximal de votre appareil et commencez vos calculs en décidant de la puissance qui vous voulez pour votre appareil et de votre style de vol.

- Si votre appareil offre des performances moyennes (avion d'entraînement ou avion de sport à vitesse modérée) : 75 à 125 watts par livre.
- Si votre appareil offre des performances élevées (avion à grande vitesse, faisant des acrobaties 3D ou ayant des performances élevées) : 175 à 250 watts par livre.

Les watts sont déterminés en multipliant les volts par les ampères (courant). Consultez les données relatives au moteur et sélectionnez un moteur pouvant offrir un nombre de watts constant pour répondre aux besoins de votre appareil et qui a une puissance d'entrée permettant de faire tourner une hélice adaptée à votre cellule.

| Moteur | |
|--|--|
| Description | Équivalent à 40 cc |
| Inclut | Support de moteur radial, moyeu d'hélice, connecteurs cylindriques mâles 6 mm pour variateur ESC |
| Diamètre | 80 mm |
| Longueur | 86 mm du support à la face de montage de l'hélice |
| Kv | 200 |
| Poids | 871 grammes (support radial et adaptateur d'hélice compris) |
| Diamètre de l'arbre | Arbre fileté 10 mm |
| Pôles | 28 |
| Connecteurs du moteur | Connecteurs cylindriques femelles 6 mm installés |
| Watts constants | 3000 watts sur 12S, la limite de puissance est réduite en cas de tension inférieure. |
| Pointe de courant de crête (10 secondes) | 100 A |
| Li-Po recommandée | 12S |
| Inductance (uH) | 37,2 |
| Résistance (mΩ) | 28,5 |
| Courant de repos (8,4 V) | 2,2 A |
| Température maximale (sur l'extérieur du moteur) | 80 °C (176 °F) |
| Hélice recommandée | 22 x 10 sur 12S pour 3D* |
| Poids de l'appareil (sport) | jusqu'à 25 livres |
| Poids de l'appareil (3D) | jusqu'à 15 livres |
| Recommandation pour le système d'alimentation | Variateur ESC 120 A minimum |

Sélectionner une hélice

En sélectionnant un moteur, vous limitez votre choix en matière d'hélice. Toutefois, choisir l'hélice et la batterie peut affecter considérablement les performances du système d'alimentation. Testez diverses tailles d'hélice pour trouver celle qui convient le mieux à votre appareil et à votre style de vol.

Le premier nombre indiqué sur l'hélice correspond au diamètre en pouces. Le second nombre représente le tangage et correspond au nombre de pouces que l'hélice parcourt lorsqu'elle effectue un tour. Augmenter le tangage ou le diamètre entraîne une hausse de la consommation de courant. Une petite hélice ayant un tangage élevé peut consommer un courant identique à celui consommé par une hélice plus grande ayant un tangage plus petit, mais elles auront des performances de vol très différentes. Une hélice ayant un petit diamètre et un tangage élevé offre une vitesse élevée au détriment de la puissance de traction nécessaire pour effectuer des manœuvres verticales et des acrobaties. Une hélice ayant un diamètre plus large et un tangage plus petit ne fournit pas autant de vitesse mais a une puissance de traction plus élevée pour réaliser des acrobaties en 3D ou des montées verticales.

Tenez également compte de la garde au sol. Disposer de suffisamment d'espace pour faire osciller une grande hélice devient souvent le facteur restrictif au moment de choisir un système d'alimentation. Avant de commencer à rechercher une hélice qui convienne, recherchez l'hélice de diamètre maximal pour votre cellule.

Équilibrez toujours les hélices avant de les utiliser. Une hélice bien équilibrée améliore l'efficacité, permet à l'appareil de voler plus régulièrement et plus silencieusement et réduit également l'usure de la fixation du moteur et de la cellule. Une hélice mal équilibrée peut endommager une cellule si les vibrations sont ignorées.

Sélectionner une batterie

Nous vous recommandons d'utiliser des batteries Spektrum Smart avec le système d'alimentation. Changer le nombre de cellules de la batterie peut grandement affecter les performances du système d'alimentation. Consultez les spécifications de votre moteur pour connaître la plage de tension nominale (tension) de la batterie. Choisissez une batterie en fonction des dimensions de votre appareil, des besoins d'équilibrage de votre appareil (CG), du nombre de cellules (tension) et du courant maximum estimé.

CONSEIL : La tension (nombre de cellules) détermine la rapidité à laquelle tourne un moteur et la capacité (mAh) détermine le temps de charge de la batterie.

CONSEIL : Vous pouvez utiliser l'équation tension x courant = watts pour estimer le courant selon différentes tensions. Watts/volts = courant. Utilisez cette équation pour déterminer le courant que vous attendez avec un nombre de cellules de batterie (tension) différent.

CONSEIL : Les batteries LiPo ont une tension nominale « C ». Cela détermine le courant maximal que la batterie peut fournir. Multipliez la capacité de la batterie (mAh) et la tension nominale C pour déterminer le courant maximal que la batterie peut fournir.

Sélectionner un variateur ESC

Choisissez un variateur ESC qui peut gérer plus que le courant maximal estimé. Sélectionner la taille suivante est souvent un choix judicieux pour laisser une marge. D'autre part, prenez en compte le courant que les servos utilisés sur votre appareil consomment si vous alimentez le récepteur à l'aide d'un BEC intégré sur le variateur ESC. Nous vous recommandons d'apparier les ESC Spektrum Smart avec les batteries Smart et les moteurs Avian. Lorsqu'ils sont utilisés

avec un récepteur et un émetteur de télémétrie compatibles Smart, vous pouvez déterminer les données du système d'alimentation importantes sans équipement supplémentaire. Toutes les mesures dont vous avez besoin pour installez correctement et comprendre votre système d'alimentation sont disponibles sur l'écran de votre émetteur avec ce système, notamment le courant, la tension, le régime moteur (nombre de pôles requis à saisir dans l'écran de réglage de télémétrie de l'ESC Smart pour le régime moteur), etc.

Adaptateurs d'hélice

Déterminez quel type d'adaptateur d'hélice vous prévoyez d'utiliser lorsque vous préparez le montage du moteur.

- Pour les fixations de type économiseur de l'hélice, utilisez toujours des joints toriques de qualité et assurez-vous que le caoutchouc est en bon état et qu'il est bien fixé avant d'alimenter l'appareil.
- Pour les adaptateurs d'hélice de type à accouplement, veillez à ce que l'écrou soit correctement serré de sorte que l'arbre du moteur ne puisse pas glisser. Toutefois, il est inutile de trop serré car cela pourrait endommager l'accouplement.
- Pour les adaptateurs d'hélice à fixation directe, utilisez une petite quantité de frein-filet qui peut être retiré et serrez les vis de fixation selon un modèle en étoile afin qu'elles soient bien centrées sur le moteur.

Installation du moteur

Déterminez quel type de fixation du moteur vous prévoyez d'utiliser lorsque vous préparez le montage du moteur. Faites attention à la longueur des vis de fixation qui se prolongent dans le moteur. Tenez compte de l'épaisseur du pare-feu et ne laissez jamais les vis de fixation du moteur entrer en contact avec les câbles à l'intérieur du moteur (bobinages du moteur). Si les vis de fixation sont serrées sur les bobinages de moteur, il est fort probable que les bobinages soient endommagés de façon permanente. Les dégâts résultant d'une mauvaise installation ne sont pas pris en charge dans le cadre de la garantie.

Brancher le moteur

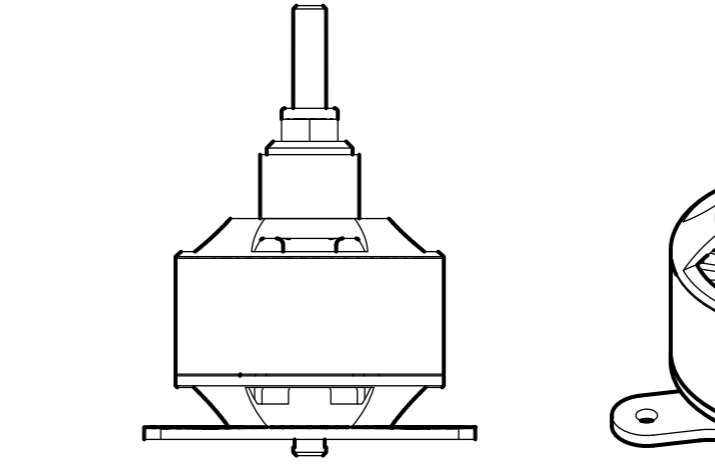
Les câbles du moteur peuvent être connectés au variateur ESC dans n'importe quel ordre. Si vous devez inverser la direction du moteur, échangez deux des trois connecteurs.

Test du système d'alimentation

Si vous n'avez pas de données de système d'alimentation via la télémétrie, vous aurez besoin d'alimenter un capteur de puissance (wattmètre) pour mesurer combien de watts votre système d'alimentation utilise et comment vos batteries maintiennent la tension sous la charge. Tester et régler votre système d'alimentation peut être aussi simple que vérifier si vous respectez bien les spécifications, sinon vous devrez changer l'hélice ou la batterie pour qu'elle corresponde à vos besoins.

Procédez d'abord à un test au sol. Une fois que les performances ont été vérifiées, effectuez un test en plein vol. Si vous décidez d'augmenter la taille de l'hélice ou le nombre de cellules de la batterie après vos premiers vols, vous devrez à nouveau effectuer un test au sol pour vérifier la consommation électrique avant d'effectuer plus de vols.

CONSEIL : Un système d'alimentation est aussi performant que la batterie qui fournit l'alimentation. Commencez toujours par tester le système d'alimentation avec une batterie pleinement chargée en bon état de fonctionnement et contrôlez la tension pendant que vous testez la capacité de la batterie à gérer les demandes d'alimentation. Avec aucune charge, la tension de la batterie sera la plus élevée et elle sera la plus basse à plein régime. Plus vous demandez de puissance (watts) à la batterie, plus la tension baissera, ce qui est normale. Apprendre à comprendre une baisse de tension est important car il s'agit d'un indicateur important de la santé d'une batterie et il indique si la batterie convient pour une application donnée. Les batteries avec une tension nominale C plus élevée auront une baisse de tension moins importante lors des demandes d'alimentation, c'est pourquoi elles peuvent fournir plus d'électricité. À aucun moment pendant le test, la tension de la batterie ne doit chuter en dessous de 3 volts par cellule (pour les batteries de type LiPo, d'autres types de batterie



***IMPORTANT** : L'hélice recommandée sur 12S est uniquement destinée aux acrobaties en 3D et extrêmes, lorsque des performances maximales sont requises et que le plein régime n'est utilisé que brièvement. Une plus petite hélice ou une LiPo 8S-10S est recommandée pour le vol sportif où une utilisation prolongée et soutenue à plein régime est prévue. Les hélices conçues pour une utilisation électrique uniquement sont fortement recommandées. Les hélices pour moteurs à essence sont plus lourdes et entraînent un excès de courant dans le moteur.

varient). Faites le calcul pour le nombre de cellules de votre batterie et ne laissez jamais la tension chuter en-dessous de cette valeur. Lorsqu'une batterie est nouvelle et fonctionne selon son plein potentiel, elle maintient mieux la tension sous la charge et étant donné qu'une batterie est utilisée et exploitée, elle perd de sa capacité à maintenir la tension sous la charge (demandes de puissance). Le régime moteur est directement associé à la tension, donc si la tension baisse, le moteur ralentit. Dans la réalité, une nouvelle batterie est puissante et neuve et les anciennes batteries ne peuvent pas fournir la puissance qu'elles fournissaient lorsqu'elles étaient neuves et semblent lentes. Si vous testez une ancienne batterie qui ne peut pas fournir un courant suffisant sans que la tension ne baisse, vous ne verrez pas les capacités de performance actuelles du système d'alimentation.

Test au sol

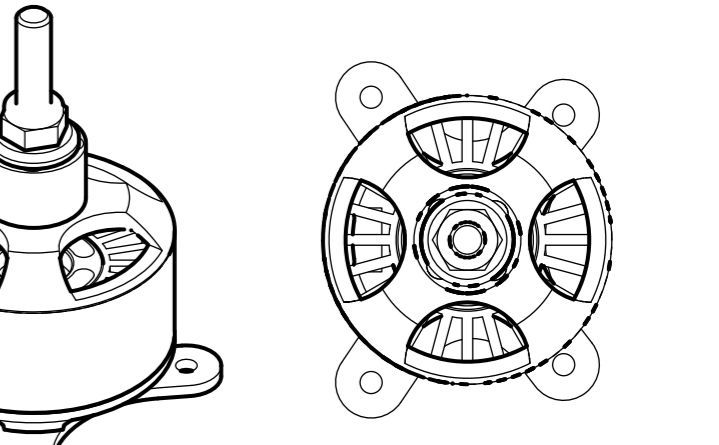
⚠ Avertissement : Fixez toujours votre appareil avant de procéder à un test au sol. Ne vous placez pas devant une hélice qui tourne ou autour d'une hélice pour effectuer des réglages pendant le test. Le non-respect de cet avertissement peut entraîner des blessures graves.

Un système d'alimentation consomme habituellement plus d'électricité au sol lorsque vous testez la poussée statique que lorsque le système est utilisé en plein vol. Vous devez donc vous attendre à ce que moins d'électricité ne soit consommée en plein vol si vous respectez les limites lorsque l'appareil est au sol. Cependant, ayez conscience que le flux d'air pour le refroidissement ne sera pas aussi performant au sol que dans les airs (avec un design de cellule suffisamment bon). Vous devez donc surveiller les température de votre système d'alimentation pendant le test pour éviter toute surchauffe.

Commencez le test avec la batterie et l'hélice que vous avez choisies afin de vérifier si le système d'alimentation fonctionne conformément aux spécifications du moteur, du variateur ESC et de la batterie. Vous devez trouvez les watts qui ne dépassent pas la tension nominale du moteur pour une puissance continue, mais si tel n'est pas le cas, ne dépassez jamais la tension nominale de rupture pour la puissance. Si vous dépassez la tension continue, vous devez avoir connaissance du réglage des gaz pour lequel vous avez dépassé cette valeur et faire attention à ne pas utiliser les réglages des gaz au-dessus de celui-ci pendant une longue période. Si la puissance dépasse la tension nominale de rupture pour votre moteur pendant le test, vous devez procéder à un changement au niveau du système d'alimentation pour éviter une surcharge du moteur. Si vous surchargez le moteur et que vous continuez à le faire fonctionner, le moteur surchauffera, ce qui entraînera des dommages permanents. Si vous devez réduire la puissance que votre moteur consomme, vous devrez sans doute changer l'hélice ou changer la batterie (tension/nombre de cellules). Réduire le diamètre de l'hélice ou le tangage diminue la puissance consommée de même qu'utiliser une batterie avec un nombre de cellules réduit diminue également la consommation électrique. Vérifiez deux fois votre calcul pour les watts par livre avec les valeurs réelles au lieu des estimations, et procédez à un test en vol tant que tout est aligné avec vos estimations d'origine.

Test en vol

Faites voler l'appareil de la façon prévue. Si cela implique un vol agressif à une vitesse élevée ou des acrobaties en 3D, veillez à faire atterrir fréquemment l'appareil et vérifiez la température du système d'alimentation pour vous assurer qu'aucune pièce n'est chaude. Si vous souhaitez plus de vitesse, envisagez de réduire le diamètre et d'augmenter le tangage de votre hélice. Si vous voulez plus de puissance de traction pour les acrobaties et le vol stationnaire, envisagez un diamètre plus large et un tangage plus petit. Si vous augmentez un nombre et réduisez l'autre, vous pouvez effectuer un changement avec le minimum d'impact sur la puissance consommée. Si vous augmentez seulement un des nombres, vous devez refaire un test au sol pour vérifier que vous ne consommez pas trop d'électricité. Si vous voulez une alimentation beaucoup plus importante et que la puissance qui passe dans le moteur est suffisante, vous pouvez utiliser une batterie avec un nombre de cellules plus élevé. Sachez qu'une batterie ayant un nombre de cellules plus important entraîne une consommation plus importante car le moteur tourne plus vite. Vous devrez alors refaire un test au sol et vous risquez de devoir réduire la taille de l'hélice et/ou le tangage afin que le système d'alimentation fonctionne conformément aux spécifications.



Garantie Limitée

Durée de la garantie

Garantie exclusive - Horizon Hobby, LLC (Horizon) garantit que le Produit acheté (le « Produit ») sera exempt de défauts matériels et de fabrication à sa date d'achat par l'Acheteur. La durée de garantie correspond aux dispositions légales du pays dans lequel le produit a été acquis. La durée de garantie est de 6 mois et la durée d'obligation de garantie de 18 mois à l'expiration de la période de garantie.

Limitations de la garantie

(a) La garantie est donnée à l'acheteur initial (« Acheteur ») et n'est pas transférable. Le recours de l'acheteur consiste en la réparation ou en l'échange dans le cadre de cette garantie. La garantie s'applique uniquement aux produits achetés chez un revendeur Horizon agréé. Les ventes faites à des tiers ne sont pas couvertes par cette garantie. Les revendications en garantie seront acceptées sur fourniture d'une preuve d'achat valide uniquement. Horizon se réserve le droit de modifier les dispositions de la présente garantie sans avis préalable et révoque alors les dispositions de garantie existantes.

(b) Horizon n'endosse aucune garantie quant à la vendabilité du produit ou aux capacités et à la forme physique de l'utilisateur pour une utilisation donnée du produit. Il est de la seule responsabilité de l'acheteur de vérifier si le produit correspond à ses capacités et à l'utilisation prévue.

(c) Recours de l'acheteur – Il est de la seule discrétion d'Horizon de déterminer si un produit présentant un cas de garantie sera réparé ou échangé. Ce sont là les recours exclusifs de l'acheteur lorsqu'un défaut est constaté.

Horizon se réserve la possibilité de vérifier tous les éléments utilisés et susceptibles d’être intégrés dans le cas de garantie. La décision de réparer ou de remplacer le produit est du seul ressort d'Horizon. La garantie exclut les défauts esthétiques ou les défauts provoqués par des cas de force majeure, une manipulation incorrecte du produit, une utilisation incorrecte ou commerciale de ce dernier ou encore des modifications de quelque nature qu’elles soient.

La garantie ne couvre pas les dégâts résultant d'un montage ou d'une manipulation erronés, d'accidents ou encore du fonctionnement ainsi que des tentatives d'entretien ou de réparation non effectuées par Horizon. Les retours effectués par le fait de l'acheteur directement à Horizon ou à l'une de ses représentations nationales requièrent une confirmation écrite.

Limitation des dommages

Horizon ne saurait être tenu pour responsable de dommages conséquents directs ou indirects, de pertes de revenus ou de pertes commerciales, liés de quelque manière que ce soit au produit et ce, indépendamment du fait qu'un recours puisse être formulé en relation avec un contrat, la garantie ou l'obligation de garantie. Par ailleurs, Horizon n'acceptera pas de recours issus d'un cas de garantie lorsque ces recours dépassent la valeur unitaire du produit. Horizon n'exerce aucune influence sur le montage, l'utilisation ou la maintenance du produit ou sur d'éventuelles combinaisons de produits choisis par l'acheteur. Horizon ne prend en compte aucune garantie et n'accepte aucun recours pour les blessures ou les dommages pouvant en résulter. Horizon Hobby ne saurait être tenu responsable d'une utilisation ne respectant pas les lois, les règles ou réglementations en vigueur.

En utilisant et en montant le produit, l'acheteur accepte sans restriction ni réserve toutes les dispositions relatives à la garantie figurant dans le présent document. Si vous n'êtes pas prêt, en tant qu'acheteur, à accepter ces dispositions en relation avec l'utilisation du produit, nous vous demandons de restituer au vendeur le produit complet, non utilisé et dans son emballage d'origine.

Indications relatives à la sécurité

Ceci est un produit de loisirs perfectionné et non un jouet. Il doit être utilisé avec précaution et bon sens et nécessite quelques aptitudes mécaniques ainsi que mentales. L'incapacité à utiliser le produit de manière sure et raisonnable peut provoquer des blessures et des dégâts matériels conséquents. Ce produit n'est pas destiné à être utilisé par des enfants sans la surveillance par un tuteur. La notice d'utilisation contient des indications relatives à la sécurité ainsi que des indications concernant la maintenance et le fonctionnement du produit. Il est absolument indispensable de lire et de comprendre ces indications avant la première mise en service. C'est uniquement ainsi qu'il sera possible d'éviter une manipulation erronée et des accidents entraînant des blessures et des dégâts. Horizon Hobby ne saurait être tenu responsable d'une utilisation ne respectant pas les lois, les règles ou réglementations en vigueur.

Questions, assistance et réparations

Votre revendeur spécialisé local et le point de vente ne peuvent effectuer une estimation d'éligibilité à l'application de la garantie sans avoir consulté Horizon. Cela vaut également pour les réparations sous garantie. Vous voudrez bien, dans un tel cas, contacter le revendeur qui conviendra avec Horizon d'une décision appropriée, destinée à vous aider le plus rapidement possible.

Maintenance et réparation

Si votre produit doit faire l'objet d'une maintenance ou d'une réparation, adressez-vous soit à votre revendeur spécialisé, soit directement à Horizon. Emballez le produit soigneusement. Veuillez noter que le carton d'emballage d'origine ne suffit pas, en règle générale, à protéger le produit des dégâts pouvant survenir pendant le transport. Faites appel à un service de messagerie proposant une fonction de suivi et une assurance, puisque Horizon ne prend aucune responsabilité pour l'expédition du produit jusqu'à sa réception acceptée. Veuillez joindre une preuve d'achat, une description détaillée des défauts ainsi qu'une liste de tous les éléments distincts envoyés. Nous avons de plus besoin d'une adresse complète, d'un numéro de téléphone (pour demander des renseignements) et d'une adresse de courriel.

Garantie et réparations

Les demandes en garantie seront uniquement traitées en présence d'une preuve d'achat originale émanant d'un revendeur spécialisé agréé, sur laquelle figurent le nom de l'acheteur ainsi que la date d'achat. Si le cas de garantie est confirmé, le produit sera réparé. Cette décision relève uniquement d'Horizon Hobby.

Réparations payantes

En cas de réparation payante, nous établissons un devis que nous transmettons à votre revendeur. La réparation sera seulement effectuée après que nous ayons reçu la confirmation du revendeur. Le prix de la réparation devra être acquitté au revendeur. Pour les réparations payantes, nous facturons au minimum 30 minutes de travail en atelier ainsi que les frais de réexpédition. En l'absence d'un accord pour la réparation dans un délai de 90 jours, nous nous réservons la possibilité de détruire le produit ou de l'utiliser autrement.

ATTENTION: Nous n'effectuons de réparations payantes que pour les composants électroniques et les moteurs. Les réparations touchant à la mécanique, en particulier celles des hélicoptères et des voitures radiocommandées, sont extrêmement coûteuses et doivent par conséquent être effectuées par l'acheteur lui-même.

10/15

Informations de contact pour garantie et réparation

| Pays d'achat | Horizon Hobby | Numéro de téléphone/E-mail | Adresse |
|----------------|-----------------------------|----------------------------|---|
| European Union | Horizon Technischer Service | service@horizonhobby.eu | Hanskampring 9 D 22885 Barsbüttel Germany |
| | Sales: Horizon Hobby GmbH | +49 (0) 4121 2655 100 | |

Informations IC

CAN ICES-3 (B)/NMB-3(B)

Ce dispositif contient un/des émetteur(s)/ récepteur(s) non soumis à licence conforme(s) aux CNR d'Innovation, Sciences et Développement économique Canada. Son utilisation est soumise aux deux conditions suivantes :

Informations de conformité pour l'Union européenne

CE Déclaration de conformité de l'Union européenne : Par la présente, Horizon Hobby, LLC déclare que cet appareil est conforme aux directives suivantes : Directive CEM 2014/30/UE; Directive RoHS 2 2011/65/UE; Directive RoHS 3 - Modifiant 2011/65/UE Annexe II 2015/863. Le texte complet de la déclaration de conformité UE est disponible à l'adresse Internet suivante : https://www.horizonhobby.com/content/support-render-compliance.

Fabricant officiel de l'UE:

Horizon Hobby, LLC
2904 Research Road
Champaign, IL 61822 USA
Importateur officiel de l'UE:
Horizon Hobby, GmbH
Hanskampring 9
22885 Barsbüttel Germany

DIRECTIVE DEEE:



L'étiquette de cet appareil respecte la directive européenne 2012/19/UE en matière de déchets des équipements électriques et électroniques (DEEE). Cette étiquette indique que ce produit ne doit pas être jeté avec les déchets ménagers, mais déposé dans une installation appropriée afin de permettre sa récupération et son recyclage.

Motore Brushless Outrunner Spektrum™ Avian™ Manuale di istruzioni

| AVVISO |
|--|
| Tutte le istruzioni, le garanzie e gli altri documenti pertinenti sono soggetti a cambiamenti a totale discrezione di Horizon Hobby, LLC. Per una documentazione aggiornata sul prodotto, visitare il sito horizonhobby.com o towerhobbies.com e fare clic sulla sezione Support del prodotto. |

Significato di termini specialistici

Nella documentazione relativa al prodotto vengono utilizzati i seguenti termini per indicare i vari livelli di pericolo potenziale durante l’uso del prodotto:
AVVERTENZA: indica procedure che, se non debitamente seguite, determinano il rischio di danni alle cose, danni collaterali e gravi lesioni alle persone O il rischio elevato di lesioni superficiali alle persone.
ATTENZIONE: indica procedure che, se non debitamente seguite, determinano il rischio di danni alle cose E di gravi lesioni alle persone.
AVVISO: indica procedure che, se non debitamente seguite, possono determinare il rischio di danni alle cose E il rischio minimo o nullo di lesioni alle persone.

AVVERTENZA: leggere TUTTO il manuale di istruzioni e familiarizzare con le caratteristiche del prodotto prima di farlo funzionare. Un uso improprio del prodotto può causare danni al prodotto stesso e alle altre cose e gravi lesioni alle persone.

Questo aeromodello è un prodotto sofisticato per appassionati di modellismo. Deve essere azionato in maniera attenta e responsabile e richiede alcune conoscenze basilari di meccanica. L'uso improprio o irresponsabile di questo prodotto può causare lesioni alle persone e danni al prodotto stesso o alle altre cose. Questo prodotto non deve essere utilizzato dai bambini senza la diretta supervisione di un adulto. Non tentare in nessun caso di smontare il prodotto, di utilizzarlo con componenti non compatibili o di potenziarlo senza previa approvazione di Horizon Hobby, LLC. Questo manuale contiene le istruzioni per la sicurezza, l’uso e la manutenzione del prodotto. È fondamentale leggere e seguire tutte le istruzioni e le avvertenze del manuale prima di montare, impostare o utilizzare il prodotto, al fine di utilizzarlo correttamente e di evitare di causare danni alle cose o gravi lesioni alle persone.

Almeno 14 anni. Non è un giocattolo.

AVVISO: Questo prodotto è rivolto esclusivamente a veicoli ed aerei di tipo hobbistico senza pilota a bordo e controllati a distanza. Al di fuori di questo utilizzo, Horizon Hobby declina ogni responsabilità e non riconosce interventi in garanzia.

Scelta del motore

Il sistema di propulsione elettrica deve corrispondere alle esigenze del modello sui cui viene installato. Diverse sono le variabili importanti che entrano in gioco nella scelta della configurazione di un sistema di propulsione con motore elettrico e modificare anche una sola di queste variabili influisce sulle prestazioni del sistema. Si parte dalla stima del peso complessivo del modello per determinare la potenza che si desidera avere, tenendo anche conto del proprio stile di pilotaggio.

- Per i modelli a prestazioni moderate (trainer o aerei sportivi a prestazioni non elevate): 75-125 watt ogni 450 g circa.
- Per i modelli ad alte prestazioni (aerei ad alta velocità, per volo 3D o altre alte prestazioni): 175-250 watt ogni 450 g circa.

I watt si determinano moltiplicando i volt e gli ampere (corrente). Esaminare le specifiche dei motori e selezionare il modello con potenza in watt costanti tale da soddisfare le esigenze dell'aeromodello e compatibile con eliche a loro volta compatibili con la cellula del modello.

| Motore | |
|--|--|
| Descrizione | 40 cc equivalente |
| Include | Supporto motore radiale, mozzo elica, spinotti cilindrici maschi da 6 mm per l’ESC |
| Diametro | 80 mm |
| Lunghezza | Montaggio da 86 mm alla superficie di montaggio dell’elica |
| Kv | 200 |
| Peso | 871 grammi (incluso supporto radiale e adattatore elica) |
| Diametro albero | Albero filettato da 10 mm |
| Poli | 28 |
| Connettori motore | Spinotti cilindrici femmina da 6 mm installati |
| W costanti | 3000 W su 12S, il limite di potenza si riduce con una tensione inferiore |
| Corrente di picco di sovratensione (10 s) | 100 A |
| LiPo consigliata | 12S |
| Induttanza (uH) | 37,2 |
| Resistenza (mΩ) | 28,5 |
| Io (8,4 V) | 2,2A |
| Temperatura massima (all'esterno del motore) | 80 °C (176 °F) |
| Elica consigliata | 22 x 10 su 12S per 3D* |
| Peso aereo (Sport) | Fino a 11,3 kg |
| Peso aereo (3D) | Fino a 6,8 kg |
| Configurazione consigliata | 120 A ESC minimo |

Scelta dell’elica

La scelta del motore restringe le possibilità di scelta in termini di elica, ma la scelta dell’elica e della batteria possono influenzare notevolmente le prestazioni del sistema di propulsione. Tenetevi pronti a provare eliche di dimensioni diverse per trovare quella che meglio si adatta al modello e al vostro stile di pilotaggio.

Il primo numero sull’elica ne indica il diametro in pollici. Il secondo numero rappresenta il passo e viene indicato sotto forma della distanza, misurata in pollici, che l’elica percorre in un giro completo. Aumentare il passo o il diametro significa aumentare l’assorbimento di corrente. Un’elica di piccolo diametro con passo grande può assorbire corrente come un’elica più grande ma con passo più piccolo, ma le prestazioni in volo saranno molto diverse. Un’elica piccola con passo grande fornisce più velocità, a scapito della potenza di trazione per le manovre verticali e acrobatiche. Un’elica di diametro maggiore con passo più piccolo non fornisce altrettanta velocità, ma eroga più potenza di trazione per le acrobazie 3D o le salite verticali. Bisogna poi prestare attenzione anche alla distanza da terra. Avere spazio sufficiente per consentire la rotazione di un’elica grande spesso diventa il fattore limitante nella scelta del sistema di propulsione. Prima di mettersi alla ricerca dell’elica da montare è necessario verificare il diametro massimo che il modello è in grado di accettare. Bilanciare sempre le eliche prima dell’uso. Un’elica ben bilanciata ne migliora l’efficienza, rende la corsa dell’aereo più dolce e silenziosa e riduce l’usura della cellula e del supporto motore. Un’elica mal bilanciata può causare danni alla cellula se le vibrazioni vengono ignorate.

Scelta della batteria

Per il sistema di propulsione, consigliamo l’uso delle batterie Spektrum Smart. Il numero di celle della batteria può influire notevolmente sulle prestazioni del sistema di propulsione. Esaminare le specifiche del motore per determinare la gamma dei valori nominali (tensione) della classe di batterie con cui è compatibile. La batteria va scelta tenendo conto delle dimensioni del modello, delle esigenze di bilanciamento (CG), del numero di celle (tensione) e della corrente massima stimata.

CONSIGLIO: la tensione (numero di celle) determina la velocità di rotazione del motore, mentre la capacità (mAh) determina la durata della carica della batteria.

CONSIGLIO: è possibile usare l’equazione volt x corrente = watt per stimare la corrente alle diverse tensioni. Watt/volt = corrente. Utilizzare questa equazione per determinare la corrente che ci si può aspettare da una batteria con un numero diverso di celle (tensione).

CONSIGLIO: le batterie LiPo sono classificate come di grado "C". Questo valore indica la corrente massima che la batteria può erogare. Moltiplicare la capacità della batteria (mAh) e il valore C per determinare la corrente massima che la batteria può erogare.

Scelta del regolatore ESC

Il regolatore elettronico di velocità va scelto in modo che sia in grado di gestire più della corrente massima stimata. Selezionare un modello di classe appena superiore è spesso una scelta saggia per lasciare un certo margine. Tenere inoltre conto di quanta corrente assorbiranno i servo montati sul modello se si intende alimentare il ricevitore tramite un BEC integrato nell’ESC. Si raccomanda per questi motori Avian l’uso di ESC Spektrum Smart e batterie Smart. Se utilizzati con un ricevitore e una trasmittente con capacità telemetriche compatibili con la tecnologia Smart, questi sistemi consentono l’accesso a dati importanti sul funzionamento dell’impianto di propulsione senza bisogno di dispositivi aggiuntivi. Diventa così possibile accedere direttamente tramite lo schermo della trasmittente a tutte le metriche

necessarie per comprendere e impostare correttamente il sistema di propulsione, come corrente, tensione, RPM (il numero di poli deve essere inserito nella schermata di impostazione della telemetria Smart ESC per ottenere il numero di giri al minuto) e altro ancora.

Adattatori eliche

Determinare il tipo di adattatore che si intende utilizzare prima di procedere al montaggio del motore.

- Per i supporti tipo salva elica, utilizzare sempre O-ring di qualità e assicurarsi che la gomma sia in buone condizioni e ben fissata prima di collegare l’alimentazione al modello.
- Per gli adattatori a collarino, assicurarsi che il dado sia ben stretto in modo che l’albero del motore non possa scivolare, evitando però un serraggio eccessivo che potrebbe danneggiare il collarino.
- Per gli adattatori ad attacco diretto, utilizzare una piccola quantità di frenafilietti rimovibile e stringere le viti di montaggio procedendo "a stella" per assicurarne il centraggio sul motore.

Installazione del motore

Determinare il tipo di supporto motore che si intende utilizzare prima di procedere al montaggio del motore. Fare attenzione alla lunghezza delle viti di montaggio che si estendono nel motore. Tenere conto dello spessore del tagliafiamma ed evitare assolutamente che le viti di montaggio del motore tocchino i fili all’interno del motore (avvolgimenti del motore). Se le viti vengono serrate sugli avvolgimenti del motore, vi è un forte rischio di danni permanenti agli avvolgimenti. I danni causati durante l’installazione non sono coperti dalla garanzia.

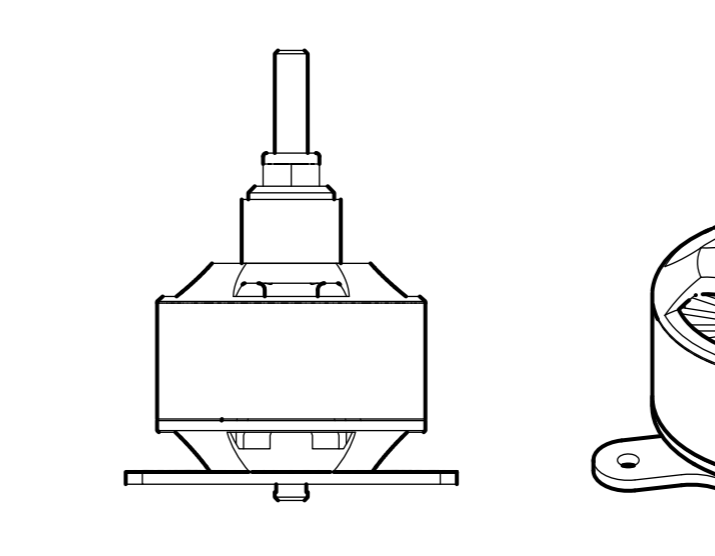
Collegamento del motore

I fili del motore possono essere collegati all’ESC in qualsiasi ordine. Se è necessario invertire la direzione del motore, scambiare due qualunque dei tre connettori.

Test del sistema di propulsione

Se il sistema di propulsione non offre funzioni telemetriche, è necessario procurarsi un misuratore di potenza (wattmetro) per misurare l’assorbimento in watt del sistema di propulsione e verificare quanto bene le batterie mantengono la tensione sotto carico. I test e la messa a punto del sistema di propulsione possono concludersi con il semplice verificare che i parametri si mantengono correttamente entro le specifiche oppure richiedere la sostituzione del tipo di elica o batteria per ottenere le prestazioni desiderate. Condurre i test prima al suolo per verificare le prestazioni attese e poi procedere ai test in volo. Se dopo i primi voli si decide di passare a un’elica più grande o aumentare il numero di celle della batteria, sostituire, ripetere i test al suolo per verificare il consumo di energia e solo dopo riportare il modello in volo.

CONSIGLIO: il sistema di propulsione è tanto buono quanto lo è la batteria che lo alimenta. Iniziare sempre i test del sistema di propulsione con una batteria completamente carica e in buone condizioni operative e monitorare la tensione durante i test per verificare come la batteria riesce a gestire le richieste di potenza. La tensione della batteria sarà massima in assenza di carico e minima a pieno regime. Più potenza (watt) si richiede alla batteria, più la tensione si abbasserà, il che è normale. Imparare a interpretare l’abbassamento di tensione è importante perché si tratta di un indicatore chiave della salute di una batteria e di quanto questa sia adatta per una data applicazione. Le batterie con un grado C maggiore sono soggette a un minore abbassamento di tensione sotto carico e per questo riescono a fornire più potenza. Durante i test, la tensione della batteria non deve mai scendere sotto i 3,0 V per cella (questo valore si riferisce alle batterie di tipo LiPo e potrebbe variare per gli altri tipi di batterie). Tenere conto del numero di celle, determinare il valore e non lasciare mai che



***IMPORTANTE:** L’elica consigliata per le batterie 12S è solo per il volo 3D e il volo acrobatico estremo e cioè quando sono richieste le massime prestazioni e la piena accelerazione è utilizzata solo per brevissimi momenti. Un’elica più piccola o una LiPo 8S-10S sono raccomandate per il volo sportivo quando si prevede un uso a pieno regime prolungato e sostenuto. Si raccomanda l’utilizzo di eliche progettate esclusivamente per motori elettrici. Le eliche per i motori a benzina sono più pesanti e inducono un assorbimento eccessivo di corrente da parte del motore.

SPMX-1015 Motore Brushless Outrunner Avian: 8086-200 Kv 24 Poli (40 cc)

la tensione scenda sotto questo valore. Le batterie nuove e al massimo del loro potenziale mantengono meglio la tensione sotto carico (richieste di potenza), a differenza delle batterie usate e logore che perdono questa capacità. Il numero di giri del motore è direttamente legato alla tensione, quindi se la tensione cala il motore rallenta. In concreto, questo significa che una batteria nuova è potente e reattiva, mente le batterie vecchie non riescono a fornire la potenza che avevano quando erano nuove e sembrano quindi fiacche. Se si eseguono i test con una batteria vecchia che non è in grado di fornire una corrente sufficiente senza che la tensione si abbassi, il sistema di propulsione non potrà mostrare le sue prestazioni reali.

Test al suolo

AVVERTENZA: mettere sempre in sicurezza l’aereo prima di procedere con i test al suolo. Non mettersi di fronte all’elica in rotazione, né allungare le mani attorno all’elica quando si fanno regolazioni durante i test. La mancata osservanza di questo avvertimento può provocare gravi lesioni fisiche.

Il sistema di propulsione assorbe in genere più potenza quando si testa la spinta statica al suolo rispetto a quando il sistema viene utilizzato in volo e quindi è ragionevole aspettarsi che assorba meno potenza in volo se si rimane entro i limiti di riferimento al suolo. Tenere però a mente che il flusso dell’aria di raffreddamento non è ugualmente efficiente a terra come sarebbe in aria (se la cellula del modello è disegnata in modo sufficientemente accurato) e per questo è quindi necessario monitorare le temperature del sistema di propulsione durante i test per prevenire il surriscaldamento.

Iniziare i test con la batteria e l’elica scelte per verificare che il sistema di propulsione funzioni entro le specifiche del motore, dell’ESC e della batteria. La tensione in watt non deve eccedere le specifiche nominali del motore per il wattaggio continuo; se lo fa, non deve comunque mai superare il valore nominale della corrente di sovraccarico, detta anche "burst rating". Se il wattaggio continuo viene superato, prendere nota dell’impostazione della manetta che porta al superamento del valore e non spingere la manetta oltre tale valore per un periodo di tempo prolungato. Se durante il test il wattaggio supera la corrente di sovraccarico del motore, è necessario modificare il sistema di propulsione per evitare il sovraccarico. Se si sovraccarica il motore e lo si mantiene in funzione, il motore si surriscalda e può subire danni permanenti. Se si ha bisogno di ridurre il wattaggio assorbito dal motore, si può provare a cambiare l’elica o la batteria (voltage/numero di celle). Ridurre il diametro o il passo dell’elica riduce il consumo di potenza, così come lo riduce il passare a una batteria con meno celle. Ripetere il calcolo della potenza richiesta in watt usando i valori effettivi invece che quelli stimati e procedere ai test in volo se tutto risulta allineato con le stime originali.

Prove in volo

Pilotare l’aeromodello nel modo in cui si prevede di farlo volare normalmente. Se questo include manovre aggressive ad alta velocità o acrobazie 3D, atterrare con frequenza per controllare la temperatura dei componenti del sistema di propulsione e assicurarsi che non vi siano surriscaldamenti. Se si desidera maggiore velocità, valutare se ridurre il diametro e aumentare il passo dell’elica. Se si desidera più potenza di trazione per le manovre acrobatiche e di hovering, valutare se passare a un diametro maggiore con un passo minore. Se si sale con un valore e si scende con l’altro, l’impatto della variazione sul wattaggio consumato rimane minimo. Se si sale con uno solo dei valori, è necessario ripetere i test al suolo terra per verificare che l’assorbimento non sia eccessivo. Se si desidera molta più potenza e il motore già assorbe molti watt, passare a una batteria con più celle. Tenere sempre presente che passando a una batteria con più celle la potenza sale di parecchio perché il motore girerà più velocemente e sarà quindi necessario tornare ai test al suolo e magari ridurre il diametro e/o il passo dell’elica per mantenere il rendimento del sistema di propulsione entro le specifiche.

Garanzia

Periodo di garanzia

Garanzia esclusiva - Horizon Hobby, LLC (Horizon) garantisce che il prodotto acquistato (il "Prodotto") sarà privo di difetti relativi ai materiali e di eventuali errori di montaggio alla data di acquisto. Il periodo di garanzia è conforme alle disposizioni legali del paese nel quale il prodotto è stato acquistato. Tale periodo di garanzia ammonta a 6 mesi e si estende ad altri 18 mesi dopo tale termine.

Limiti della garanzia

(a) La garanzia è limitata all'acquirente originale (Acquirente) e non è cedibile a terzi. L'acquirente ha il diritto a far riparare o a far sostituire la merce durante il periodo di questa garanzia. La garanzia copre solo quei prodotti acquistati presso un rivenditore autorizzato Horizon. Altre transazioni di terze parti non sono coperte da questa garanzia. La prova di acquisto è necessaria per far valere il diritto di garanzia. Inoltre, Horizon si riserva il diritto di cambiare o modificare i termini di questa garanzia senza alcun preavviso e di escludere tutte le altre garanzie già esistenti.

(b) Horizon non si assume alcuna garanzia per la disponibilità del prodotto, per l'adeguatezza o l'idoneità del prodotto a particolari previsti dall'utente. È sola responsabilità dell'acquirente il fatto di verificare se il prodotto è adatto agli scopi da lui previsti.

(c) Richiesta dell'acquirente – spetta soltanto a Horizon, a propria discrezione riparare o sostituire qualsiasi prodotto considerato difettoso e che rientra nei termini di garanzia. Queste sono le uniche rivalse a cui l'acquirente si può appellare, se un prodotto è difettoso.

Horizon si riserva il diritto di controllare qualsiasi componente utilizzato che viene coinvolto nella rivalsa di garanzia. Le decisioni relative alla sostituzione o alla riparazione sono a discrezione di Horizon. Questa garanzia non copre dei danni superficiali o danni per cause di forza maggiore, uso errato del prodotto, un utilizzo che viola qualsiasi legge, regolamentazione o disposizione applicabile, negligenza, uso ai fini commerciali, o una qualsiasi modifica a qualsiasi parte del prodotto.

Questa garanzia non copre danni dovuti ad un'installazione errata, ad un funzionamento errato, ad una manutenzione o un tentativo di riparazione non idonei a cura di soggetti diversi da Horizon. La restituzione del prodotto a cura dell'acquirente, o da un suo rappresentante, deve essere approvata per iscritto dalla Horizon.

Limiti di danno

Horizon non si riterrà responsabile per danni speciali, diretti, indiretti o consequenziali; perdita di profitto o di produzione; perdita commerciale connessa al prodotto, indipendentemente dal fatto che la richiesta si basa su un contratto o sulla garanzia. Inoltre la responsabilità di Horizon non supera mai in nessun caso il prezzo di acquisto del prodotto per il quale si chiede la responsabilità. Horizon non ha alcun controllo sul montaggio, sull'utilizzo o sulla manutenzione del prodotto o di combinazioni di vari prodotti. Quindi Horizon non accetta nessuna responsabilità per danni o lesioni derivanti da tali circostanze. Con l'utilizzo e il montaggio del prodotto l'utente acconsente a tutte le condizioni, limitazioni e riserve di garanzia citate in questa sede.

Qualora l'utente non fosse pronto ad assumersi tale responsabilità associata all'uso del prodotto, si suggerisce di restituire il prodotto intatto, mai usato e immediatamente presso il venditore.

Indicazioni di sicurezza

Questo è un prodotto sofisticato di hobbistica e non è un giocattolo. Esso deve essere manipolato con cautela, con giudizio e richiede delle conoscenze basilari di meccanica e delle facoltà mentali di base. Se il prodotto non verrà manipolato in maniera sicura e responsabile potrebbero risultare delle lesioni, dei gravi danni a persone, al prodotto o all'ambiente circostante. Questo prodotto non è concepito per essere usato dai bambini senza una diretta supervisione di un adulto. Il manuale del prodotto contiene le istruzioni di sicurezza, di funzionamento e di manutenzione del prodotto stesso. È fondamentale leggere e seguire tutte le istruzioni e le avvertenze nel manuale prima di mettere in funzione il prodotto. Solo così si eviterà un utilizzo errato e si preverranno incidenti, lesioni o danni.

Domande, assistenza e riparazioni

Il vostro negozio locale e/o luogo di acquisto non possono fornire garanzie di assistenza o riparazione senza previo colloquio con Horizon. Questo vale anche per le riparazioni in garanzia. Quindi in tale casi bisogna interpellare un rivenditore, che si metterà in contatto subito con Horizon per prendere una decisione che vi possa aiutare nel più breve tempo possibile.

Manutenzione e riparazione

Se il prodotto deve essere ispezionato o riparato, si prega di rivolgersi ad un rivenditore specializzato o direttamente ad Horizon. Il prodotto deve essere imballato con cura. Bisogna far notare che i box originali solitamente non sono adatti per effettuare una spedizione senza subire alcun danno. Bisogna effettuare una spedizione via corriere che fornisce una tracciabilità e un'assicurazione, in quanto Horizon non si assume alcuna responsabilità in relazione alla spedizione del prodotto. Inserire il prodotto in una busta assieme ad una descrizione dettagliata degli errori e ad una lista di tutti i singoli componenti spediti. Inoltre abbiamo bisogno di un indirizzo completo, di un numero di telefono per chiedere ulteriori domande e di un indirizzo e-mail.

Garanzia e riparazione

Le richieste in garanzia verranno elaborate solo se è presente una prova d'acquisto in originale proveniente da un rivenditore specializzato autorizzato, nella quale è ben visibile la data di acquisto. Se la garanzia viene confermata, allora il prodotto verrà riparato o sostituito. Questa decisione spetta esclusivamente a Horizon Hobby.

Riparazioni a pagamento

Se bisogna effettuare una riparazione a pagamento, effettueremo un preventivo che verrà inoltrato al vostro rivenditore. La riparazione verrà effettuata dopo l'autorizzazione da parte del vostro rivenditore. La somma per la riparazione dovrà essere pagata al vostro rivenditore. Le riparazioni a pagamento avranno un costo minimo di 30 minuti di lavoro e in fattura includeranno le spese di restituzione. Qualsiasi riparazione non pagata e non richiesta entro 90 giorni verrà considerata abbandonata e verrà gestita di conseguenza.

ATTENZIONE: Le riparazioni a pagamento sono disponibili solo sull'elettronica e sui motori. Le riparazioni a livello meccanico, soprattutto per gli elicotteri e le vetture RC, sono molto costose e devono essere effettuate autonomamente dall'acquirente.

10/15

Garanzia e Assistenza - Informazioni per i contatti

| Paese di acquisto | Horizon Hobby | Contatti | Indirizzo |
|-------------------|-----------------------------|-------------------------|---------------------------|
| Unione Europea | Horizon Technischer Service | service@horizonhobby.de | Hanskampring 9 D 22885 |
| | Sales: Horizon Hobby GmbH | +49 (0) 4121 2655 100 | Barsbüttel Germany |

Informazioni sulla conformità per l'Unione Europea

Dichiarazione di conformità UE:

Con la presente, Horizon Hobby, LLC dichiara che il dispositivo è conforme a quanto segue: Direttiva europea sulla compatibilità elettromagnetica (EMC) 2014/30/UE; Direttiva RoHS 2 2011/65 / UE; Direttiva RoHS 3 - Modifica 2011/65 / UE allegato II 2015/863.

Il testo completo della dichiarazione di conformità UE è disponibile al seguente indirizzo internet: <https://www.horizonhobby.com/content/support-render-compliance>.

Produttore ufficiale dell'UE:

Horizon Hobby, LLC
2904 Research Road
Champaign, IL 61822 USA
Importatore ufficiale dell'UE:
Horizon Hobby, GmbH
Hanskampring 9
22885 Barsbüttel Germany

AVVISO RAE:



Questo dispositivo è marcato ai sensi della Direttiva europea 2012/19/UE riguardante i rifiuti di apparecchiature elettriche ed elettroniche (RAEE). Il simbolo  indica che il prodotto non va smaltito insieme ai rifiuti domestici. Il prodotto deve essere consegnato agli appositi centri di raccolta per consentirne il recupero e il riciclaggio.

HORIZON[®]
H O B B Y