

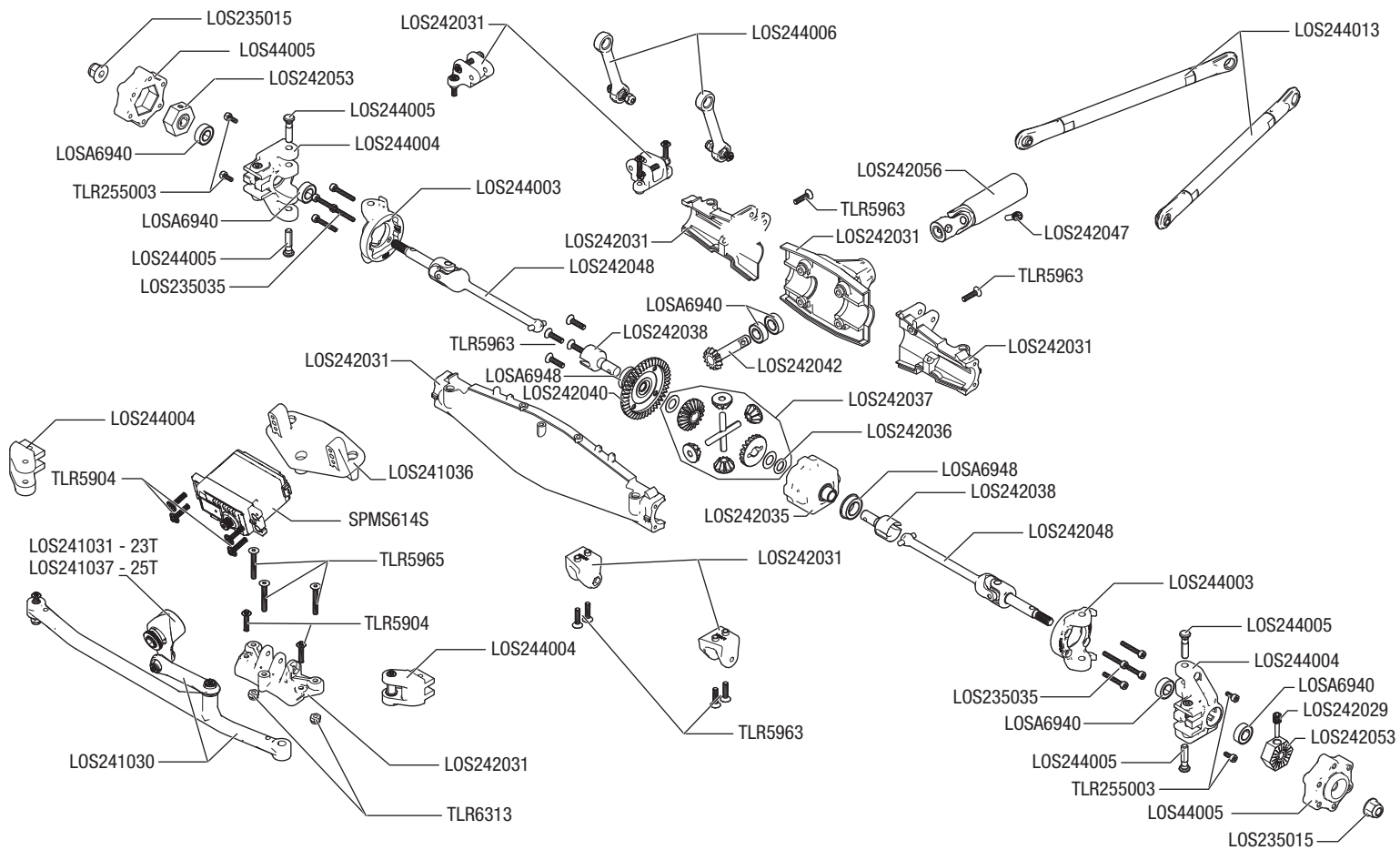


LOS04024T2
LOS04024T1

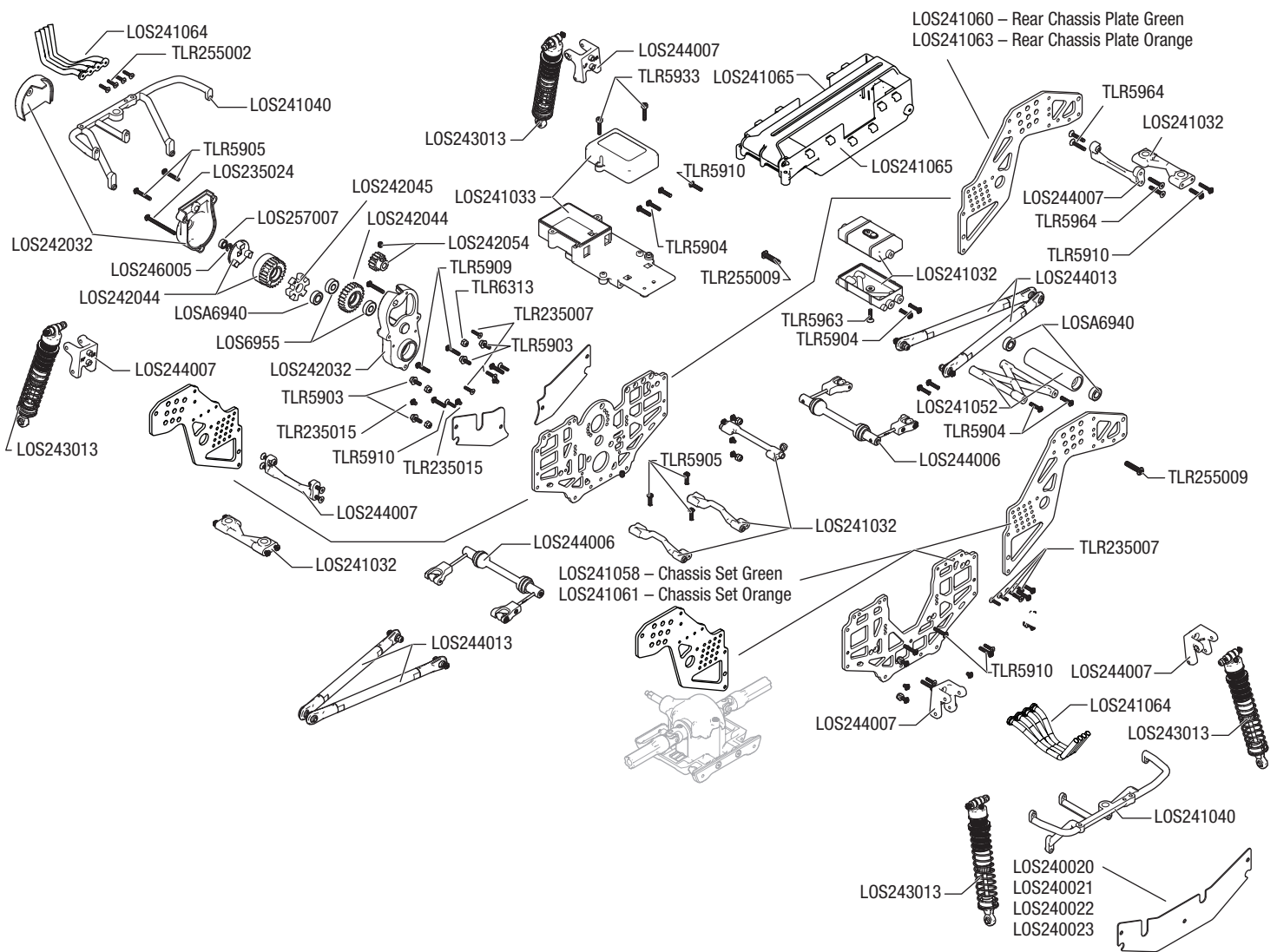
BOG HOG / KING SLING 4WD MEGA TRUCK RTR

EXPLODED VIEW • VUE ÉCLATÉE DES PIÈCES

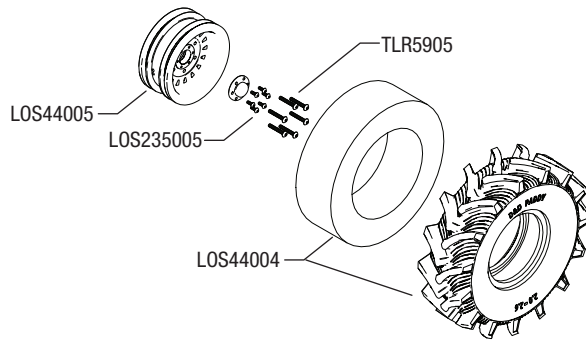
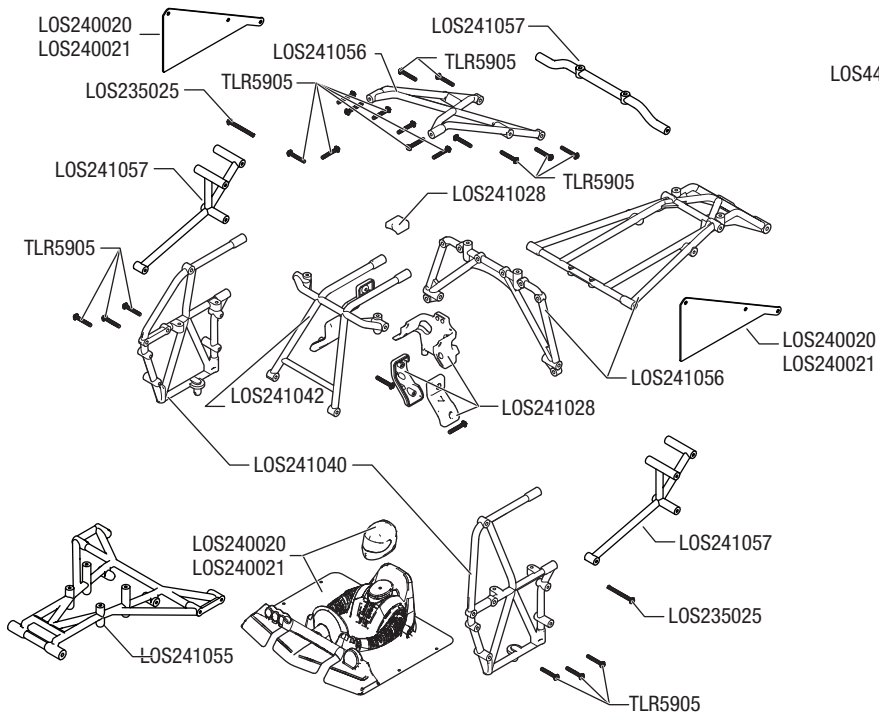
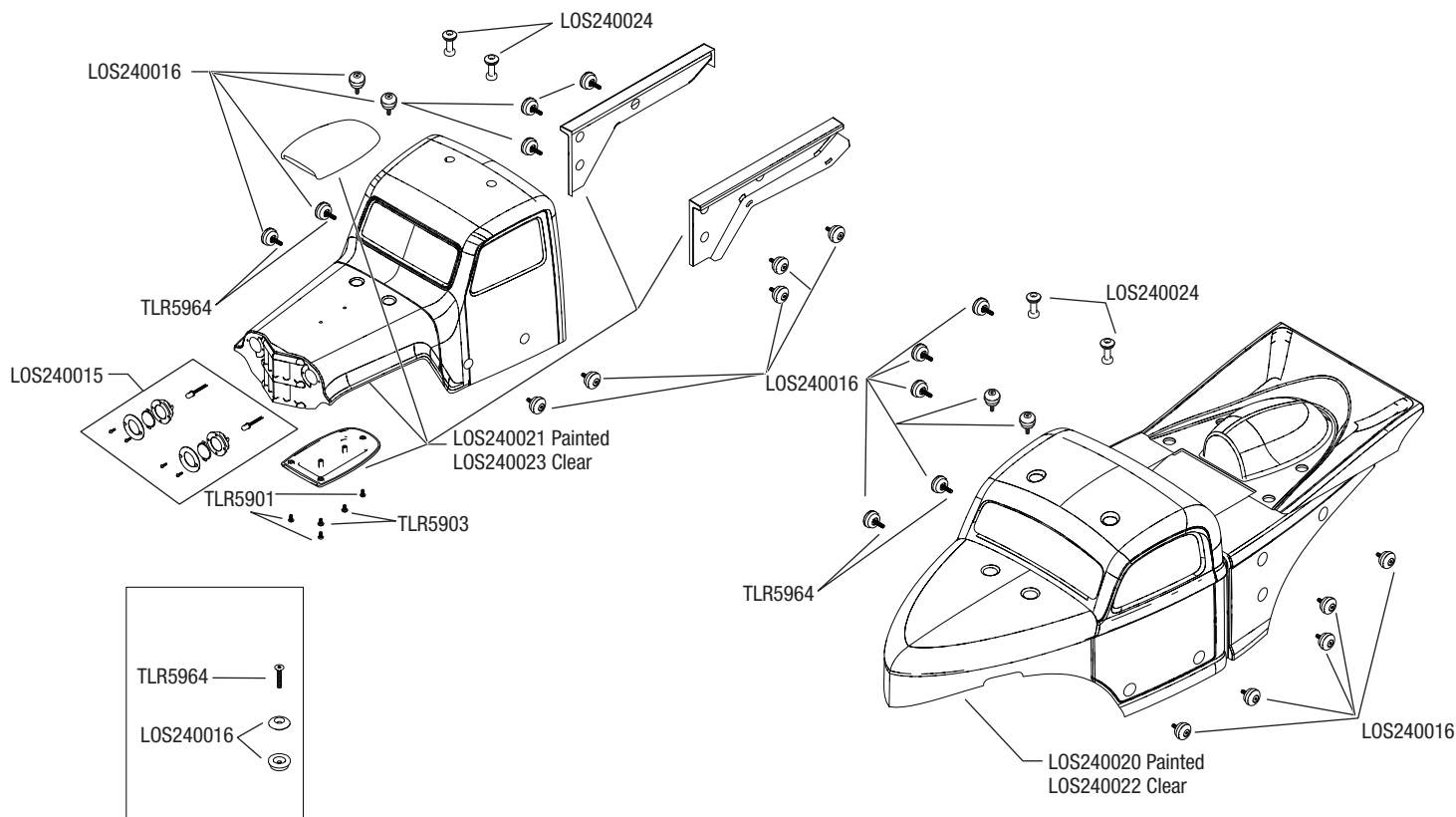
FRONT DIFFERENTIAL • VORDERES DIFFERENZIAL • DIFFÉRENTIEL AVANT • DIFFERENZIALE ANTERIORE



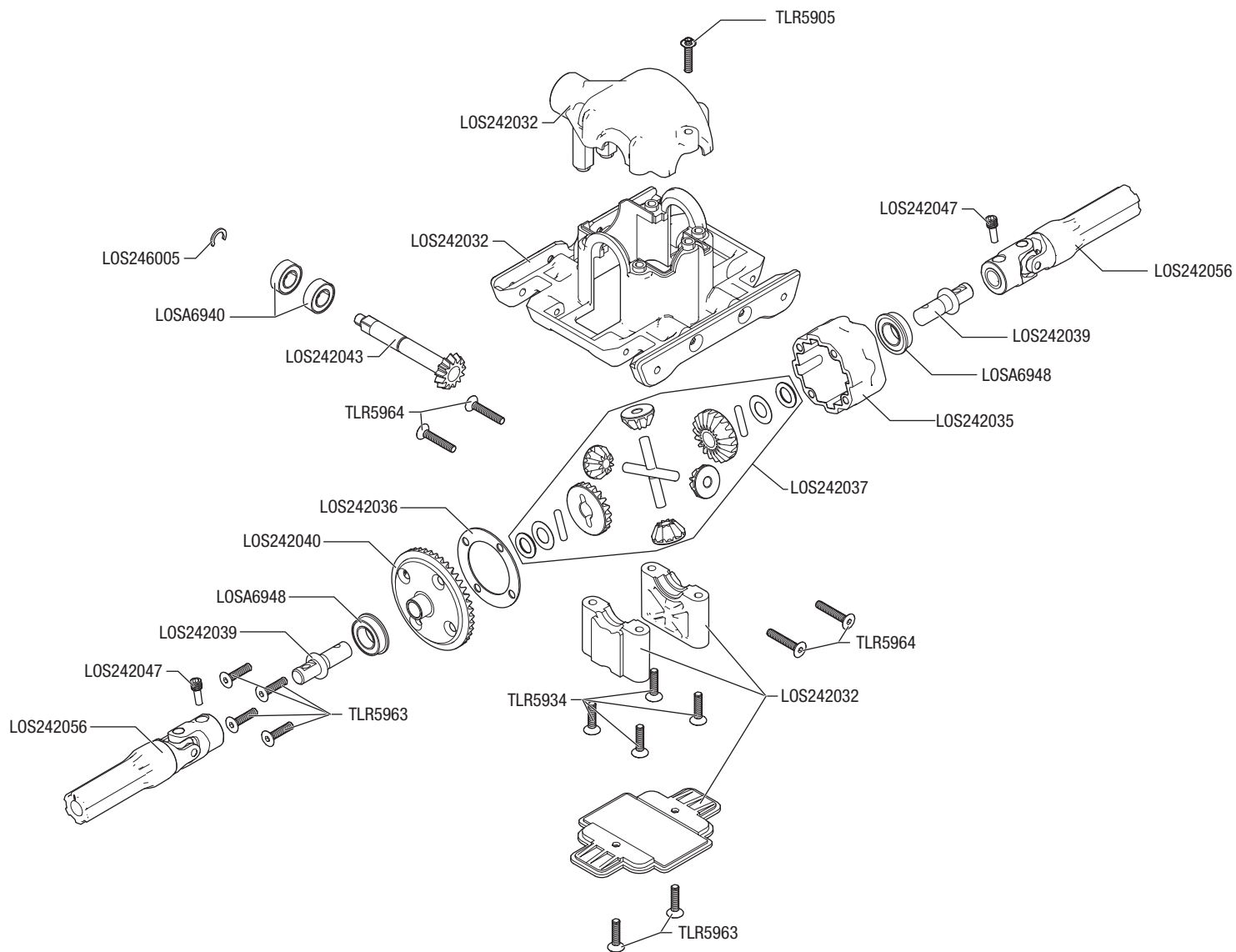
CHASSIS



BODY / CAGE • KAROSSERIE/KÄFIG • CARROSSERIE / CAGE • SCOCCA / GABBIA



CENTER DIFFERENTIAL • ZENTRALES DIFFERENZIAL • DIFFÉRENTIEL CENTRAL • DIFFERENZIALE CENTRALE



REPLACEMENT PARTS • ERSATZTEILE • PIÈCES DE RECHANGE • PARTI DI RICAMBIO

| Part # | English | Deutsch | Français | Italiano |
|-----------|-------------------------------------|---|---|--|
| AXI235016 | M2.5 x 16mm, Cap Head Screw (10) | M2,5 x 16 mm, Inbusschraube (10) | Vis d'assemblage creuses M2,5 x 16 mm (10) | Viti testa cilindrica M2.5x16 mm (10) |
| AXIC0088 | AXA088 Cap Hd M3x20mm Blk Oxid | AXA088 Kappenkopf M3 x 20 mm, schwarz, Oxid | AXA088 Vis d'assemblage creuse M3 x 20 mm brunie | AXA088 testa cilind M3x20 mm nro ossd |
| LOS235002 | Cap Head Screws M2.5x10mm (10) | Inbusschrauben, M2,5 x 10 mm (10) | Vis d'assemblage creuses M2,5 x 10 mm (10) | Viti testa cilindrica M2.5x10 mm (10) |
| LOS235005 | Button Head Screws M2.5x6mm (10) | Rundkopfschrauben, M2,5 x 6 mm (10) | Vis à tête bombée M2,5 x 6 mm (10) | Viti testa tonda M2.5x6 mm (10) |
| LOS235008 | Flat Head Screws M2.5x5mm (10) | Flachkopfschraube, M2,5 x 5 mm (10) | Vis à tête plate M2,5 x 5 mm (10) | Viti testa piana M2.5x5 mm (10) |
| LOS235012 | Set Screws M4x4mm Cup Point (10) | Stellschrauben M4 x 4 mm Ringschneide (10) | Vis de calage M4 x 4 mm bout cuvette (10) | Viti senza testa M4x4 mm (10) |
| LOS235015 | Locknut Flanged M5 Serrated (10) | Feststellkontermutter mit Flansch M5 (10) | Contre-écrou à embase M5 strié (10) | Controdado flangiato dentellato M5 (10) |
| LOS235024 | Button Head Screws M3x25mm (10) | Rundkopfschrauben, M3 x 25 mm (10) | Vis à tête bombée M3 x 25 mm (10) | Viti a testa tonda, M3x25 mm (10) |
| LOS235025 | Button Head Screws M3x30mm (10) | Rundkopfschrauben, M3 x 30 mm (10) | Vis à tête bombée M3 x 30 mm (10) | Viti a testa tonda, M3x30 mm (10) |
| LOS235035 | Button Head Screws M2.5x16mm (10) | Rundkopfschrauben, M2,5 x 16 mm (10) | Vis à tête bombée, M2,5 x 16 mm (10) | Viti a testa tonda, M2.5x16 mm (10) |
| LOS236001 | 3.2mm x 7mmx .5mm Washer (10) | 3,2 mm x 7 mm x 0,5 mm Unterlegscheibe(10) | Rondelle 3,2 mm x 7 mm x 0,5 mm (10) | Rondelle 3,2x7x0,5 mm (10) |
| LOS240016 | Body Buttons,Top & Bottom (10) | Body Buttons,oben und unten (10) | Boutons de carrosserie, haut et bas (10) | Cappucci scocca inf e sup (22) |
| LOS240020 | Body Wing Painted King Sling | Gehäuse, Tragfläche, lackiert, King Sling | Aile de carrosserie peinte - King Sling | Alettone scocca verniciato King Sling |
| LOS240021 | Body St Painted Bog Hog | Karoseriesatz, lackiert, Bog Hog | Ensemble carrosserie peint - Bog Hog | Set scocca verniciata Bog Hog |
| LOS240022 | BodyWing Clr KingSling | Gehäuse, Tragfläche, farblos, King Sling | Aile de carrosserie transparente - King Sling | Alettone scocca trasparente King Sling |
| LOS240023 | Body Set Clear Bog Hog | Karoseriesatz, farblos, Bog Hog | Ensemble carrosserie transparent - Bog Hog | Set scocca trasparente Bog Hog |
| LOS240024 | Body ButtonSpacers (10) | Body Button, Distanzstücke (10) | Entretoises de bouton de carrosserie (10) | Distanziali cappuccio scocca (10) |
| LOS240025 | Fr LED Headlight St | Front-LED-Scheinwerfer-Satz | Ensemble de phare à DEL avant | Set fari LED anteriori |
| LOS241028 | Safety Seat Set | Sicherheitssitzsatz | Ensemble siège auto | Set sedile di sicurezza |
| LOS241030 | Steering Linkage Set | Lenkstangensatz | Ensemble de tringlerie de direction | Set leveraggi di sterzo |
| LOS241031 | ServoSaverSet,Complete,23T | Servo-Saver-Satz, komplett, 23T | Ensemble économiseur de servo, complet, 23 dents | Set salva servo, completo, 23T |
| LOS241032 | Cross Brace Set, Chassis | Querstrebensatz, Chassis | Ensemble traverse, châssis | Set traverse, telaio |
| LOS241036 | Steering Servo Mount Plate | Lenkservo-Montageplatte | Plaque de support du servo de direction | Piastra montaggio servo dello sterzo |
| LOS241040 | Side Cage & Lower Bar, Black | Seitlicher Überrollkäfig und untere Stange, schwarz | Barres inférieures et de cage latérale, noir | Gabbia laterale e barra inferiore, nero |
| LOS241054 | Cage Set Complete Blk | Überrollkäfigset, komplett, schwarz | Ensemble cage, complet, noir | Set gabbia completa, nero |
| LOS241055 | Fr & Uppr Cage Bars, Blk | Vordere und obere Stangen des Überrollkäfigs, schwarz | Barres de cage supérieures et avant, noir | Barre gabbia sup e inf, nero |
| LOS241056 | Rear Cage & Hoop, Blk | Heckkäfig und -bügel, schwarz | Cage et capot arrière, noir | Cerchi e gabbia posteriore, nero |
| LOS241057 | Rr Cage Body Support, Blk | Hintere Käfigkarosserieunterstützung, schwarz | Montage de carrosserie de cage arrière, noir | Supporto scocca gabbia post, nero |
| LOS241058 | Chassis Set, Green | Karoseriesatz, grün | Ensemble de châssis, vert | Set telaio, verde |
| LOS241059 | Fr Chassis Plate,Gr (2): LMT Mega K | Front-Karosserieplatte, Gr (2): LMT Mega K | Plaque de châssis avant, vert (2) : LMT Mega K | Piastre telaio anteriori, verde (2): LMT Mega K |
| LOS241060 | Rr Chassis Plate,Gr (2): LMT Mega K | Heck-Karosserieplatte, Gr (2): LMT Mega K | Plaque de châssis arrière, vert (2) : LMT Mega K | Piastre telaio posteriori, verde (2): LMT Mega K |
| LOS241064 | Headers, Chrome | Kopfteil, verchromt | Intitulés, chrome | Scarichi, cromo |
| LOS241065 | Low CG Battery Tray & Straps | Niedrige CG, Akkufach und -klemmen | Support et sangles de batterie CG bas | Vassoio e fascette batteria CG basso |
| LOS241066 | Battery Straps, Low CG | Akku-Klemmen, niedriger CG | Sangles de batterie, CG bas | Fascette batteria, CG basso |
| LOS242029 | Wheel Hex Screw Pin (10) | Sechskantrad, Stift (10) | Cheville à vis hexagonale de roue (10) | Viti a perno esagoni ruote (10) |
| LOS242030 | Axle Housing Set Complete, Rear | Achsgehäuse-Set, komplett, Heck | Ensemble carter d'essieu complet, arrière | Set carcassa assale completo post |
| LOS242031 | Axle Housing Set Complete, Front | Achsgehäuse-Set, komplett, Front | Ensemble carter d'essieu complet, avant | Set carcassa assale completo ant |
| LOS242032 | Gearbox Housing Set w/covers | Getriebegehäusesatz mit Abdeckung | Ensemble carter de boîte à engrenage avec caches | Set corpo scatola ingr con coperchi |
| LOS242033 | Complete Diff Front or Rear | Komplettes Differential, Front oder Heck | Différentiel complet avant ou arrière | Diff completo anteriore o posteriore |
| LOS242034 | Complete Diff Center | Komplettes Zentraldifferential | Différentiel complet central | Diff centrale completo |
| LOS242035 | Diff Housing Set (1) | Differentialgehäusesatz (1) | Ensemble boîtier de différentiel (1) | Kit alloggiamento diff (1) |
| LOS242036 | Diff O-rings & Gaskets (3) | Diff. O-Ringe & Dichtung (3) | Joints toriques et joints de différentiel (3) | O-ring e guarnizioni diff (3) |
| LOS242037 | Internal Diff Rebuild Kit(1) | Internes Differentialgetriebe-Umbau-Kit (1) | Kit de reconstruction de différentiel interne (1) | Kit ricostruzione diff interno (1) |
| LOS242038 | F/R Diff Outdrive Set (2) | Front/Heck Differentialantrieb-Set (2) | Ensemble arbre extérieur de différentiel avant/arrière (2) | Set alberi esterni diff A/R (2) |
| LOS242039 | Center Diff Output Shafts(2) | Zentraldiff Antriebswelle (2) | Arbres de sortie du différentiel central (2) | Alberi uscita diff centrale (2) |
| LOS242040 | F/R Diff Ring Gear: LMT | F/H Diff Ringgetriebe: LMT | Couronne de différentiel avant/arrière : LMT | Corona dentata diff A/R: LMT |
| LOS242041 | Diff Spool | Differentialspule | Spool de différentiel | Bobina differenziale |
| LOS242042 | Diff Pinion, 13T (1) | Differentialzahnrad, 13T (1) | Pignon de différentiel, 13 dents (1) | Pignone differenziale, 13T (1) |
| LOS242043 | 13T Cntr Trans Pinion Gear | 13T Zentraltrans Zahnradgetriebe | Pignon de transmission centrale 13 dents | Ingranaggio pignone trasm centrale 13T |
| LOS242044 | Idle & Cush Drive Gear Set | Leerlauf & Buchsenantriebs-Getriebesatz | Ensemble pignon fou et engrenage d'entraînement amorti | Set ingranaggio trasm amm e minimo |
| LOS242045 | Cush Drive Rubber Damper, Med (2) | Buchsenantrieb, Gummidämpfer, mittel (2) | Amortisseur en caoutchouc de l'entraînement amorti, moyen (2) | Trasm amm smorz gomma, med (2) |
| LOS242047 | Center Driveshaft Screw pin (10) | Mittlere Antriebswelle, Schraubenstift (10) | Cheville à vis de l'arbre de transmission central (10) | Viti a perno albero trasm centrale (10) |
| LOS242048 | Fr Universal Driveshaft (2) | Front-Universal-Antriebswelle (2) | Arbre de transmission universel avant (2) | Albero trasm universale ant (2) |
| LOS242049 | Dogbones, Rear (2) | Dogbones, Heck (2) | Dogbones, arrière (2) | Cardani, posteriori (2) |
| LOS242051 | Stub Axle, Rear (2): LMT | Achswellenstumpf, Heck (2): LMT | Demi-essieu, arrière (2) : LMT | Fuselli, posteriori (2): LMT |
| LOS242052 | Rr Axle Mount set, 0 & 3 Deg | Heck Befestigungssatz, 0 & 3 Grad | Ensemble support d'essieu arrière, 0 et 3 deg. | Kit montaggio assale post, 0 e 3° |
| LOS242053 | 17mm Hex Adapter w/pin (4) | 17 mm Sechskant-Adapter mit Stift (4) | Adaptateur hexagonal de 17 mm avec broche (4) | Adattatore hex 17 mm con perno (4) |

REPLACEMENT PARTS • ERSATZTEILE • PIÈCES DE RECHANGE • PARTI DI RICAMBIO

| Part # | English | Deutsch | Français | Italiano |
|------------|---|---|--|---|
| LOS242054 | Pinion Gear, 14T, 1.0M. 5mm shaf | Zahnradgetriebe, 14T, 1,0 M. 5 mm Welle | Pignon, 14 dents, 1 M. Arbre de 5 mm | Ingranaggio pignone, 14T, 1,0 M. Albero 5 mm |
| LOS242055 | Axle Housing Set, Center Section | Achsgehäuse-Set, Mittelteil | Ensemble carter d'essieu, section centrale | Set corpo assale, sezione centrale |
| LOS242056 | Center Drive shaft St (1) | Zentraler Antriebswellensatz (1) | Ensemble arbre de transmission central (1) | Set albero trasmissione centrale (1) |
| LOS242057 | Center Slider Drive shaft (2) | Zentraler Schieber, Antriebswelle (2) | Arbre de transmission de coulisseau central (2) | Albero trasm cursore centrale (2) |
| LOS243012 | Shock Body and Cap, Al (2) | Stoßdämpfergehäuse und Kappe, Al (2) | Corps et capuchon d'amortisseur, Al (2) | Corpo amm e cappuccio, Al (2) |
| LOS243013 | Shock Set Complete (2) | Stoßdämpfersatz, komplett (2) | Ensemble amortisseur complet (2) | Set ammortizzatori completo (2) |
| LOS243020 | Shock Rod End & Guard (4) | Shock Rod End & Guard (4) | Stoßdämpfer- und Gelenkköpfe und -schutz (4) | Schermi & terminali asta amm (4) |
| LOS244003 | Spindle Carrier Set (L/R) | Spindle Carrier Set (L/R) | Spindelträgersatz (L/R) | Set portafuselli (SX/DX) |
| LOS244004 | Spindle Set Front (L/R) | Spindle Set Front (L/R) | Spindelsatz Front (L/R) | Set fusello anteriore (SX/DX) |
| LOS244005 | Kingpin, Front (4) | Kingpin, Front (4) | Sattelzapfen, Front (4) | Cardini, anteriori (4) |
| LOS244006 | Sway Bar Set (F/R) | Sway Bar Set (F/R) | Schwingen-Set (F/H) | Kit barra antirollio (A/R) |
| LOS244007 | Upper Shock Mount Set (4) | Upper Shock Mount Set (4) | Oberer Stoßdämpfer-Halterungssatz (4) | Kit montaggio amm superiore (4) |
| LOS244010 | 7mm Double Boss Pivot Balls (10) | 7mm Double Boss Pivot Balls (10) | 7-mm-Schwenkkugel-Doppelspitze (10) | Pivot ball acc dopp mozzo 7 mm (10) |
| LOS244011 | Rod Ends, Sway & Drag Links | Rod Ends, Sway & Drag Links | Gelenkköpfe, Schwing- und Lenkzwischenstange | Estremità asta, tiranti long e antirollio |
| LOS244012 | Lower 4 Link Bar St 15" "WB (4) | Lower 4 Link Bar St 15" "WB (4) | Unteres viergliedriges Stangenset 15" "WB (4) | Kit barra 4-link 15" "WB inferiore (4) |
| LOS244013 | Upper 4 Link Bar St 15" "WB (4) | Upper 4 Link Bar St 15" "WB (4) | Oberes viergliedriges Stangenset 15" "WB (4) | Kit barra 4-link 15" "WB superiore (4) |
| LOS246003 | Body Clips, Black, Small (10) | Body Clips, Black, Small (10) | Gehäuseklammern, schwarz, klein (10) | Clip scocca, nere, piccole (10) |
| LOS246004 | Diff Shim, M8x13x0.4mm (10) | Diff Shim, M8x13x0.4mm (10) | Differentialdichtscheiben, M8 x13 x 0,4 mm (10) | Spessori diff, M8x13x0,4 mm (10) |
| LOS246005 | E-Clip & C-Clip Hardware (20) | E-Clip & C-Clip Hardware (20) | E-Clip- & C-Clip-Hardware(20) | Ferramenta E-clip & C-clip (20) |
| LOS257007 | 4 x 8 x 3mm Ball Bearing (4) | 4 x 8 x 3mm Ball Bearing (4) | 4 x 8 x 3mm Kugellager (4) | Cuscinetti a sfera 4x8x3 mm (4) |
| LOS44003 | Paddy Tire, Premount (2) | Paddy Tire, Premount (2) | Schaukelrad, vormontiert (2) | Ruote Paddy, premontate (2) |
| LOS44004 | D&D Paddy Tire/Foam (2) | D&D Paddy Tire/Foam (2) | D&D Schaukelrad/Schaumstoff (2) | Ruote Paddy D&D/Schiiuma (2) |
| LOS44005 | D&D Mga Trck WhlChrm (2) | D&D Mga Trck WhlChrm (2) | D&D Mega Truck, Räder, verchromt (2) | Cerchi D&D Mega Truck cromo (2) |
| LOSA6940 | 6x12x4mm Sealed Ball Bearing (4) | 6x12x4mm Sealed Ball Bearing (4) | 6 x 12 x 4 mm abgedichtetes Kugellager (4) | Cuscinetti a sfera sigill 6x12x4 mm (4) |
| LOSA6948 | 8x14x4 Flanged Rubber Seal BB (4) | 8x14x4 Flanged Rubber Seal BB (4) | 8 x 14 x 4 Flanschgummidichtung Kugellager (4) | Cusc gomma flangiati 8x14x4 mm (4) |
| LOSA6955 | 5x13x4mm HD Clutch Bearings (2):8B/8T | 5x13x4mm HD Clutch Bearings (2):8B/8T | 5 x 13 x 4 mm HD Kupplungslager (2): 8B/8T | Cusc frizione HD 5x13x4 mm (2):8B/8T |
| SPM2340 | DX3 SMART DSMR 3CH TX w/SR315 | DX3 SMART DSMR 3CH TX w/SR315 | DX3 SMART DSMR TX mit 3 Kanälen mit SR315 | TX DX3 SMART DSMR 3CH con SR315 |
| SPMS614S | S614S Steel Gear WP Servo,23T | S614S Steel Gear WP Servo,23T | S614S Stahlgetriebeservo 23T WP | S614S servo ingr acciaio imp, 23T |
| SPMSR315 | SR315 DSMR 3 CH Receiver | SR315 DSMR 3 CH Receiver | SR315 DSMR 3-Kanal-Empfänger | Ricevitore SR315 DSMR 3 CH |
| SPMXSE1130 | Firma 130A Brushless Smart ESC 4S | Firma 130A Brushless Smart ESC 4S | Firma 130A bürstenloser Smart-Geschwindigkeitsregler, 4S | Smart ESC Firma 130A Brushless 4S |
| SPMXSE3400 | Spektrum Firma 3668 2800Kv 4-Pole Brushless Motor | Spektrum Firma 3668 2800Kv 4-Pole Brushless Motor | Spektrum Firma 3668 2800Kv 4-poliger bürstenloser Motor | Motore Spektrum Firma 3668 2800 Kv 4 poli Brushless |
| TLR235007 | Flat Head Screw M2.5 x 10mm (10) | Flat Head Screw M2.5 x 10mm (10) | Flachkopfschraube M2,5 x 10mm (10) | Viti testa piana, M2.5x10 mm (10) |
| TLR235008 | Flat Head Screws, M3 x 6mm (10) | Flat Head Screws, M3 x 6mm (10) | Rundkopfschrauben, M3 x 6mm (10) | Viti testa piana, M3x6 mm (10) |
| TLR235009 | Flat Head Screws, M3 x 30mm (10) | Flat Head Screws, M3 x 30mm (10) | Rundkopfschrauben, M3 x 30mm (10) | Viti testa piana, M3x30 mm (10) |
| TLR235015 | Button Head Screws M3 x 4mm (10) | Button Head Screws M3 x 4mm (10) | Rundkopfschraube, M3 x 4 mm (10) | Viti testa tonda, M3x4 mm (10) |
| TLR245011 | Button Head Screws, M2x6mm (10) | Button Head Screws, M2x6mm (10) | Rundkopfschrauben, M2 x 6 mm (10) | Viti testa tonda, M2x6 mm (10) |
| TLR245012 | Button Head Screws, M2.5x4mm (10) | Button Head Screws, M2.5x4mm (10) | Rundkopfschrauben, M2,5 x 4 mm (10) | Viti testa tonda, M2.5x4mm (10) |
| TLR255002 | Button Head Screws, M2.5x10mm (10) | Button Head Screws, M2.5x10mm (10) | Rundkopfschrauben, M2,5 x 10 mm (10) | Viti testa tonda, M2.5x10 mm (10) |
| TLR255003 | Cap Head Screws, M2.5x6mm (10) | Cap Head Screws, M2.5x6mm (10) | Inbusschrauben, M2,5 x 6 mm (10) | Viti testa cilindrica, M2.5x6mm (10) |
| TLR255008 | Button Head Screws, M4x16mm (10) | Button Head Screws, M4x16mm (10) | Rundkopfschrauben, M4 x 16 mm (10) | Viti testa tonda, M4x16 mm (10) |
| TLR255015 | Setscrew, Cup Point, M4x5mm (10) | Setscrew, Cup Point, M4x5mm (10) | Feststellschraube, Ringschneide, M4 x 5 mm (10) | Grano, senza testa, M4x5 mm (10) |
| TLR5901 | Button Head Screws, M3 x 6mm (10) | Button Head Screws, M3 x 6mm (10) | Rundkopfschrauben, M3 x 6 mm (10) | Viti testa tonda, M3x6 mm (10) |
| TLR5902 | Button Head Screws, M3 x 8mm (10) | Button Head Screws, M3 x 8mm (10) | Rundkopfschrauben, M3 x 8 mm (10) | Viti testa tonda, M3x8 mm (10) |
| TLR5903 | Button Head Screws, M3 x 10mm (10) | Button Head Screws, M3 x 10mm (10) | Rundkopfschrauben, M3 x 10mm (10) | Viti testa tonda, M3x10 mm (10) |
| TLR5904 | Button Head Screws, M3 x 12mm (10) | Button Head Screws, M3 x 12mm (10) | Rundkopfschrauben, M3 x 12mm (10) | Viti testa tonda, M3x12 mm (10) |
| TLR5905 | Button Head Screws, M3 x 18mm (10) | Button Head Screws, M3 x 18mm (10) | Rundkopfschrauben, M3 x 18mm (10) | Viti testa tonda, M3x18 mm (10) |
| TLR5906 | Button Head Screws, M3 x 35mm (10) | Button Head Screws, M3 x 35mm (10) | Rundkopfschrauben, M3 x 35mm (10) | Viti testa tonda, M3x35 mm (10) |
| TLR5909 | Button Head Screws, M3x16mm (10) | Button Head Screws, M3x16mm (10) | Rundkopfschrauben, M3 x 16 mm (10) | Viti testa tonda, M3x16 mm (10) |
| TLR5910 | Button Head Screws M3 x 14mm (10) | Button Head Screws M3 x 14mm (10) | Rundkopfschraube, M3 x 14mm (10) | Viti testa tonda, M3x14 mm (10) |
| TLR5911 | Button Head Screws, M3 x 20mm (10) | Button Head Screws, M3 x 20mm (10) | Rundkopfschrauben, M3 x 20 mm (10) | Viti testa tonda, M3x20 mm (10) |
| TLR5930 | Cap Head Screws, M3 x 8mm (10) | Cap Head Screws, M3 x 8mm (10) | Inbusschrauben, M3 x 8mm (10) | Viti testa cilindrica, M3x8 mm (10) |
| TLR5932 | Cap Head Screws, M3 x 10mm (10) | Cap Head Screws, M3 x 10mm (10) | Inbusschrauben, M3 x 10 mm (10) | Viti testa cilindrica, M3x10 mm (10) |
| TLR5934 | Cap Head Screws, M3 x 16mm (10) | Cap Head Screws, M3 x 16mm (10) | Inbusschrauben, M3 x 16 mm (10) | Viti testa cilindrica, M3x16 mm (10) |
| TLR5963 | Flathead Screw, M3 x 12mm (10) | Flathead Screw, M3 x 12mm (10) | Flachkopfschraube, M3 x 12 mm (10) | Viti testa piana, M3x12 mm (10) |
| TLR5964 | Flathead Screw, M3 x 16mm (10) | Flathead Screw, M3 x 16mm (10) | Flachkopfschraube, M3 x 16mm (10) | Viti testa piana, M3x16 mm (10) |
| TLR5965 | Flathead Screw, M3 x 20mm (10) | Flathead Screw, M3 x 20mm (10) | Flachkopfschraube, M3 x 20mm (10) | Viti testa piana, M3x20 mm (10) |
| TLR6312 | Locknut, M2.5 x .45 x 5mm (6) | Locknut, M2.5 x .45 x 5mm (6) | Kontermutter M2,5 x 45 x 5 mm (6) | Controdadi M2.5x0,45x5 mm (6) |
| TLR6313 | Locknut, M3 x .5 x 5.5mm (10) | Locknut, M3 x .5 x 5.5mm (10) | Kontermutter, M3 x 0,5 x 5,5 mm (10) | Controdadi M3x0,5x5,5 mm (10) |

RECOMMENDED PARTS • EMPFOHLENE TEILE • PIÈCES RECOMMANDÉES • PARTI CONSIGLIATE

| Part # | English | Deutsch | Français | Italiano |
|--------------|------------------------------------|--|--|--------------------------------------|
| DYNT2010 | Machined Nut Driver Set (4) Metric | Set gefräste Steckschlüssel (4) metrisch | Ensemble tourne-écrou usiné (4) Métrique | Kit di chiavi metriche (4) |
| DYNT2030 | Machined Hex Driver Set (4) Met | Set gefräste Inbusschraubendreher (4) Met | Ensemble clé à six pans usinée (4) Métrique | Kit di chiavi a brugola metriche (4) |
| SPMX52S100H5 | 5000mAh 2S 7.4V SmartG2100C IC5 | 5000 mAh 2S 7,4 V SmartG2100C IC5 | IC5 SmartG2100C 7,4 V 2S 5000 mAh | 5000 mAh 2S 7,4V Smart G2 100C IC5 |
| SPMX53S100H5 | 5000mAh 3S 11.1V G2 100C HC IC5 | 5000mAh 3S 11,1 V G2 100C HC IC5 | IC5 HC 100C G2 11,1 V 3S 5000 mAh | 5000 mAh 3S 11,1 V G2 100C HC IC5 |
| SPMX54S100H5 | 5000mAh 4S 14.8V SmartG2100C IC | 5000 mAh 4S 14,8 V SmartG2100C IC | IC SmartG2100C 14,8V 4S 5000 mAh | 5000 mAh 4S 14,8 V Smart G2 100C IC |
| SPMXC2040 | Smart S1400 G2 AC Charger, 1x400 | Smart S1400 G2 Wechselstrom-Ladegerät, 1x400 | Chargeur c.a. Smart S1400 G2, 1 x 400 | Caricabatterie SmartS1400 G2 AC1x400 |
| TLR74004 | SIL SHOCK OIL, 25WT, 250CST, 2OZ | STOSSDÄMPFER-SILIKONÖL, 25 WT, 250 CST, 2 OZ | HUILE SILICONE POUR AMORTISSEUR, 25WT, 250CST, 59,15 ML (2 OZ) | OLIO SIL AMM, 25WT, 250CST, 2OZ |
| TLR75004 | Silicone Diff Fluid, 100,000CS | Differential-Silikonflüssigkeit, 100.000CS | Liquide silicone pour différentiel, 100 000 CS | Fluido diff silicone, 100.000 CS |
| TLR75009 | Silicone Diff Fluid, 500000CS | Differential-Silikonflüssigkeit, 500000CS | Liquide silicone pour différentiel, 500 000 CS | Fluido diff silicone, 500.000 CS |

* SPMXCA507 required to charge batteries with IC5 connectors on the S2100 and S150 Chargers

OPTIONAL PARTS • OPTIONALE TEILE • PIÈCES EN OPTION • PARTI OPZIONALI

| Part # | English | Deutsch | Français | Italiano |
|------------------|--|--|---|--|
| LOS241037 | ServoSaverSet, 25T, Complete | Servo Saver-Satz, 25T, komplett | Ensemble économiseur de servo, 25 dents, complet | Set salva servo, 25 T, completo |
| LOS343200 | 12mm Machined Wheel Hex (4) | 12 mm gefrästes Sechskantrad (4) | Écrou hexagonal de roue usiné de 12 mm (4) | Esagoni ruote lavorati 12 mm (4) |
| PRO1018100 | Interco Black Mamba 2.6" Mud T | Interco Black Mamba 2,6" Mud T | Interco Black Mamba 2,6 po, terrain boueux T | Interco Black Mamba 2.6" Mud T |
| PRO278903 | Vice CrushLock 2.6" Black/Black | Vice CrushLock 2,6" schwarz/schwarz | Vice CrushLock 2,6 po, noir/noir | Vice CrushLock 2.6" Nero/Nero |
| SPMXCA507 | Adapter: IC3 Battery/IC5 Device | Adapter: IC3-Akku/IC5-Gerät | Adaptateur : batterie IC3/dispositif IC5 | Adattatore: IC3 batteria/IC5 dispositivo |
| TLR5286 | Silicone Diff Fluid, 50,000CS | Differential-Silikonflüssigkeit, 50.000CS | Liquide silicone pour différentiel, 50 000 CS | Fluido diff silicone, 50.000 CS |
| TLR5288 | Silicone Diff Fluid, 125,000CS | Differential-Silikonflüssigkeit, 125.000CS | Liquide silicone pour différentiel, 125 000 CS | Fluido diff silicone, 125.000 CS |
| TLR74001 | *TOP SIL SHOCK OIL, 17.5WT, 150CST, 2O | *STOSSDÄMPFER-SILIKONÖL FÜR OBEN, 17,5 WT, 150 CST, 2O | *HUILE SILICONE POUR AMORTISSEUR, 17,5 WT, 150 CST, 59,15 ML (2 OZ) | *OLIO SIL AMM TOP, 17.5WT, 150CST, 2O |
| TLR74002 | SIL SHOCK OIL, 20WT, 195CST, 2OZ | STOSSDÄMPFER-SILIKONÖL, 20 WT, 195 CST, 2 OZ | HUILE SILICONE POUR AMORTISSEUR, 20 WT, 195 CST, 59,15 ML (2 OZ) | OLIO SIL AMM, 20WT, 195CST, 2OZ |
| TLR74003 | SIL SHOCK OIL, 22.5WT, 223CST, 2OZ | STOSSDÄMPFER-SILIKONÖL, 22,5 WT, 223 CST, 2 OZ | HUILE SILICONE POUR AMORTISSEUR, 22,5 WT, 223 CST, 59,15 ML (2 OZ) | OLIO SIL AMM, 22.5WT, 223CST, 2OZ |
| TLR74005 | SIL SHOCK OIL, 27.5WT, 294CST, 2OZ | STOSSDÄMPFER-SILIKONÖL, 27,5 WT, 294 CST, 2 OZ | HUILE SILICONE POUR AMORTISSEUR, 27,5 WT, 294 CST, 59,15 ML (2 OZ) | OLIO SIL AMM, 27.5WT, 294CST, 2OZ |
| TLR74006 | SIL SHOCK OIL, 30WT, 338CST, 2OZ | STOSSDÄMPFER-SILIKONÖL, 30 WT, 338 CST, 2 OZ | HUILE SILICONE POUR AMORTISSEUR, 30 WT, 338 CST, 59,15 ML (2 OZ) | OLIO SIL AMM, 30WT, 338CST, 2OZ |
| TLR75008 | Silicone Diff Fluid, 200000CS | Differential-Silikonflüssigkeit, 200000CS | Liquide silicone pour différentiel, 200 000 CS | Fluido diff silicone, 200.000CS |
| SPMSS6250 | S6250 U-T / H-S Digital HV WP Servo | S6250 U-T / H-S Digitaler HV WP Servo | Servo numérique étanche haute tension U-T / H-S S6250 | Servo S6250 U-T/H-S imp HV digitale |
| SPMSS6280 | S6280 U-T / H-S Digital HV WP Servo | S6280 U-T / H-S Digitaler HV WP Servo | Servo numérique étanche haute tension U-T / H-S S6280 | Servo S6280 U-T/H-S imp HV digitale |
| SPMSS6290 | S6290 U-T / H-S Digital HV WP Servo | S6290 U-T / H-S Digitaler HV WP Servo | Servo numérique étanche haute tension U-T / H-S S6290 | Servo S6290 U-T/H-S imp HV digitale |
| SPMR5025 | DX5 Pro 2021 DSMR TX Only | DX5 Pro 2021 DSMR nur TX | DX5 Pro 2021 DSMR TX uniquement | DX5 Pro 2021 DSMR TX solo |
| SPMR5115 | DX5C SMART 5CH DSMR TX ONLY | DX5C SMART DSMR 5-Kanal nur TX | ÉMETTEUR UNIQUEMENT DSMR 5 CANAUX SMART DX5C | DX5C SMART 5CH DSMR SOLO TX |
| SPMXC1010 | Smart S2100 AC Charger, 2X100W | Smart S2100 Wechselstrom-Ladegerät, 2x100 W | Chargeur c.a. Smart S2100, 2 x 100 W | Caricabatterie Smart S2100 AC 2x100 W |
| SPMXC1070 | Smart S150 AC/DC Charger, 1x50W | Smart S150 Wechsel-/Gleichstrom-Ladegerät, 1x50 W | Chargeur Smart c.a./c.c. S150, 1 x 50 W | Caricabatterie Smart S150 AC/DC 1x50 W |
| SPMXC2010 | Smart S2200 G2 AC Charger, 2x20 | Smart S2200 G2 Wechselstrom-Ladegerät, 2x20 | Chargeur Smart CA S2200 G2, 2 x 20 | Caricabatterie Smart S2200 G2 AC 2x20 |
| DYNB28453 | 14.8V 2800mAh 4S 50CLiPo: 96mmEC | 14,8V 2800mAh 4S 50CLiPo: 96 mmEC | 14,8 V 2 800 mAh 4S 50C Li-Po : 96 mm, EC | 14,8V 2800 mAh 4S 50C LiPo: 96 mm EC |
| DYNB37353 | 11.1V 3700mAh 3S 50CLiPo 96mmEC | 11,1V 3700mAh 3S 50CLiPo 96 mmEC | 11,1 V 3 700 mAh 3S 50C Li-Po 96 mm EC | 11,1V 3700 mAh 3S 50C LiPo 96 mm EC |
| SP-MX50002S100H5 | 5000mAh 2S 7.4V Smart 100C; IC5 | 5000 mAh 2S 7,4V Smart 100C, IC5 | 5 000 mAh 2S 7,4V Smart 100C ; IC5 | 5000 mAh 2S 7,4V Smart 100C; IC5 |
| SP-MX50002S50H5 | 5000mAh 2S 7.4V Smart 50C; IC5 | 5000 mAh 2S 7,4V Smart 50C; IC5 | 5000 mAh 2S 7,4 V Smart 50 C ; IC5 | 5000 mAh 2S 7,4V Smart 50C; IC5 |
| SP-MX50003S100H5 | 5000mAh 3S 11.1V Smart 100C; IC5 | 5000 mAh 3S 11,1 V Smart 100C, IC5 | 5 000 mAh 3S 11,1 V Smart 100C ; IC5 | 5000 mAh 3S 11,1 V Smart 100C; IC5 |
| SP-MX50003S50H5 | 5000mAh 3S 11.1V Smart 50C; IC5 | 5000 mAh 3S 11,1 V Smart 50C; IC5 | 5 000 mAh 3S 11,1 V Smart 50C ; IC5 | 5000 mAh 3S 11,1 V Smart 50C; IC5 |
| SP-MX50004S100H5 | 5000mAh 4S 14.8V Smart 100C; IC5 | 5000 mAh 4S 14,8 V Smart 100C, IC5 | 5 000 mAh 4S 14,8 V Smart 100C ; IC5 | 5000 mAh 4S 14,8 V Smart 100C; IC5 |
| SP-MX50004S50H5 | 5000mAh 4S 14.8V Smart 50C; IC5 | 5000 mAh 4S 14,8 V Smart 50C; IC5 | 5 000 mAh 4S 14,8 V Smart 50C ; IC5 | 5000 mAh 4S 14,8 V Smart 50C; IC5 |
| SPMX52S50H5 | 5000mAh 2S 7.4V Smart G2 50C; I | 5000 mAh 2S 7,4V Smart G2 50C; I | 5000 mAh 2S 7,4 V Smart G2 50 C ; I | 5000 mAh 2S 7,4V Smart G2 50C; I |
| SPMX53S50H5 | 5000mAh 3S 11.1V Smart G2 50C; I | 5000 mAh 3S 11,1V Smart G2 50C; I | 5000 mAh 3S 11,1 V Smart G2 50 C ; I | 5000 mAh 3S 11,1 V Smart G2 50C; I |
| SPMX54S50H5 | 5000mAh 4S 14.8V Smart G2 50C; I | 5000mAh 4S 14,8V Smart G2 50C; I | 5000 mAh 4S 14,8 V Smart G2 50 C ; I | 5000 mAh 4S 14,8 V Smart G2 50C; I |