

TRAIL PROVEN OFF-ROAD PERFORMANCE

SCX10™

SCX10™ II RAW BUILDER'S KIT


1/10th SCALE ELECTRIC 4WD



www.axialracing.com

SCX10

CAUTIONS

 **To prevent serious personal injury and/or property damage, operate all remotely controlled models in a responsible manner as outlined herein.**

CHOOSE THE RIGHT PLACE TO OPERATE YOUR R/C MODEL.

- Do not run on public streets or highways. This could cause serious accidents, personal injuries, and/or property damage.
- Never run R/C models near people or animals.
- To avoid injury, do not run in confined spaces.
- Do not run where loud noises can disturb others, such as hospitals and residential areas.
- Never run indoors. There is a high risk of fire and/or damage.


INSPECT YOUR MODEL BEFORE OPERATION.

- Make sure that all screws and nuts are properly tightened. It is also a good idea to use removable thread lock wherever metal screws go into metal, especially for engine mounts and the engine pilot shaft.
- Always use fresh batteries for your transmitter and for your receiver to avoid losing control of the model.
- Always test the brakes and throttle before starting your engine to avoid losing control of the model.
- Make sure no one else is using the same radio frequency as you are using.

AFTER OPERATION OF YOUR R/C MODEL

- Disconnect the battery from the ESC, then turn off the transmitter. This will prevent runaways.
- Be careful when handling batteries, they will be hot after running.
- Replace any batteries that have been dented or have frayed wires, short circuits can cause fire.
- Be sure to keep your R/C model clean and free of excess dirt and grease, this will increase the life.

VORSICHT!

 **Um Verletzungen an Personen und/oder Sachschäden zu vermeiden, sollten alle ferngesteuerten Modelle sorgfältig und verantwortungsbewusst bedient werden, wie nachfolgend beschrieben.**

Wählen Sie den richtigen Platz zum Fahren

- Fahren Sie niemals auf öffentlichen Straßen. Dies könnte Verkehrsunfälle, Personen schäden oder Sachschäden verursachen.
- Fahren Sie niemals in der Nähe von anderen Personen oder Tieren.
- Fahren Sie niemals auf belebten Straßen.
- Fahren Sie nie in der Nähe von Wohnhäusern oder Krankenhäusern. Der Lärm könnte andere Personen stören.
- Fahren Sie niemals in Innenräumen. Dort könnte etwas beschädigt werden.

Überprüfen Sie Ihr Modell, bevor Sie es in Betrieb nehmen.

- Gehen Sie sicher, dass alle Schrauben und Muttern festgezogen sind. Verwenden Sie überall dort Schrauben-Sicherungslock, wo Metallschrauben in ein Metallgewinde greifen, besonders bei den Motorhaltern.
- Um Störungen zu vermeiden, benutzen Sie immer voll geladene Akkus in Ihrem Sender und Empfänger.
- Bevor Sie den Motor starten, sollten Sie immer die Funktion der Bremse und des Gashebels testen.
- Gehen Sie sicher, dass niemand mit der gleichen Frequenz fährt wie Sie.

Nach Betrieb des RC Modells:

- Zuerst den Empfänger abdrehen, dann den Sender abdrehen um unkontrolliertes Durchgehen zu vermeiden.
- Seien Sie vorsichtig mit gebrauchten Akkus, sie können nach dem Gebrauch heiß sein.
- Ersetzen Sie Akkus/Batterien die beschädigt sind oder schadhafte Kabel aufweisen, sie können Kurzschlüsse oder Feuer verursachen.
- Halten Sie Ihr Fahrzeug sauber und entfernen Sie Schmutz und Schmierfett, damit erhöhen Sie die Lebensdauer Ihres Modells.

PRECAUTIONS

 **Afin d'éviter toutes blessures corporelles et/ou dommages environnants, veuillez procéder en toute responsabilité comme indiqué ci-dessous**

Choisir le lieu adéquat pour faire rouler votre modèle.

- Ne jamais rouler dans les rues ou sur les routes ouvertes au public. Ceci peut provoquer de graves accidents.
- Ne jamais rouler près de personnes ou d'animaux.
- Pour éviter les blessures, ne pas rouler dans des espaces confinés.
- Ne jamais rouler où le bruit peut déranger, comme aux abords des hôpitaux ou des quartiers résidentiels.
- Ne jamais rouler à l'intérieur: les gaz d'échappement sont nocifs.

Controler votre modèle avant chaque utilisation.

- Vérifier que les vis et les écrous sont bien serrés. Il est très fortement conseillé d'utiliser du frein filet pour bloquer les vis qui sont en contact avec du métal et tout particulièrement les vis du moteur.
- Toujours utiliser des batteries bien chargées pour l'émission et la réception.
- Toujours vérifier les freins et la commande des gaz avant de démarrer.
- Vérifier qu'aucune autre personne n'utilise votre fréquence radio.

Après l'Opération De Votre Modèle de R/C

- Le virage du récepteur premier, alors virage de l'émetteur, ceci empêchera des fugitifs.
- Faire attention en contrôlant des piles, ils auront chaud après avoir couru.
- Remplacer n'importe quelles piles qui ont été cabossées ou a éraillé des fils, les court-circuits peuvent causer le feu.
- Etre sûr de garder votre modèle de R/C nettoie et libère de terre et la graisse supplémentaires, ceci augmentera la vie.

Equipment needed / Benötigtes Zubehör / Equipement nécessaire

Radio Gear / Fernsteueranlage / Equipement Radio

Radio control system

• You will need a 2-Channel radio system with one servo, receiver, an electronic speed control with an ON/OFF switch.

Fernsteueranlage

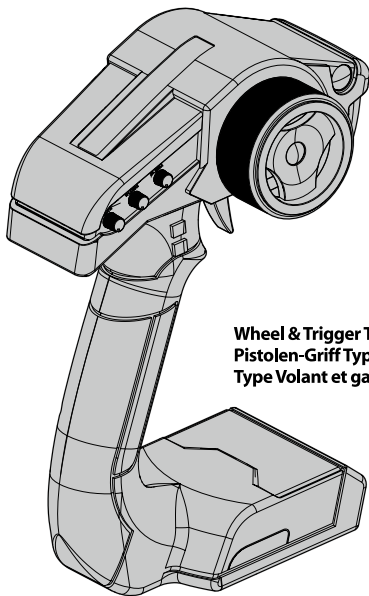
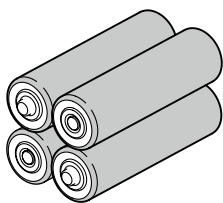
• Sie werden ein 2-Kanal Radio System mit einem Servo, Empfänger, eine elektronische Geschwindigkeitssteuerung mit einem Netzschalter brauchen.

Ensemble radiocommande

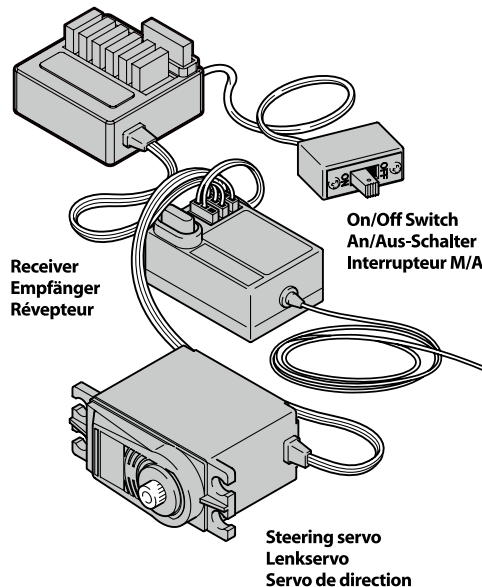
• Vous aurez besoin d'un système de radio de 2 Chaînes avec un servo, le récepteur, un contrôle de vitesse électronique avec un interrupteur(on-off).

- 4AA Alkaline Dry Batteries.
- 4 St. AA Trockenbatterien.
- 4 piles type R6 pour votre radio commande.

4x



Wheel & Trigger Type
Pistolen-Griff Typ
Type Volant et gachette

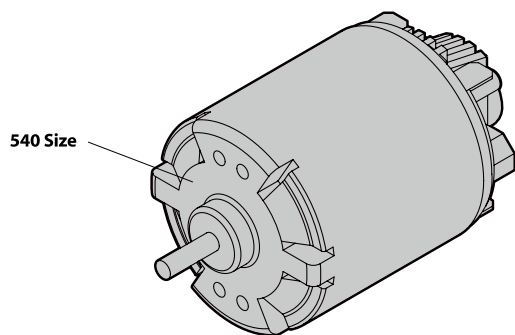


Receiver
Empfänger
Récepteur

On/Off Switch
An/Aus-Schalter
Interrupteur M/A

Steering servo
Lenkservo
Servo de direction

Motor / Motoren / Moteur



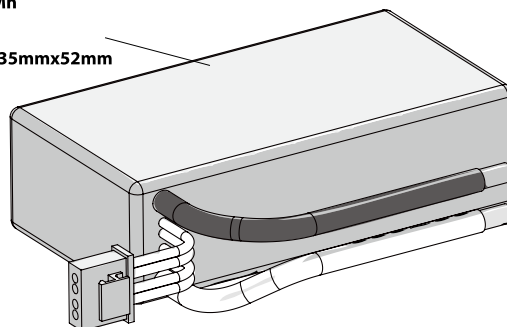
540 Size

Battery / Akku / Batterie

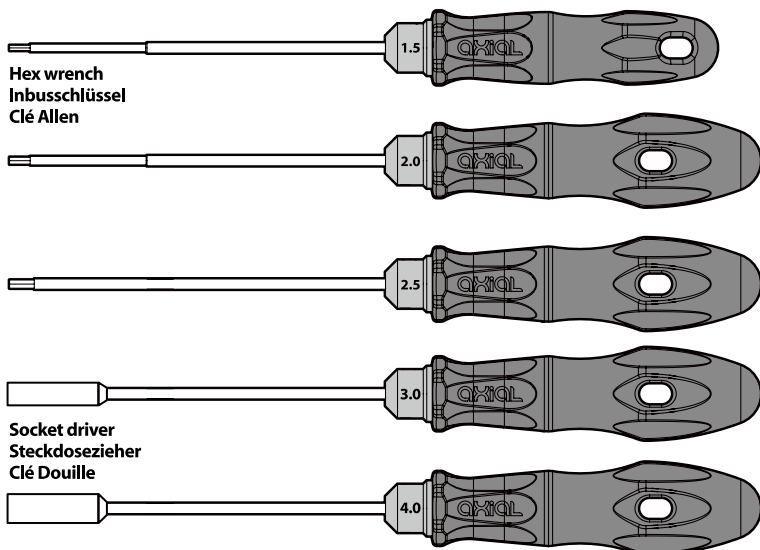
Battery / Akku / Batterie

Recommended Battery:
Standard 6-cell NiMh
Standard 2S Lipo

Max Size: 149mmx35mmx52mm

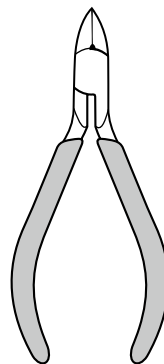


Tools Recommended / Benötigte Werkzeuge / Outillage

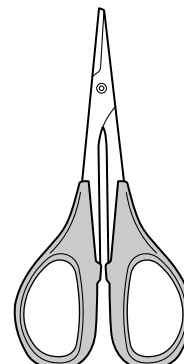


Hex wrench
Inbusschlüssel
Clé Allen

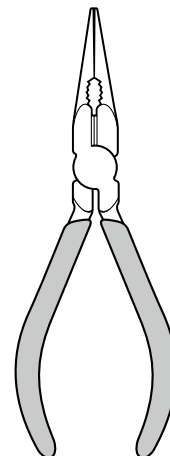
Socket driver
Steckdosezieher
Clé Douille



Side cutter
Seitenschneider
Pincès coupantes

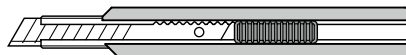


Curved scissors
Schere
Ciseaux

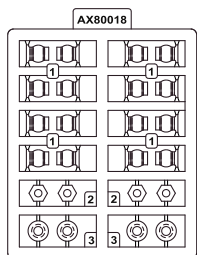


Long nose pliers
Flachzange
Pincès à becs longs

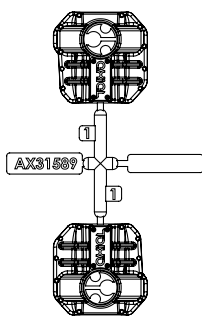
Modeling knife
Modelliermesser
Couteau de modéliste



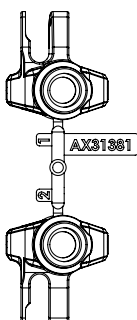
Parts Reference / Übersicht aller Teile / Référence des pièces



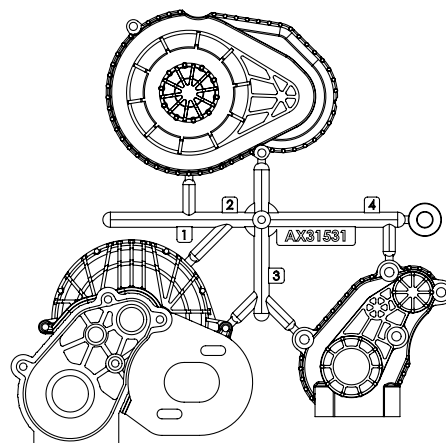
AX80018
Hardware Parts Tree **x2**



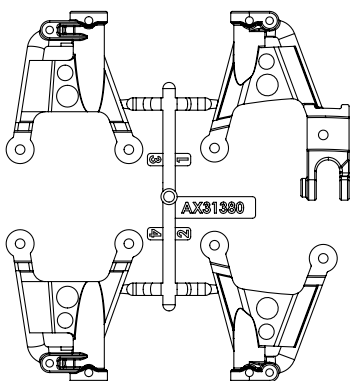
AX31589
AR44 Differential Covers (Red) **x1**



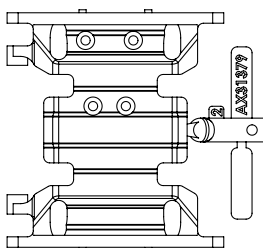
AX31381
AR44 Steering Knuckles **x1**



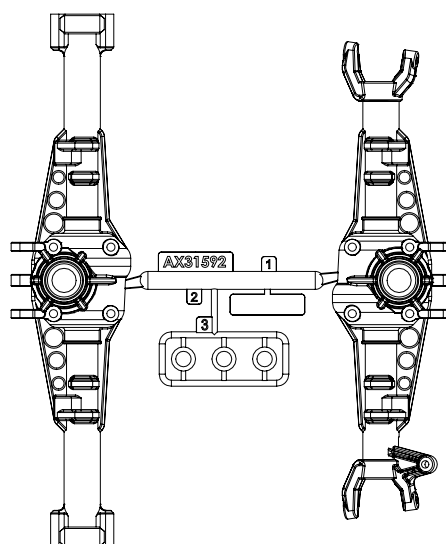
AX31531
LCX Transmission Case (Silver) **x1**



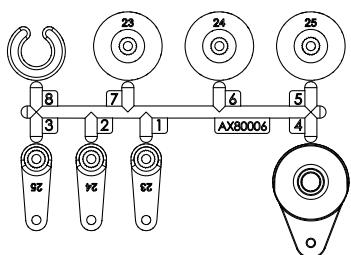
AX31380
SCX10 II Shock Hoops **x1**



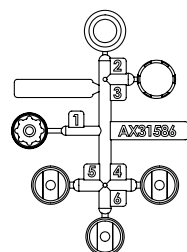
AX31379
SCX10 II Skid Plates **x1**



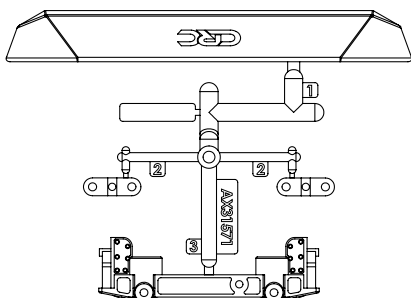
AX31592
AR44 Solid Axle Housing (Front and Rear) **x1**



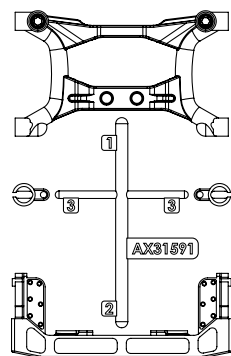
AX80006 **x1**
Servo Set



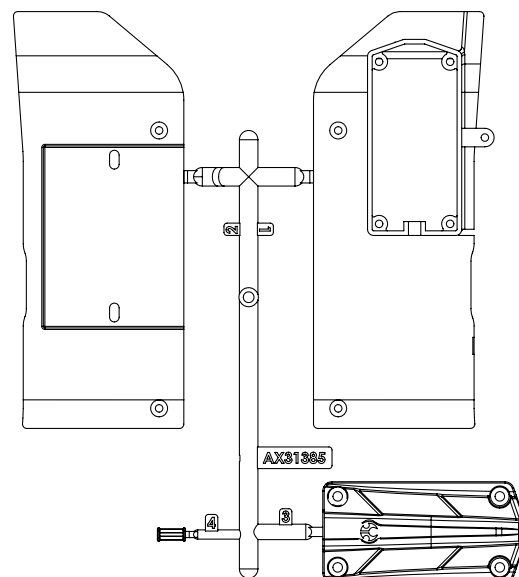
AX31586 **x2**
WB8-HD Standard Driveshaft



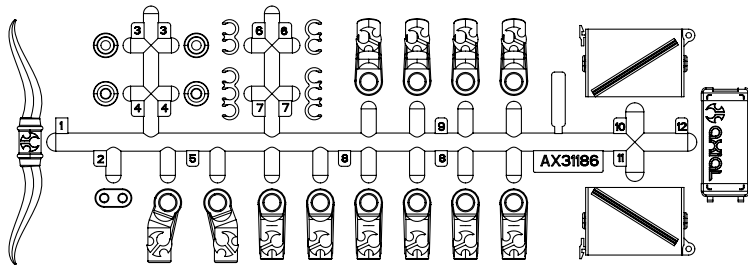
AX31571 **x1**
CRC JK Front Bumper



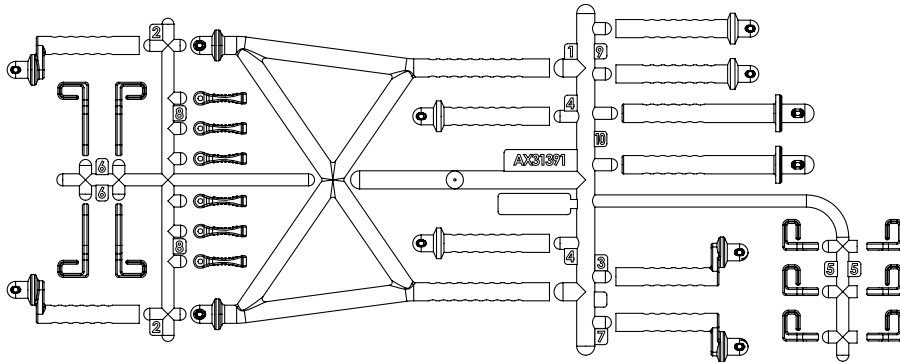
AX31591 **x1**
Chassis Brace Set



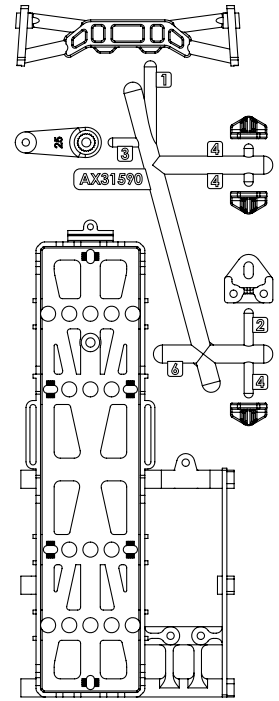
AX31385 **x1**
SCX10 II Side Plates



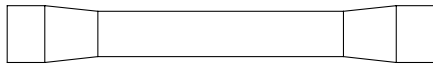
AX31186
M4 Rod End Set **x3**



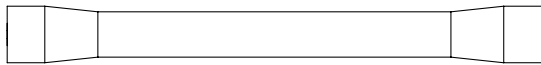
AX31391
SCX10 II Body Posts **x1**



AX31590
Battery Tray and Servo Mount Set **x1**



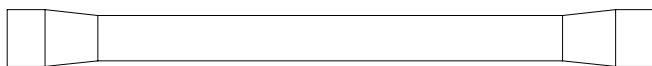
AX31423
7.5x56.5mm link **x2**



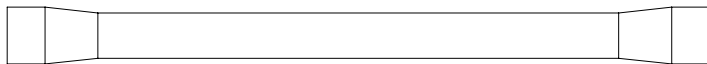
AX31421
7.5x71mm link **x3**



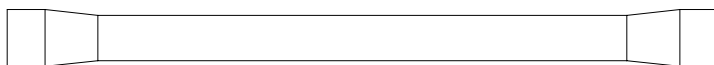
AX31419
7.5x80mm link **x4**



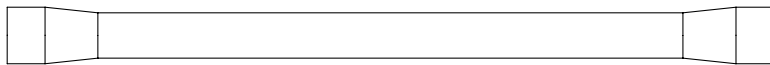
AX31486
7.5x85.5mm link - steering **x2**



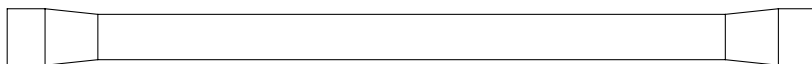
AX31422
7.5x93mm link **x2**



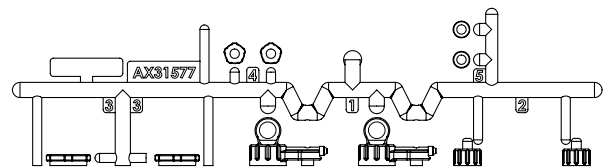
AX31487
7.5x94mm link - steering **x2**



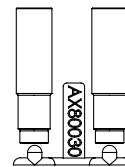
AX31420
7.5x101.5mm link **x2**



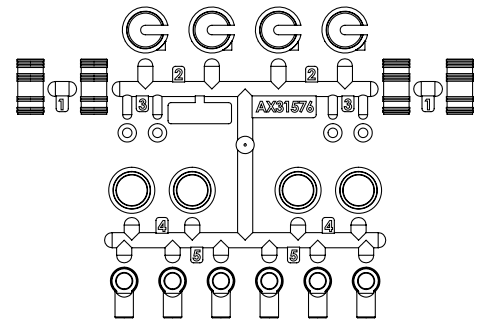
AX31424
7.5x107mm link - steering **x1**



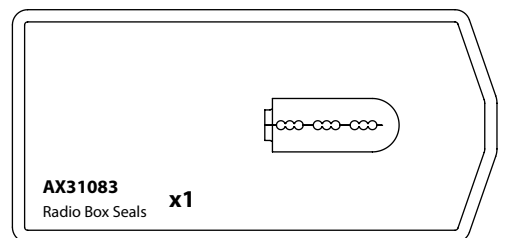
AX31577
Shock Cap Parts Tree **x2**



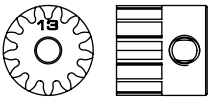
AX80030
61-90mm
Shock Body **x2**



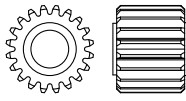
AX31576
10mm Shock Parts Tree **x1**



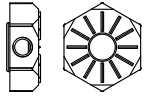
AX31083
Radio Box Seals **x1**



AX30724
Pinion Gear 32P 13T **x1**



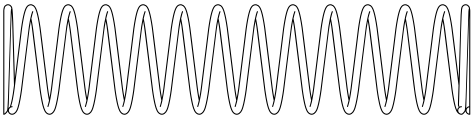
AX30394
20T Drive Gear **x1**



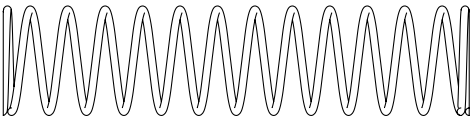
AX30427
Narrow 12mm Aluminum Hub **x4**



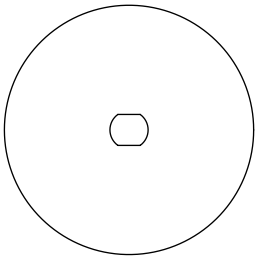
AX30413
Slipper spring 8.5x12 **x1**



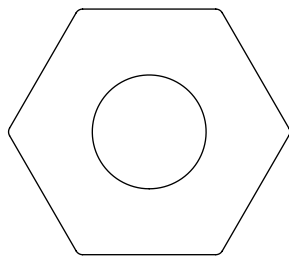
AX31145
Spring 12.5x60mm 2.63 lbs/in - (Yellow) **x2**



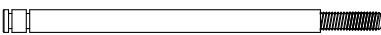
AX31441
Spring 12.5x60mm 1.13 lbs/in - (White) **x2**



AX31026
Slipper Plate Washer 33x5x1.5mm **x2**



AX31068
Slipper Pad 32.8x15.2x1mm **x2**

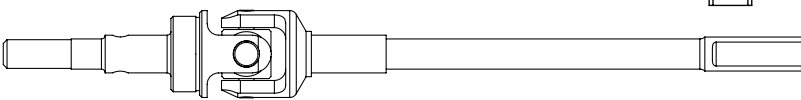


AX30146
Shock Shaft 3x50mm **x4**

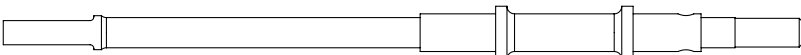
AX31418
SCX10 II Chassis Rails **x1**



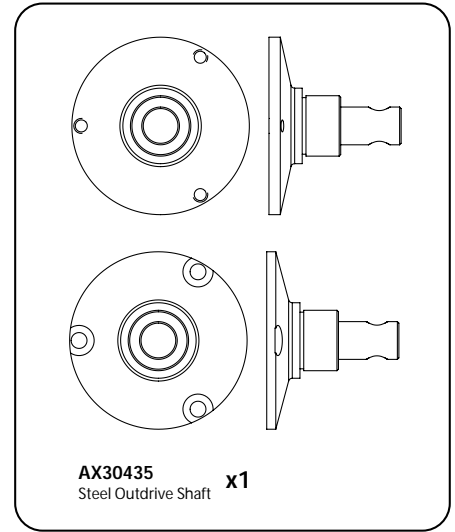
AX31539
Slipper Drive Gear Shaft **x1**



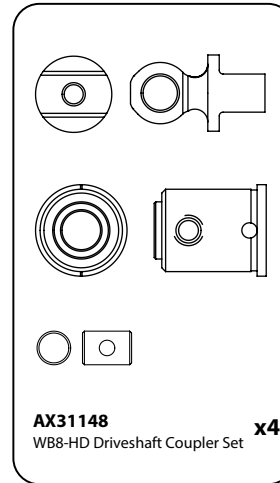
AX31402
AR44 UVJ Axle Assembly **x2**



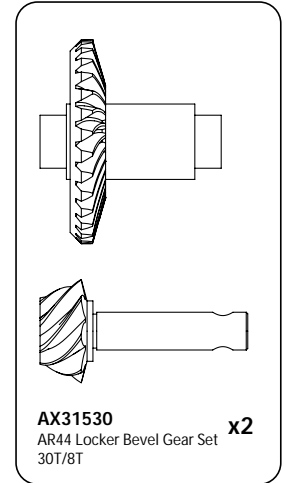
AX31408
AR44 Straight Axle Shaft 5x106mm **x2**



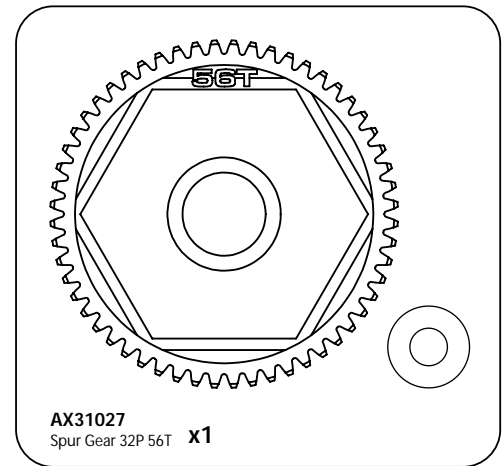
AX30435
Steel Outdrive Shaft **x1**



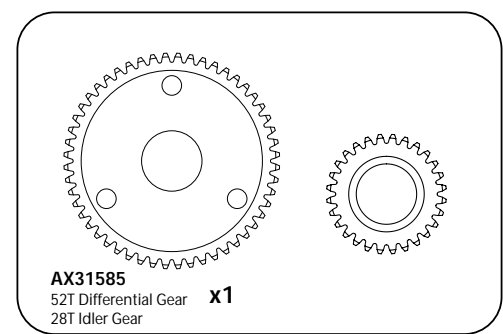
AX31148
WB8-HD Driveshaft Coupler Set **x4**






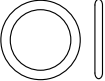
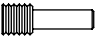

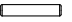


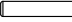


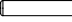


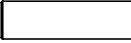









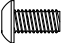
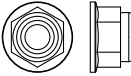



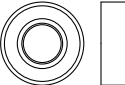

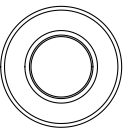

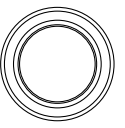




AX31530
AR44 Locker Bevel Gear Set 30T/8T **x2**

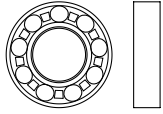


AX31027
Spur Gear 32P 56T **x1**

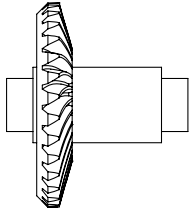


AX31585
52T Differential Gear 28T Idler Gear **x1**

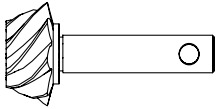
	AXA1179 O-Ring 2.5x1.5mm	x8		AXA1392 E2 e-clip	x8		AXA013 M2x6mm Hex Socket Cap Head	x9
	AXA1163 O-Ring 7x1mm	x4		AXA0286 Screw Shaft M4x12mm	x10		AXA0023 M2.6x8mm Cap Head	x2
	AX30162 Pin 1.5x8mm	x1		AXA180 M3x3mm Set Screw	x4		AX31399 M2.6x18mm Hex Socket Cap Head	x8
	AX30163 Pin 2x10mm	x4		AXA291 M4x4mm Set Screw	x1		AXA144 M3x8mm Hex Socket Flat Head	x5
	AX31028 PIN 2.0 x11	x4		AX31343 M4x20mm Set Screw	x20		AX31120 M3x10mm Hex Socket Flat Head	x4
	AX30190 Shaft 5x18	x1		AXA0109 M3x10mm Oversized Flat Hex Socket	x6		AXA146 M3x12mm Hex Socket Flat Head	x12
	AXA1070 Washer 3x6x0.5mm	x1		AX31403 M3x4x10mm Hex Socket Button Head Shoulder Screw	x4		AXA148 M3x18mm Hex Socket Flat Head	x4
	AXA1052 M3 Thin Nylon Locking Nut	x1		AX31373 M2.6x8mm Hex Socket Button Head	x5		AXA1059 6mm Body Clip	x4
	AXA1053 M3 Nylon Lock Nut	x1		AXA0113 M3x6mm Hex Socket Button Head	x5			
	AXA1045 M4 Nylon Lock Nut	x5		AXA114 M3x8mm Hex Socket Button Head	x2			
	AXA1218 Bearing 5x10x4mm	x4		AXA115 M3x10mm Hex Socket Button Head	x10			
	AXA1221 Bearing 5x11x4mm	x8		AXA117 M3x15mm Hex Socket Button Head	x20			
	AXA1225 Bearing 8x16x5mm	x2		AXA118 M3x18mm Hex Socket Button Head	x3			
	AXA1230 Bearing 10x15x4mm	x2		AXA119 M3x20mm Hex Socket Button Head	x1			
	AX31406 Bearing 7x14x3.5mm	x4		AXA120 M3x25mm Hex Socket Button Head	x2			
	AX31407 Bearing 5x14x5mm	x2						

A**Open Bag A****1****Open Plastic Bag 1**

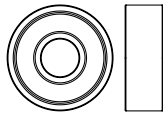
AX31406
7x14x3.5mm **x4**



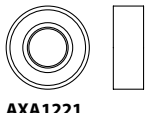
AX31530
30T Ring Gear -0.9 Module - 3.75 ratio **x2**



AX31530
8T Pinion Gear 0.9 module - 3.75 ratio **x2**



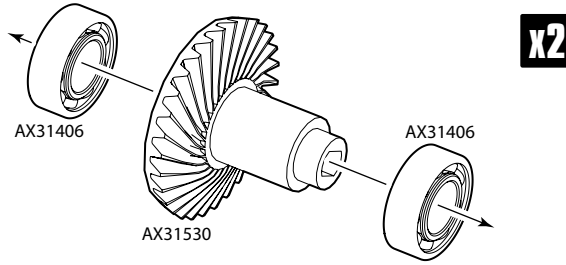
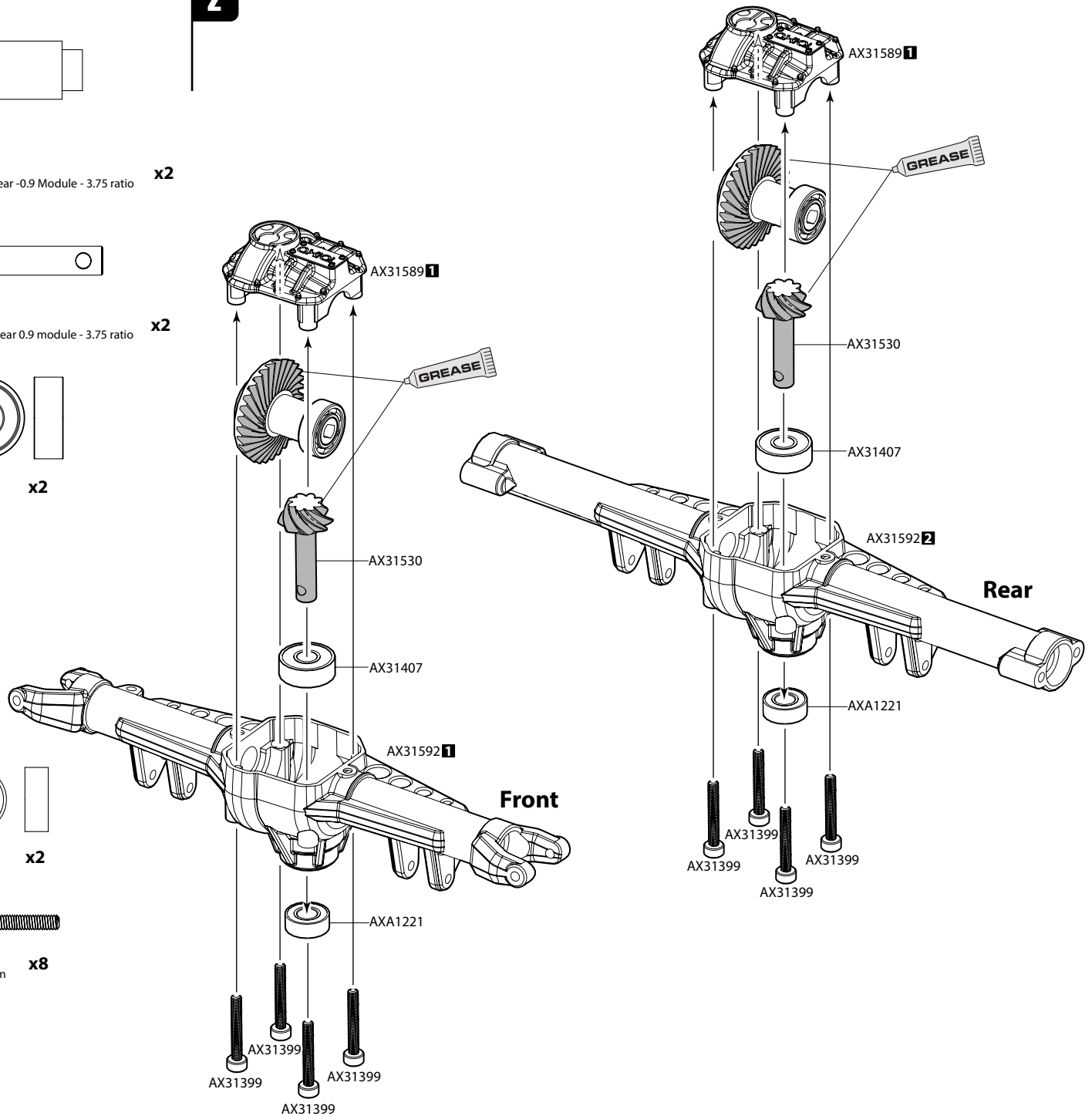
AX31407
5x14x5mm **x2**

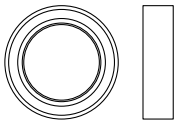


AXA1221
5x11x4mm **x2**

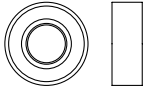


AX31399
M2.6x18mm **x8**

1**x2****2**

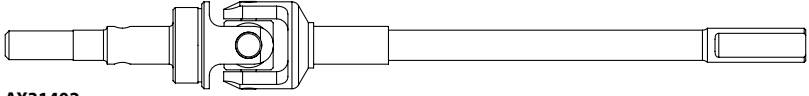
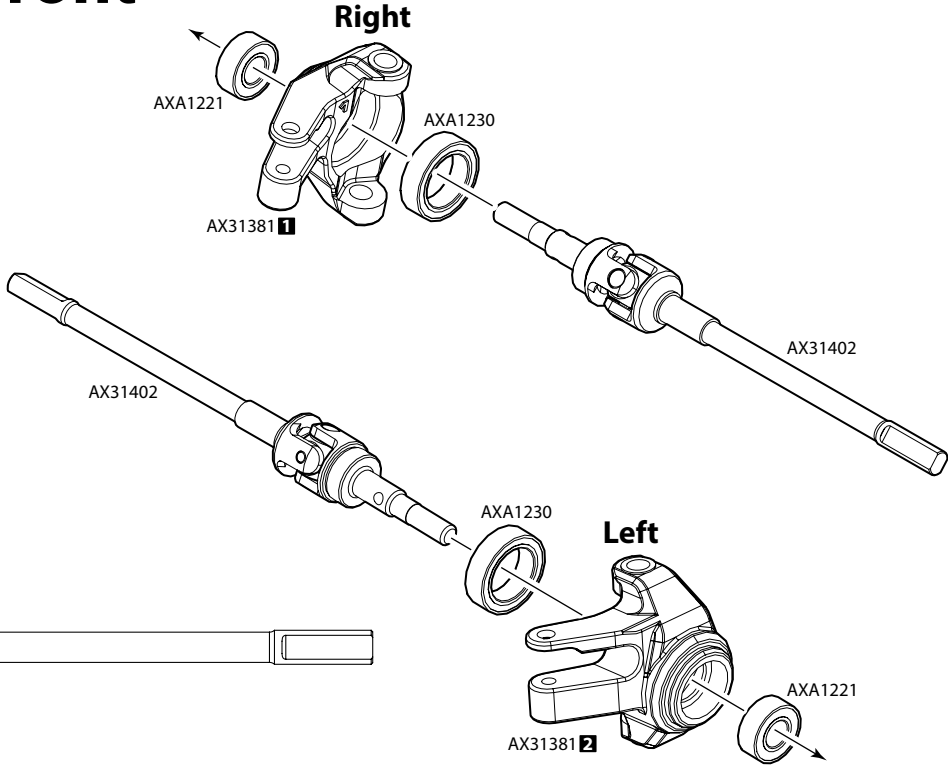


AXA1230
10x15x4mm **x2**

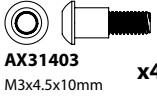


AXA1221
5x11x4mm **x2**

3 Front

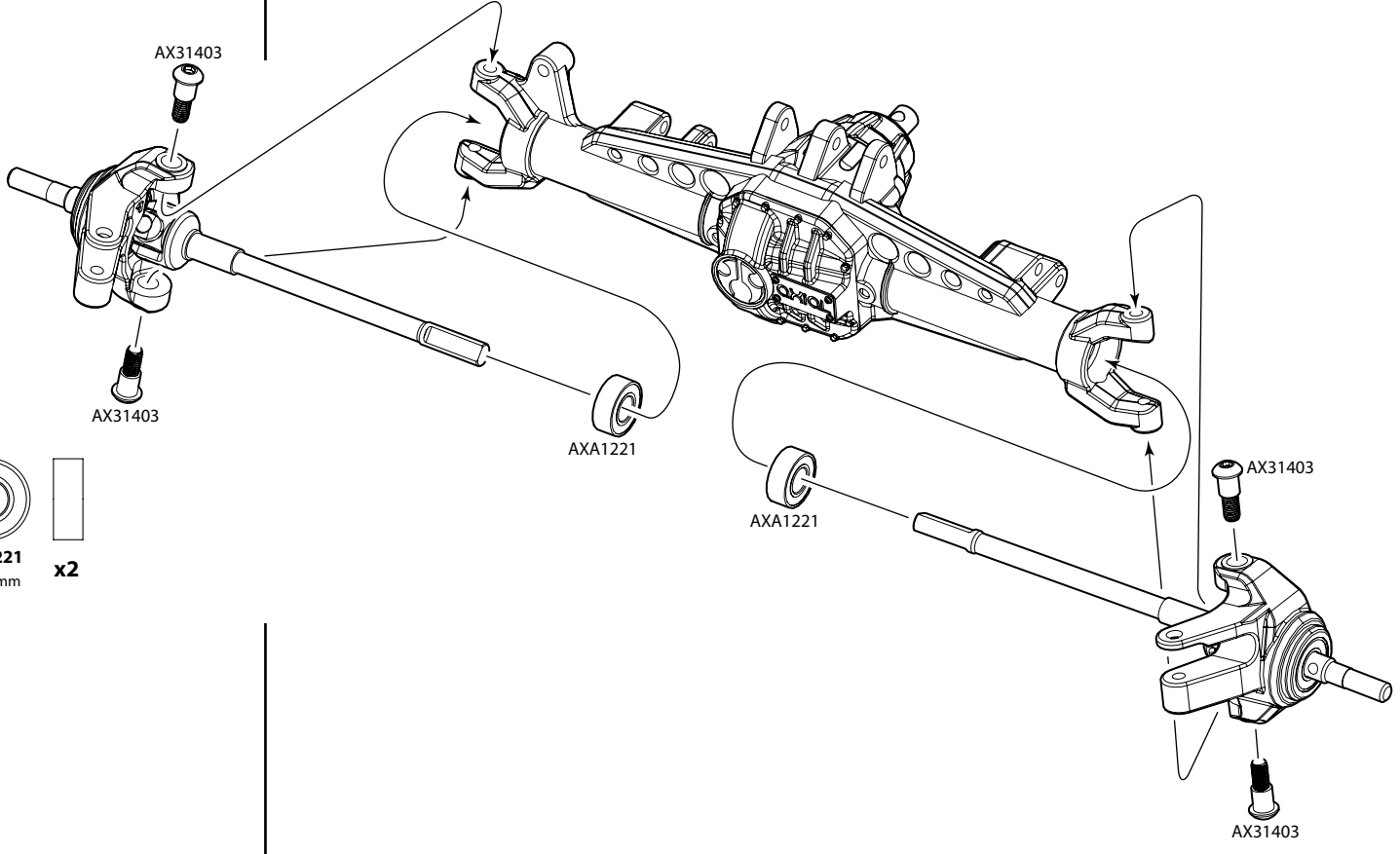


AX31402
AR44 UVJ Axle Assembly **x2**



AX31403
M3x4.5x10mm **x4**

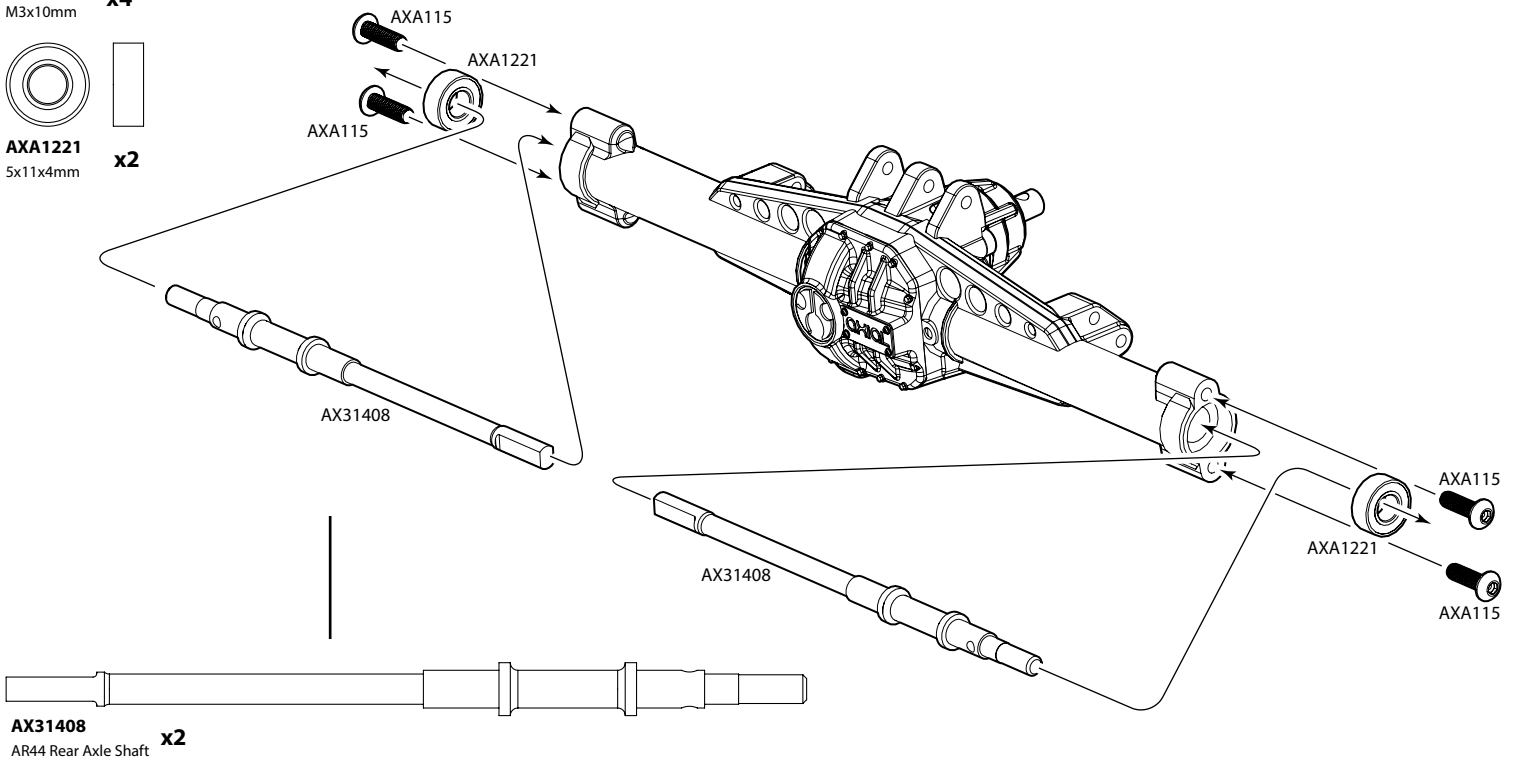
4 Front



AXA1221
5x11x4mm **x2**

5 Rear

- AXA115**
M3x10mm **x4**
- AXA1221**
5x11x4mm **x2**

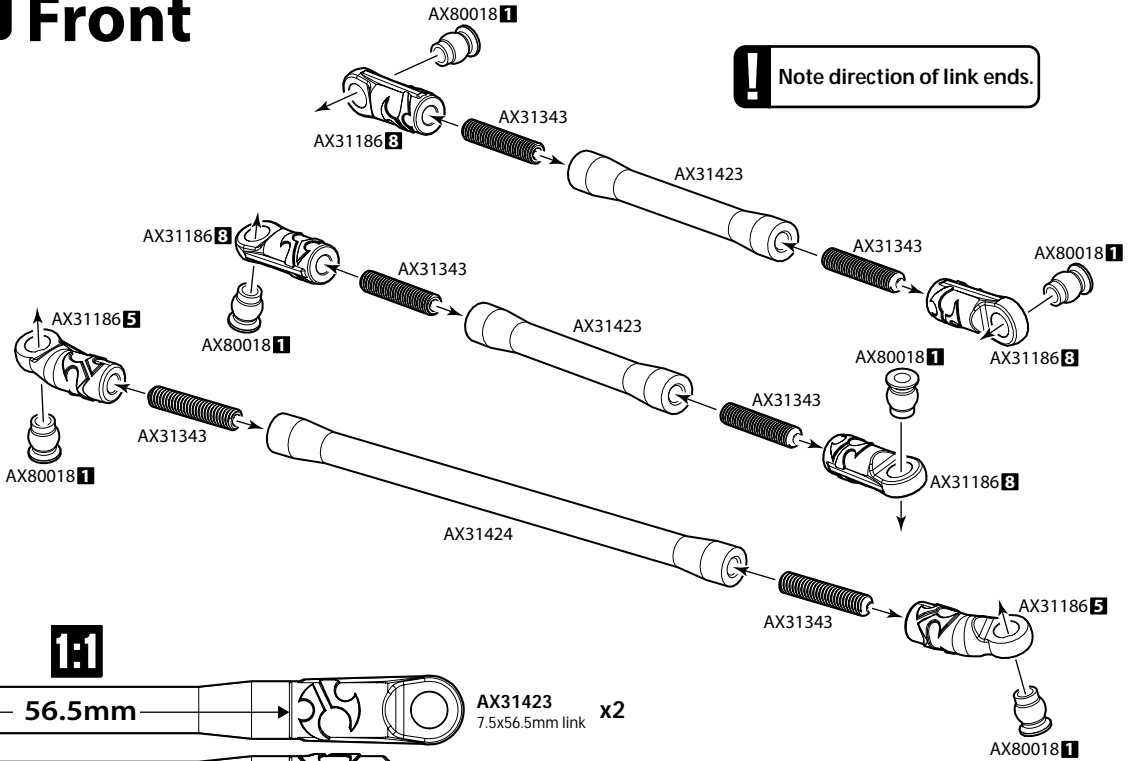


B Open Bag B

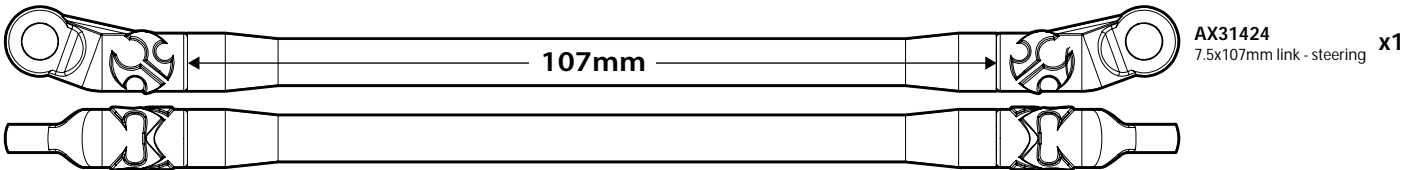
- AX31343**
M4x20mm **x6**

6 Front

! Note direction of link ends.



1:1



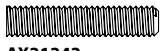
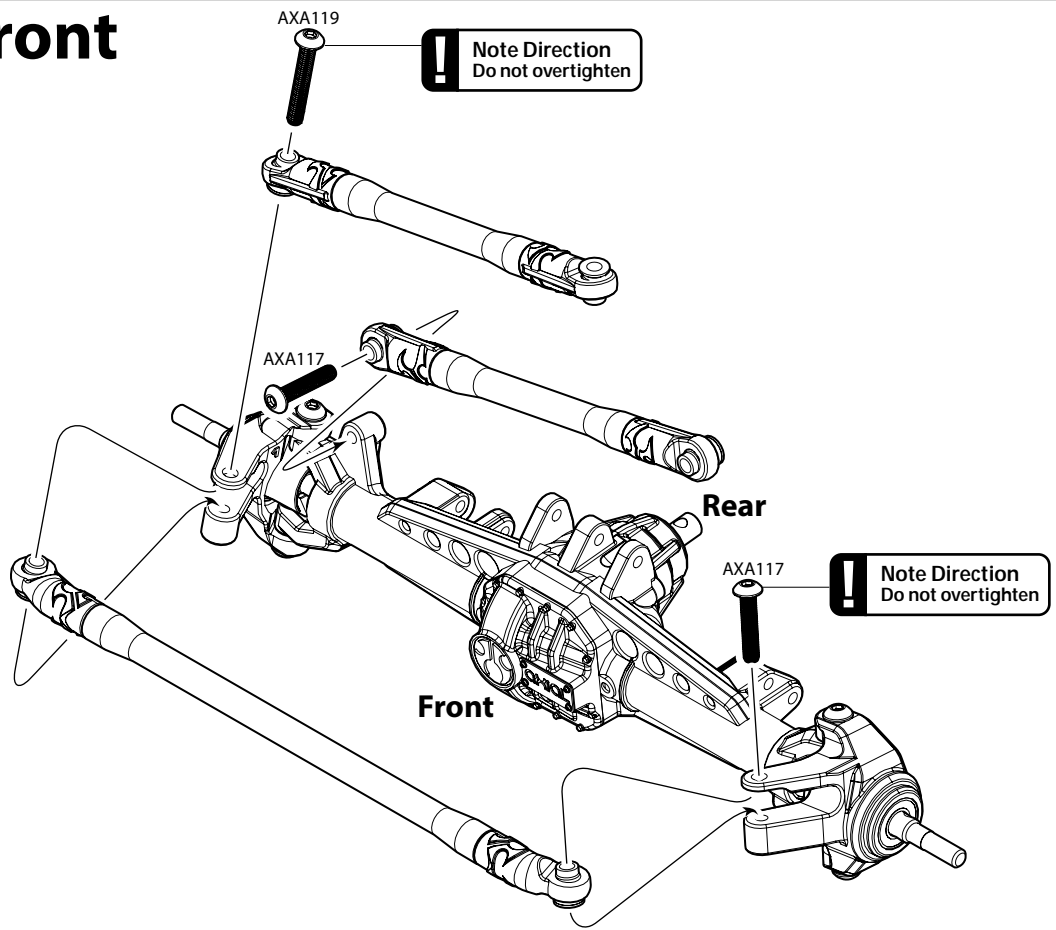


AXA119
M3x20mm x1



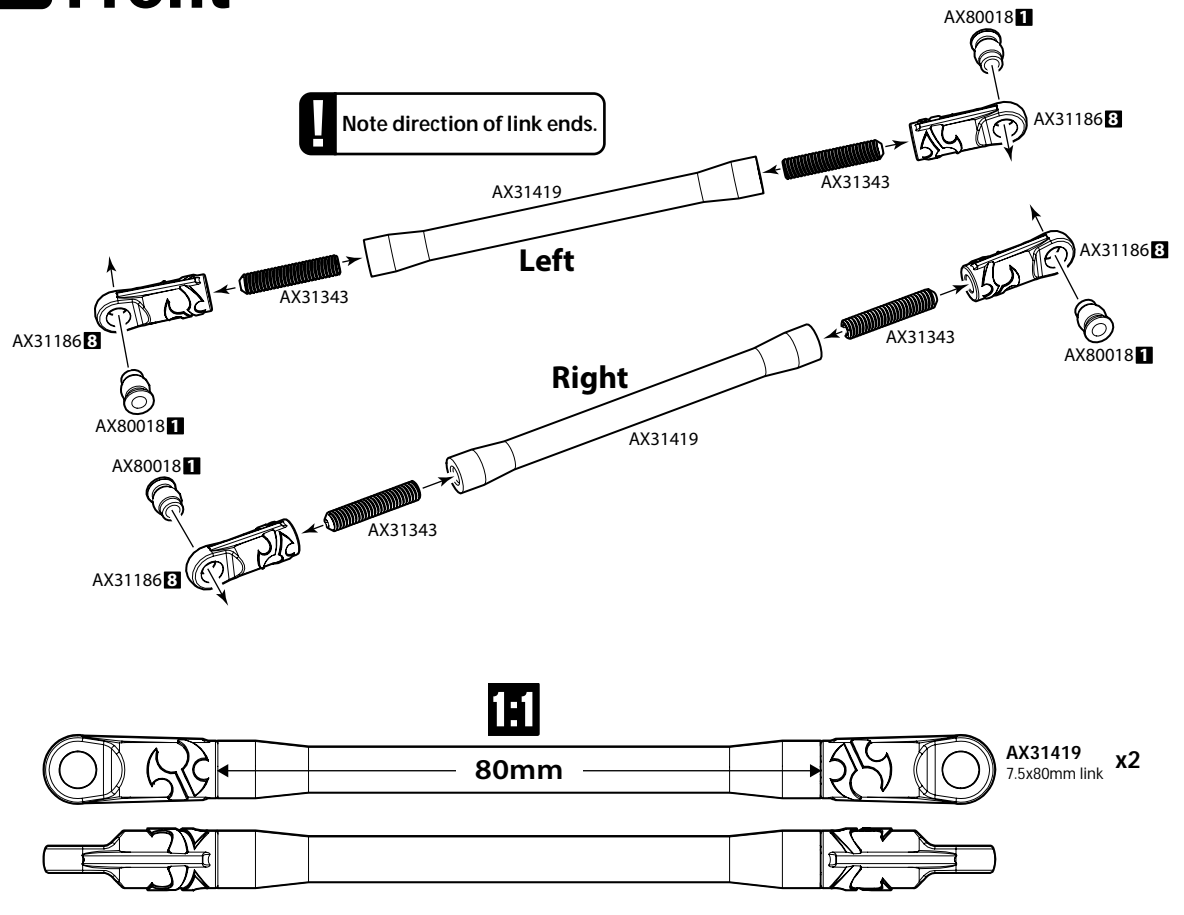
AXA117
M3x15mm x2

7 Front



AX31343
M4x20mm x4

8 Front

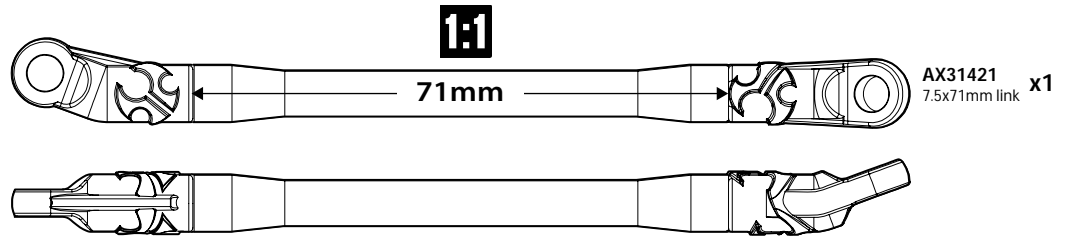
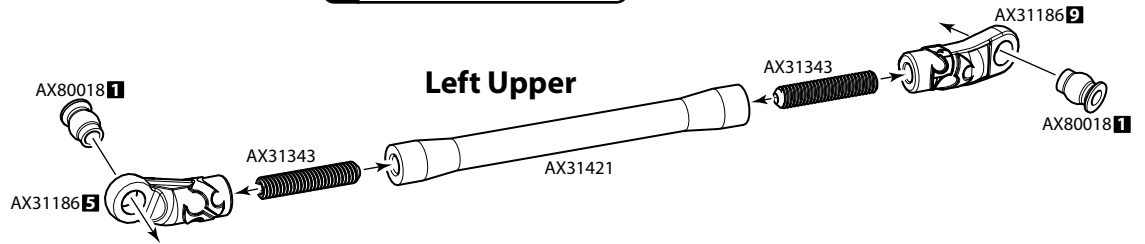


AX31343 x2
M4x20mm

9 Front

! Note direction of link ends.

! Note Direction

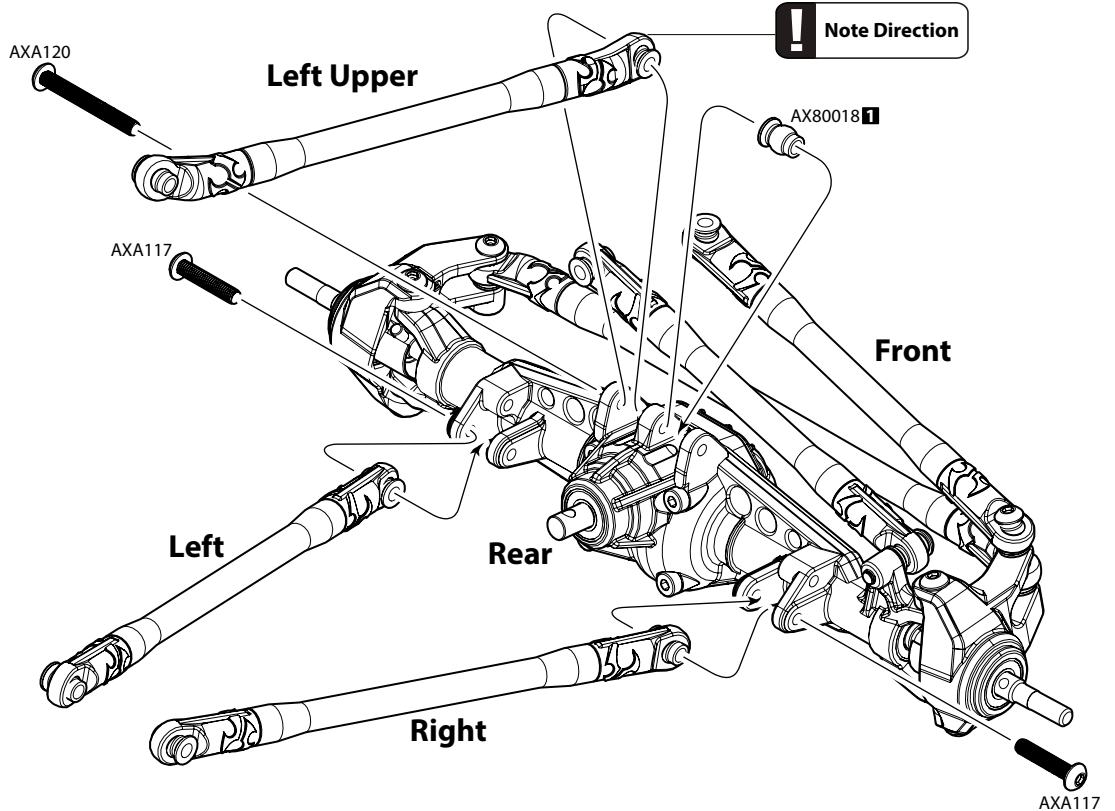


AXA120 x1
M3x25mm

AXA117 x2
M3x15mm

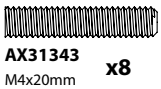
10 Front

! Note Direction

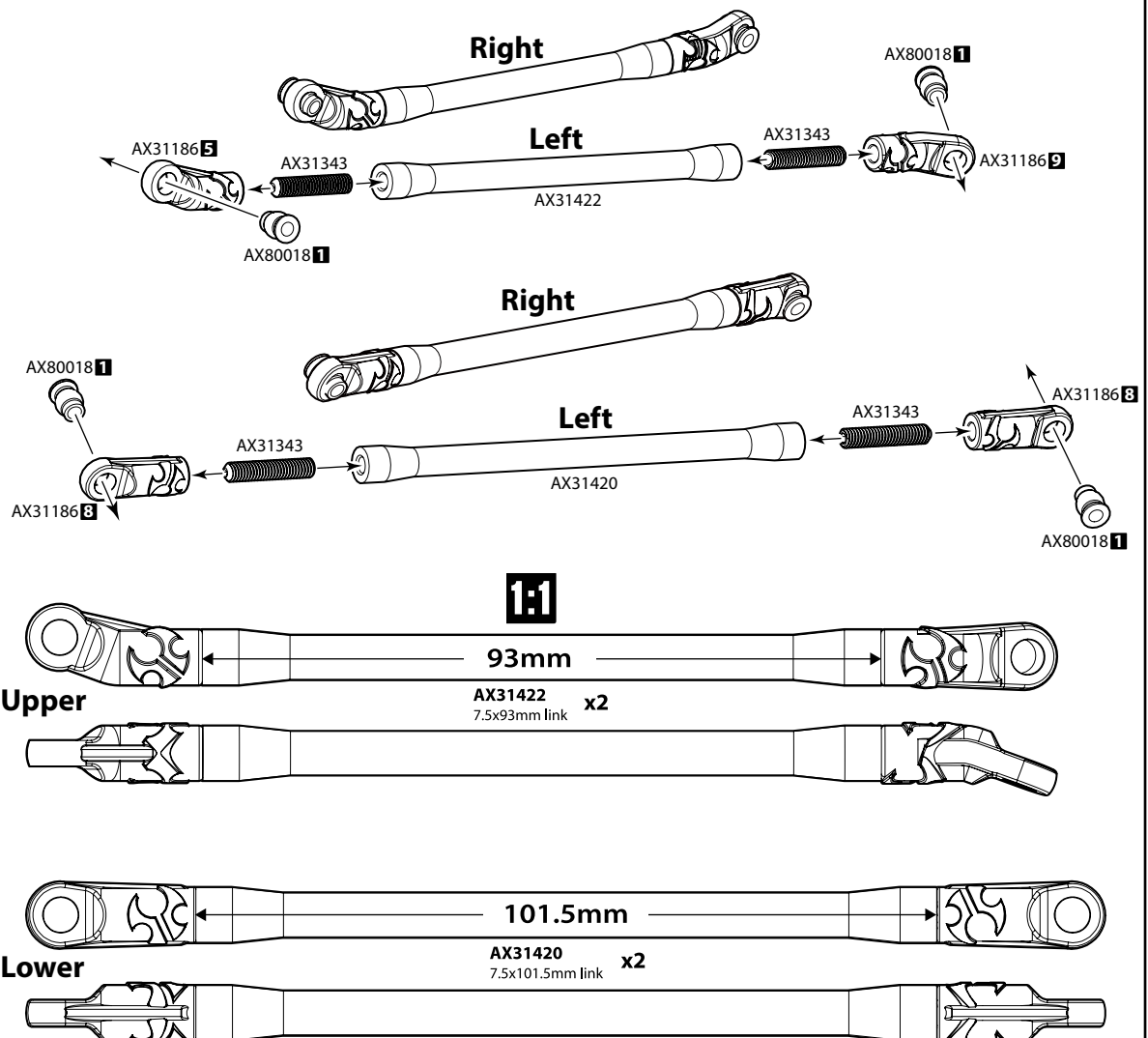


Rear Links

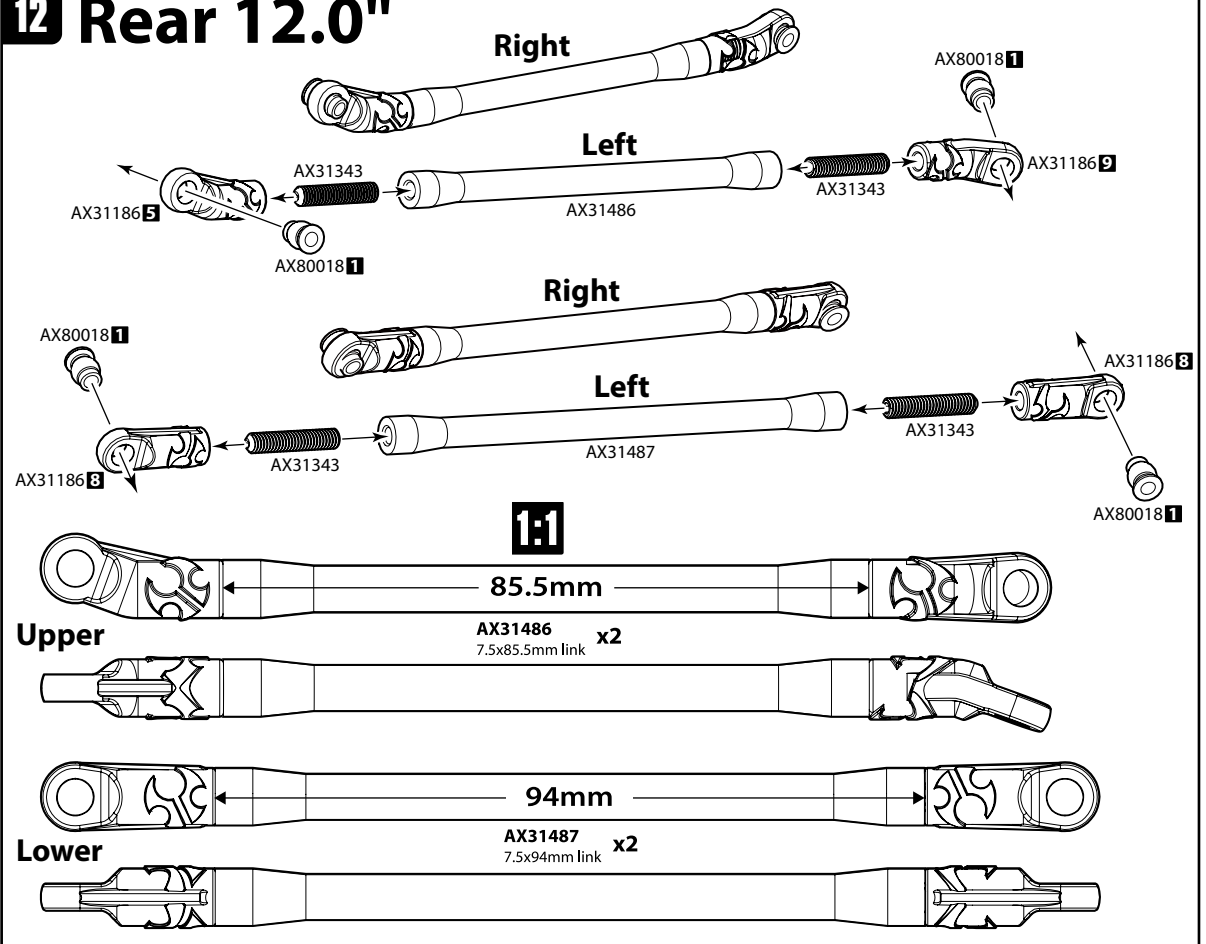
12.3" Wheelbase: Uses AX31422 for the upper and AX31420 for the lower.
12.0" Wheelbase: Uses AX31486 for the upper and AX31487 for the lower.
11.4" Wheelbase: Uses AX31421 for the upper and AX31419 for the lower.



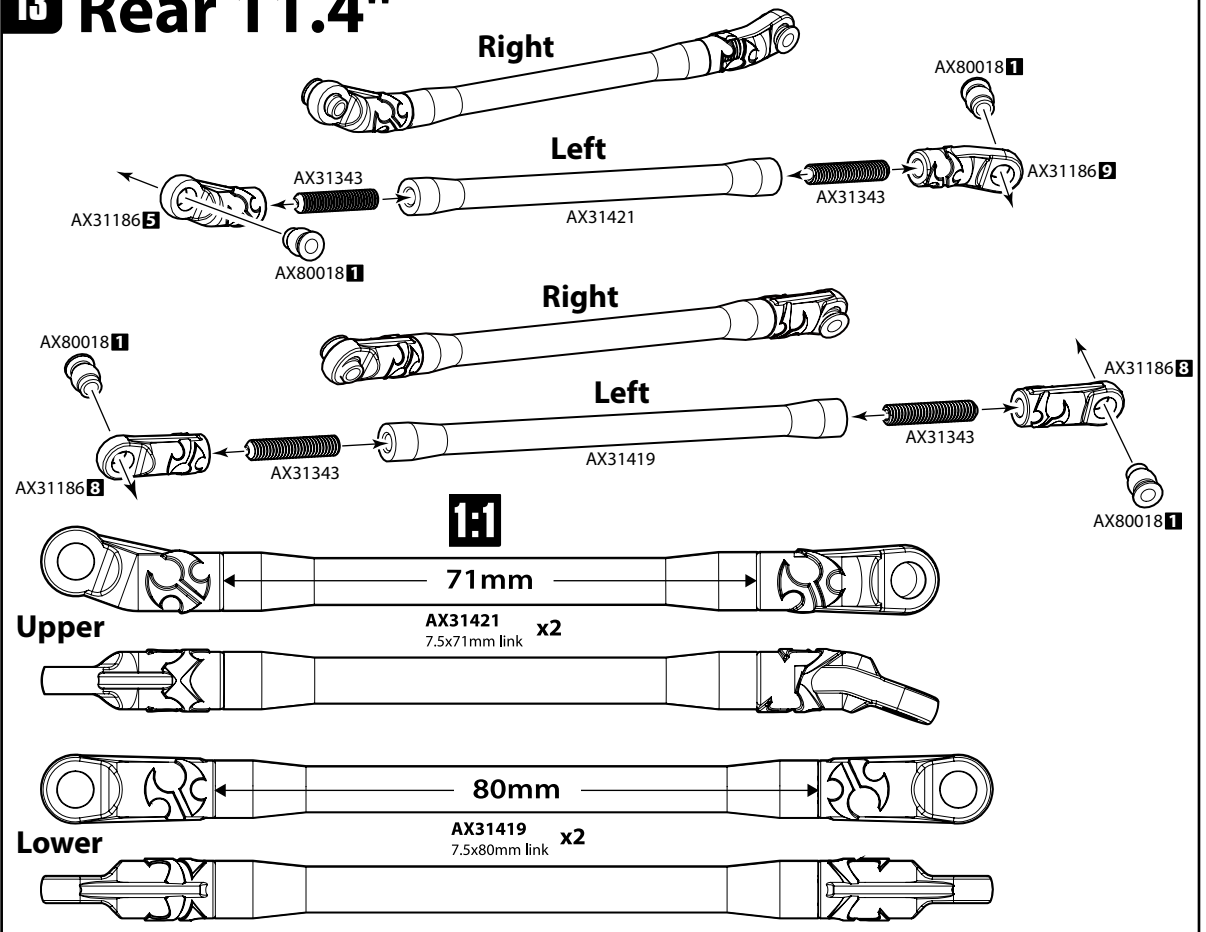
11 Rear 12.3"



12 Rear 12.0"



13 Rear 11.4"



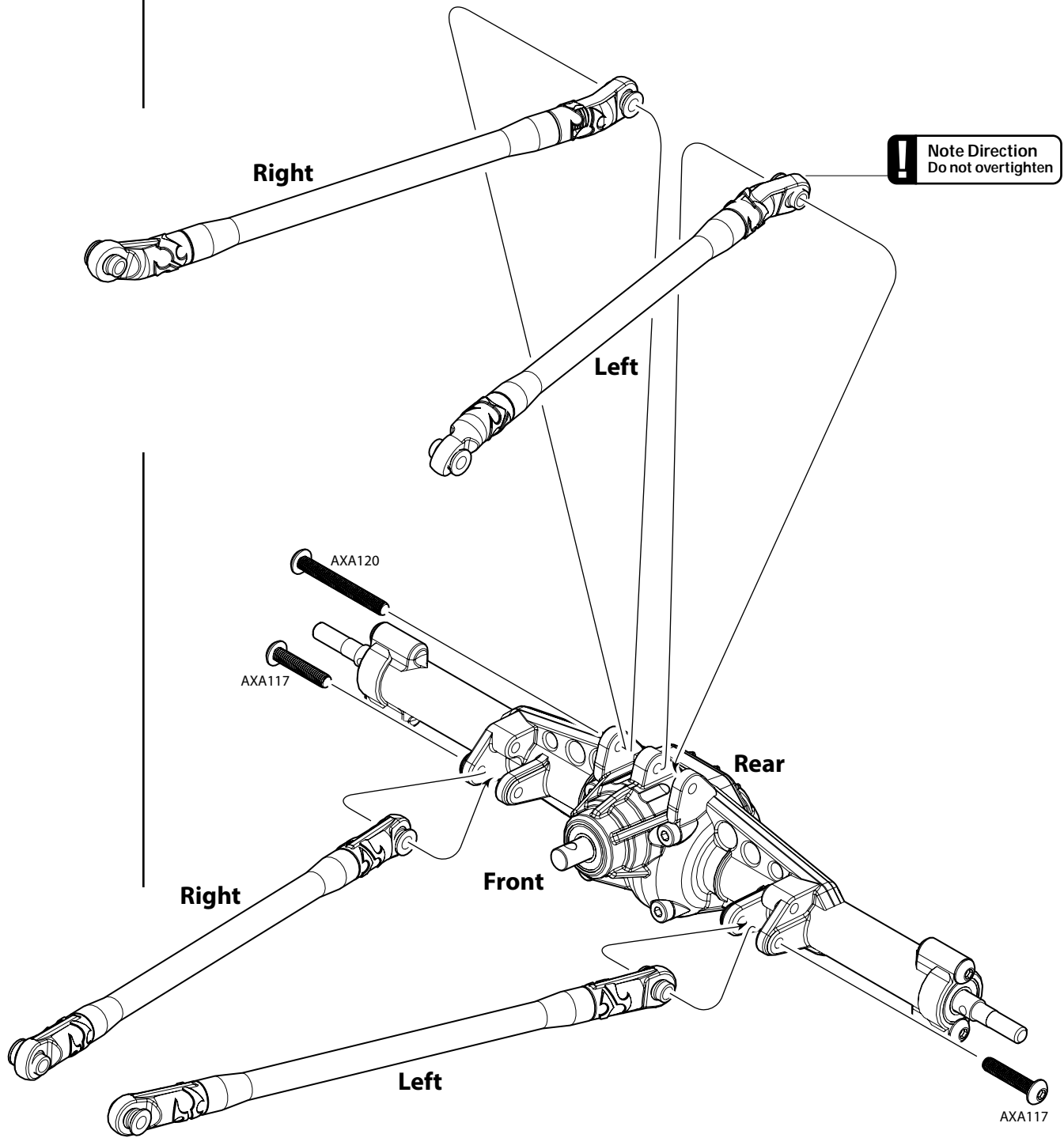


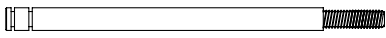
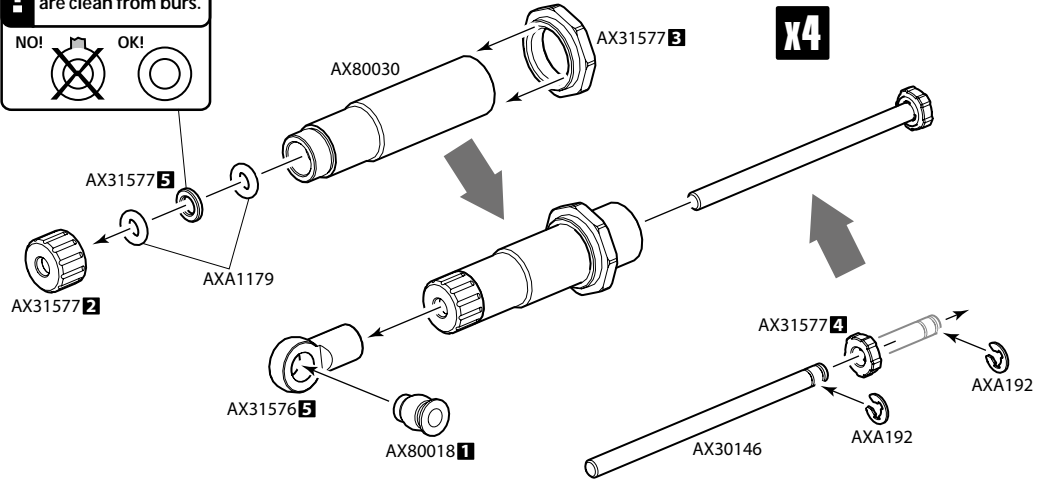
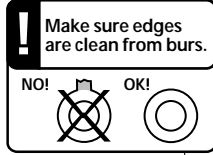
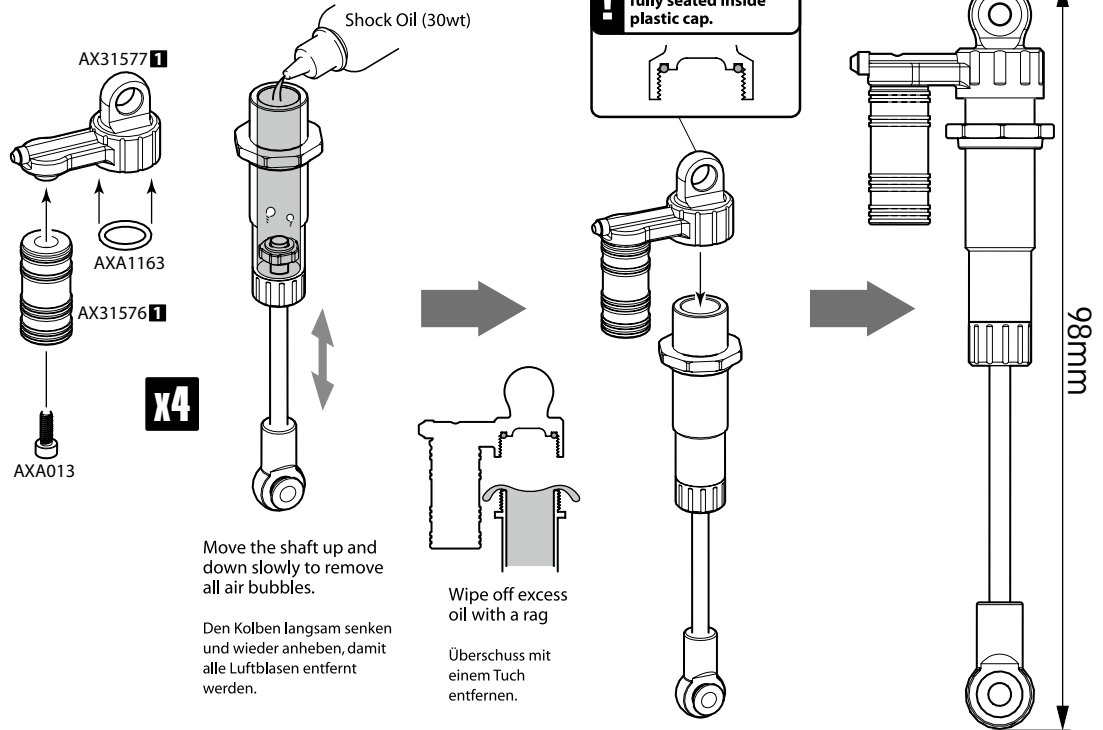
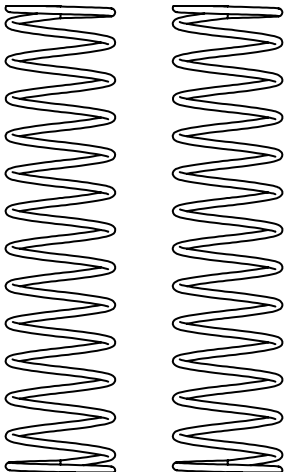
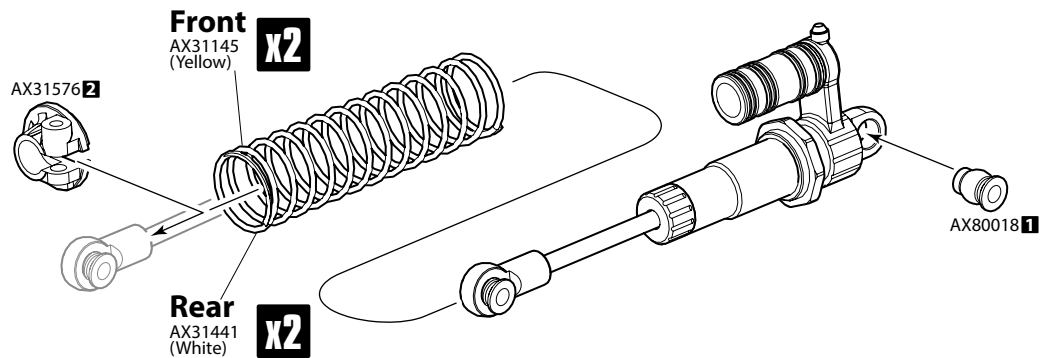
AXA120
M3x25mm **x1**

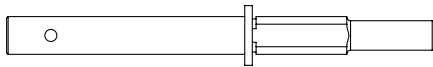


AXA117
M3x15mm **x2**

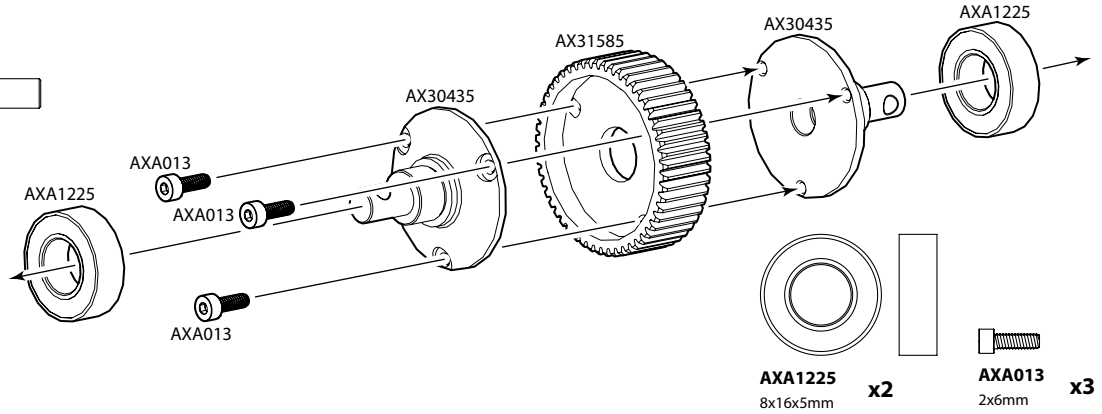
14 Rear



C**Open Bag C****2****Open Plastic Bag 2****AXA1179**
O-Ring 2.5x1.5mm **x8****AXA1392**
E2 e-clip **x8****AX30146**
Shock Shaft 3x50mm **x4****15****AXA1163**
O-Ring 7x1mm **x4****AXA013**
2x6mm **x4****16****Front****AX31145 X2**
Spring 12.5x60mm
2.63 lbs/in - (Yellow)**Rear****AX31441 X2**
Spring 12.5x60mm
1.13lbs/in - (White)**17**

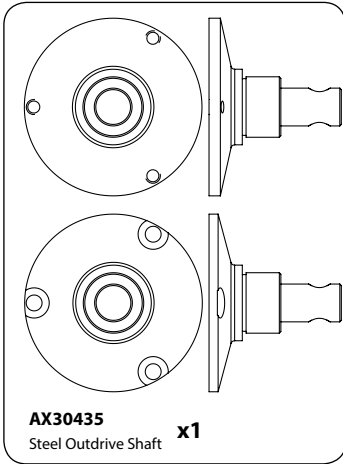
D**Open Bag D****18**

AX31539
Slipper Drive Gear Shaft **x1**

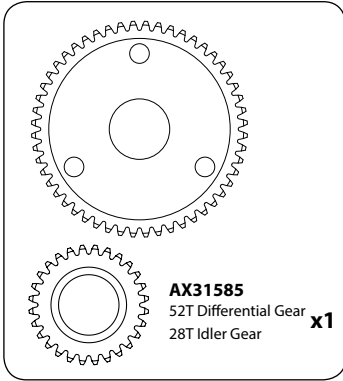


AXA1225
8x16x5mm **x2**

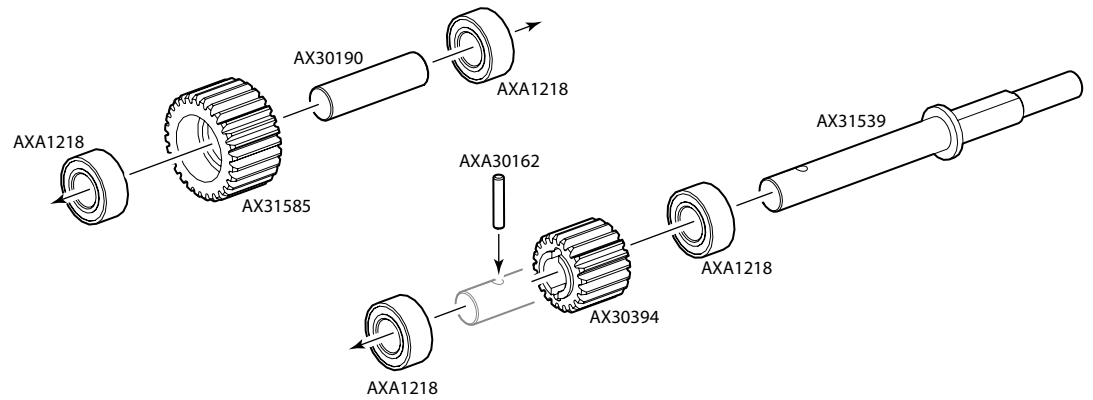
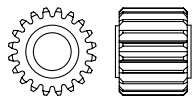
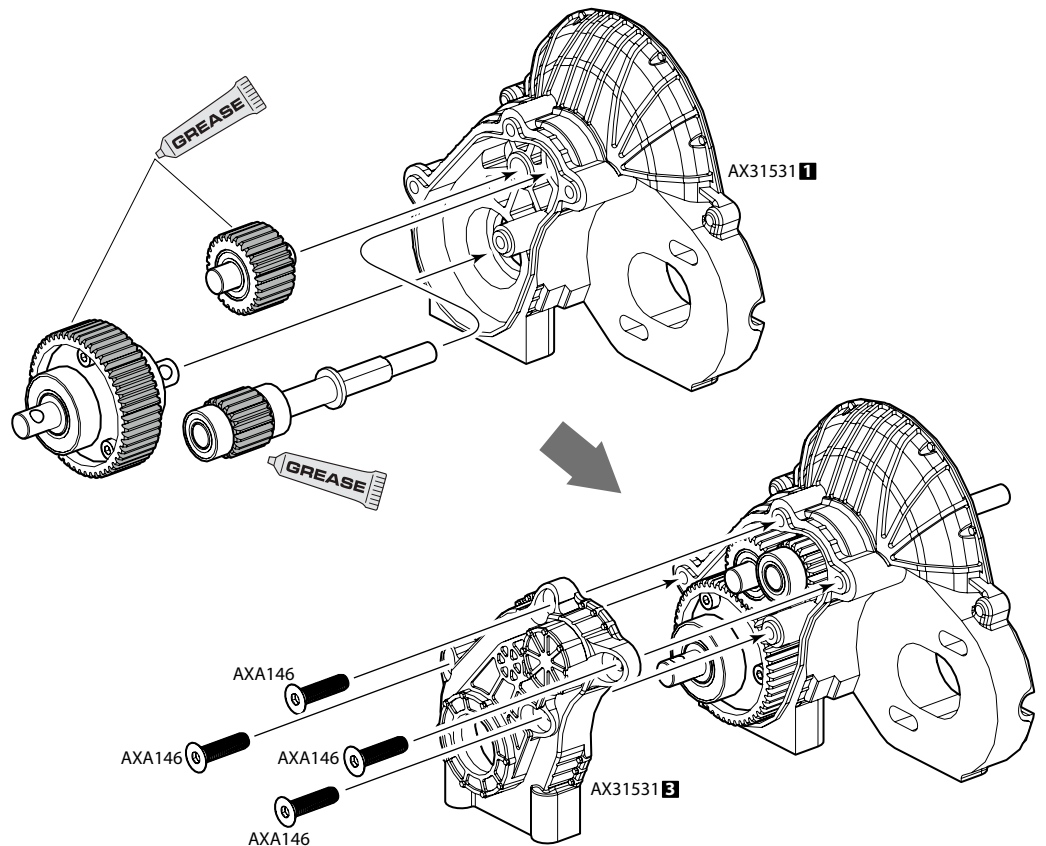
AXA013
2x6mm **x3**



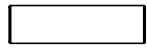
AX30435
Steel Outdrive Shaft **x1**



AX31585
52T Differential Gear
28T Idler Gear **x1**

19**20**

AX30394
20T Drive Gear **x1**



AX30190
Shaft 5x18 **x1**



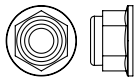
AXA30162
1.5x8mm **x1**



AXA1218
5x10x4mm **x4**



AXA146
M3x12mm **x4**

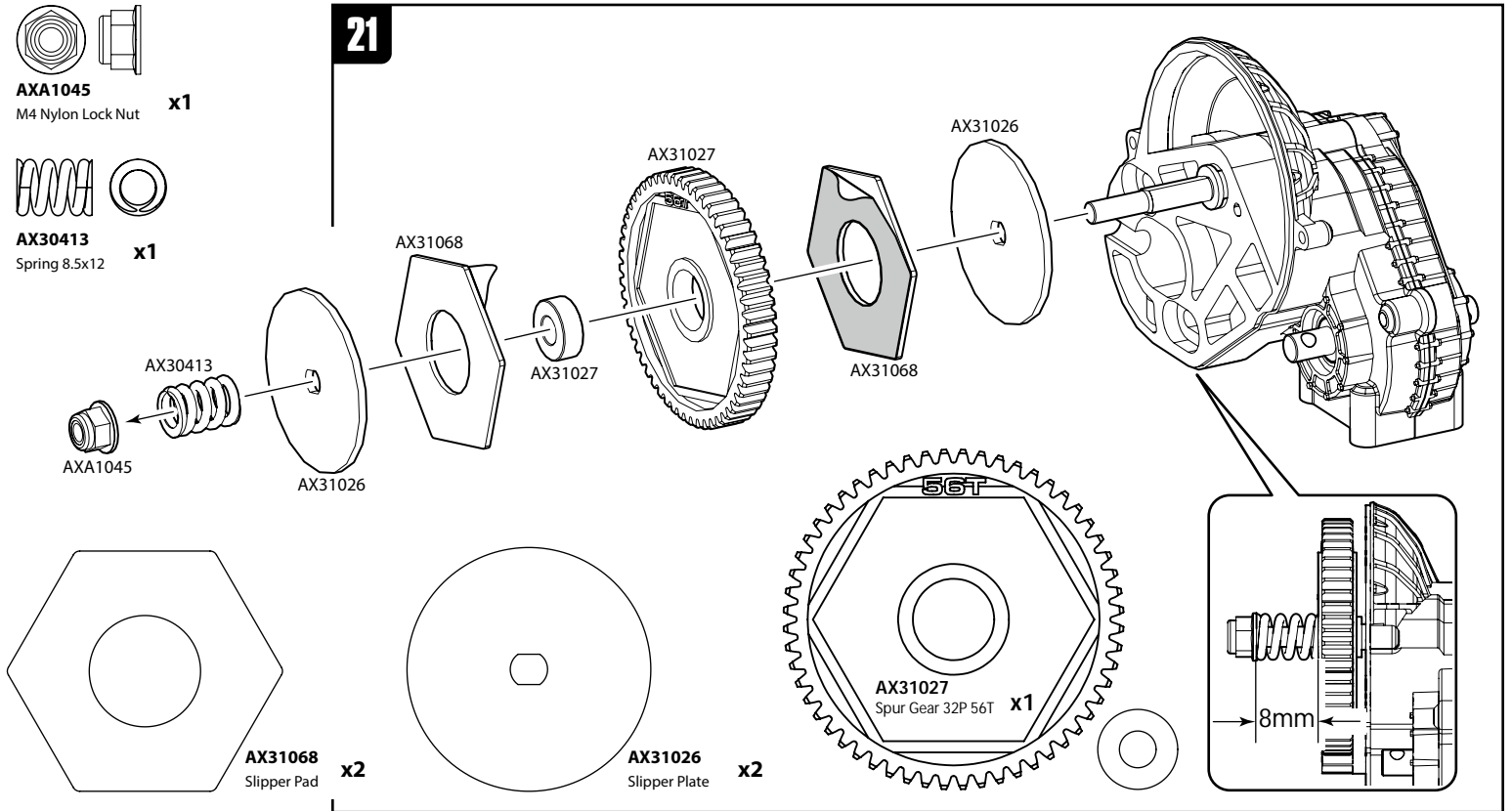


AXA1045
M4 Nylon Lock Nut **x1**

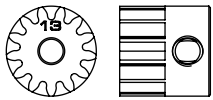


AX30413
Spring 8.5x12 **x1**

21

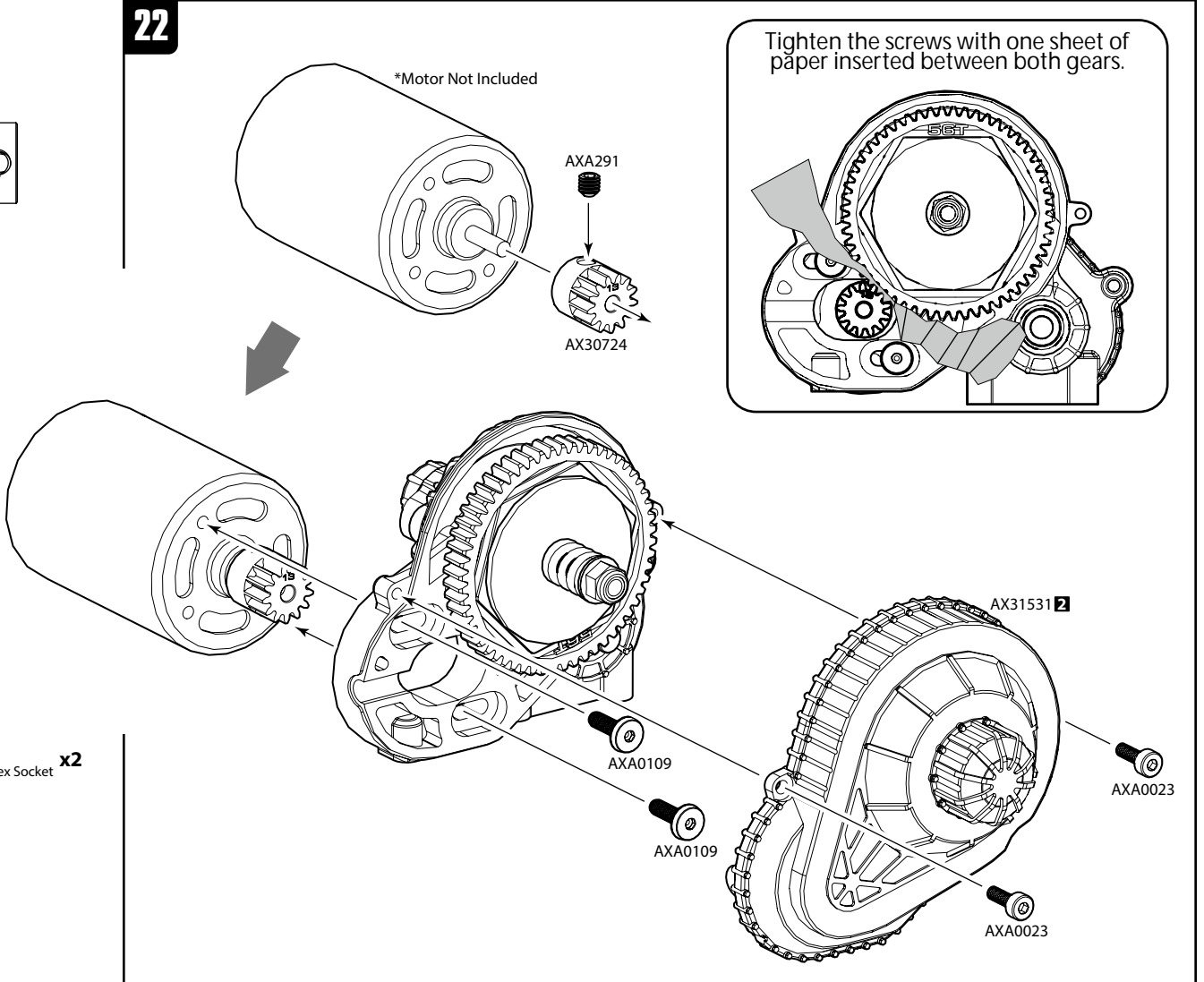


AXA291
M4x4mm **x1**



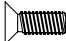

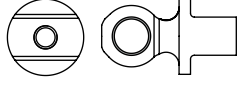
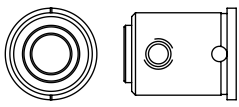
AX30724
Pinion Gear 32P 13T **x1**

22

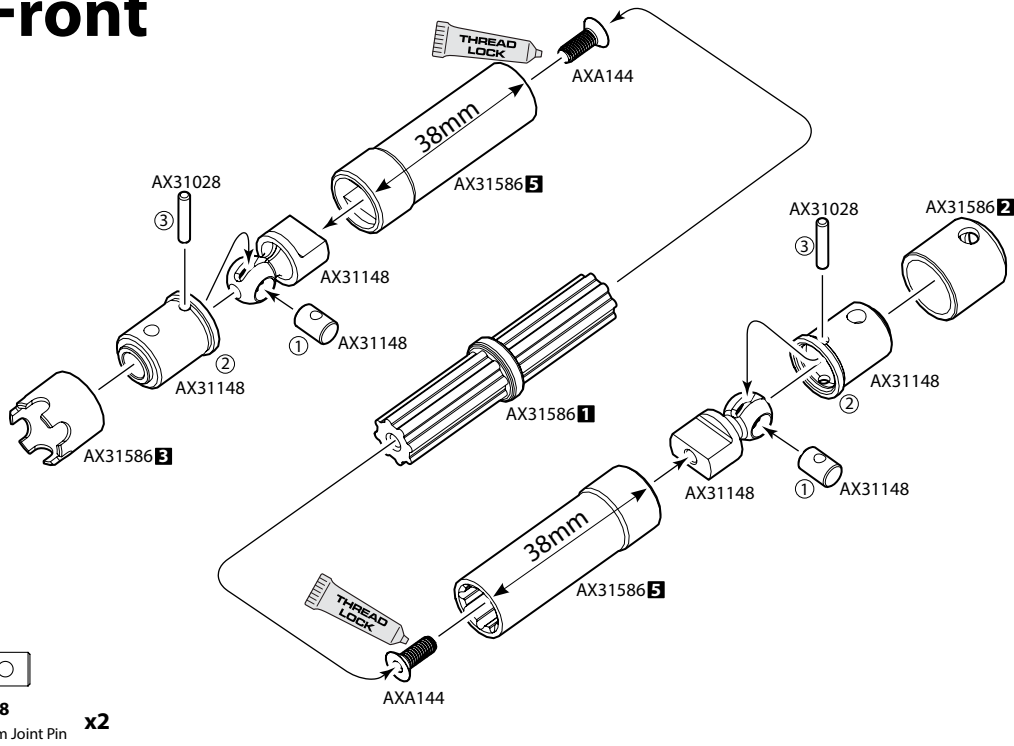


E Open Bag E

3 Open Plastic Bag 3

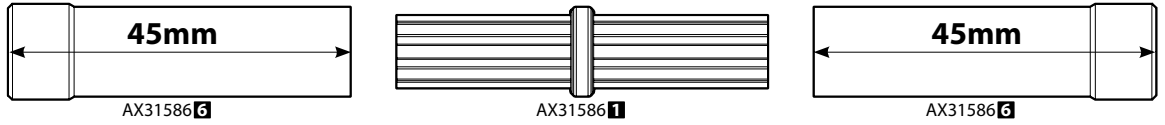
-  **AXA144**
M3x8mm **x2**
-  **AX31028**
Pin 2 x11mm **x2**
-  **AX31148**
WB8 V2 Joint Male Universal **x2**
-  **AX31148**
WB8 V2 Joint 10x15mm **x2**

23 Front

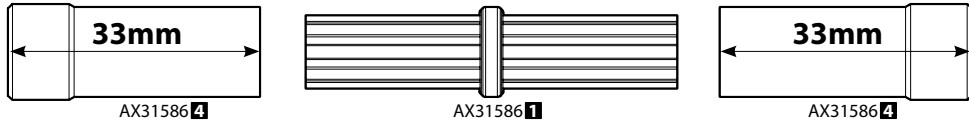



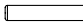
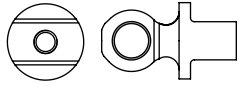
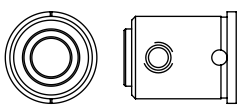

24 Rear

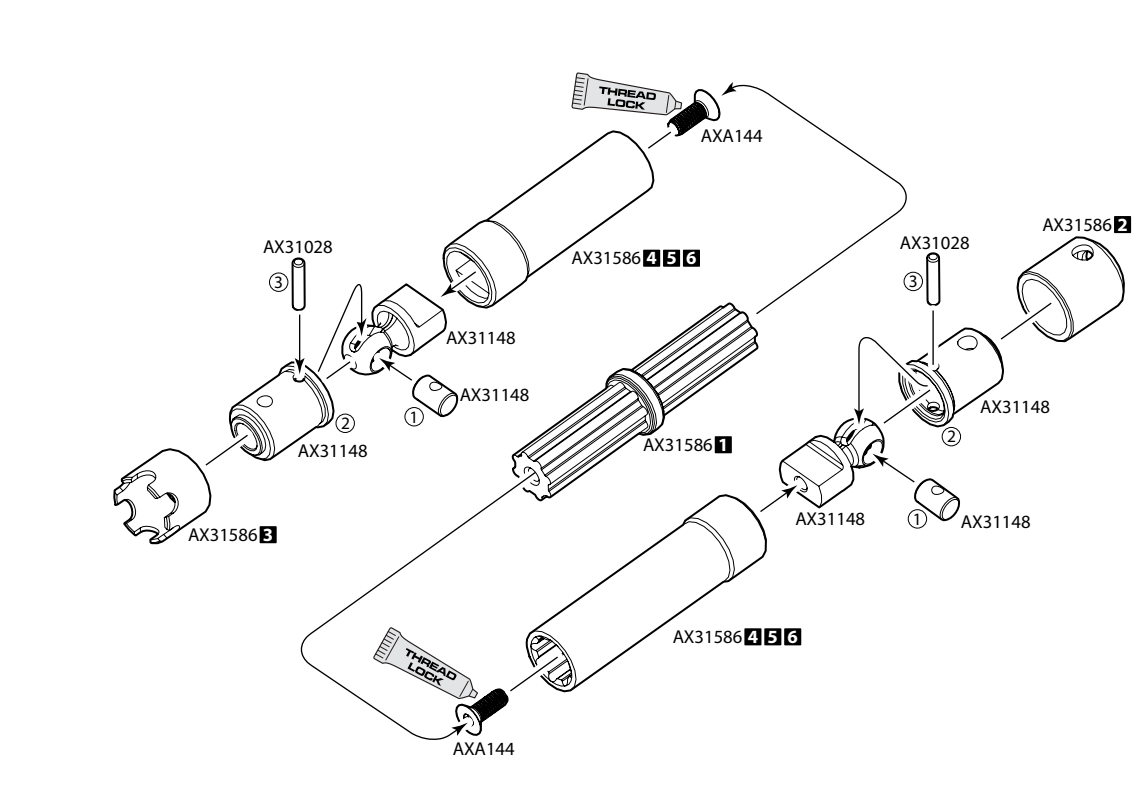
12.3" Wheelbase
12.0" Wheelbase



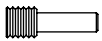
11.4" Wheelbase



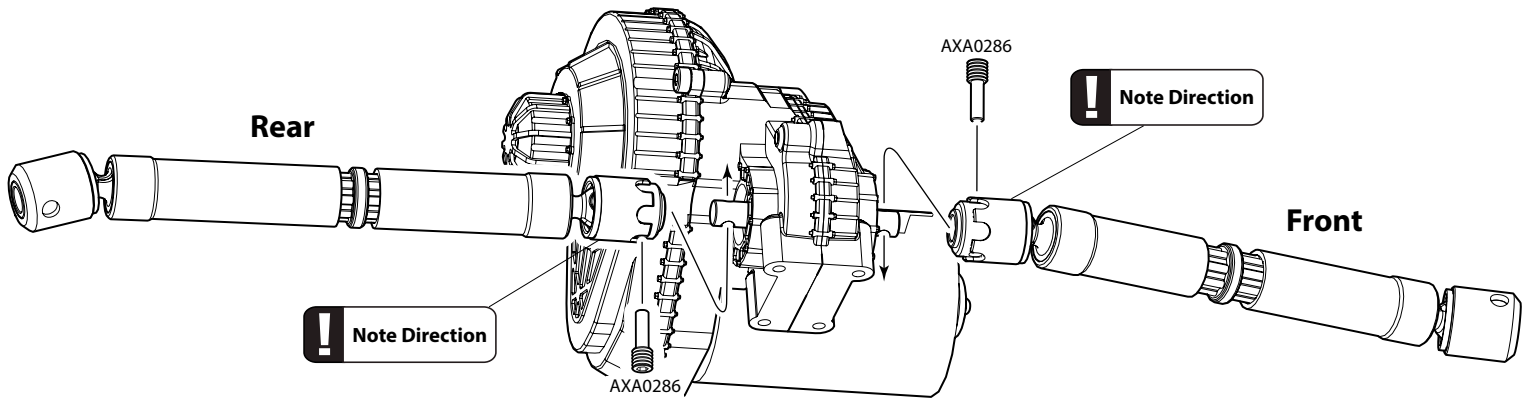
-  **AXA144**
M3x8mm **x2**
-  **AX31028**
Pin 2 x11mm **x2**
-  **AX31148**
WB8 V2 Joint Male Universal **x2**
-  **AX31148**
WB8 V2 Joint 10x15mm **x2**
-  **AX31148**
4.5x6.5mm Joint Pin **x2**



25



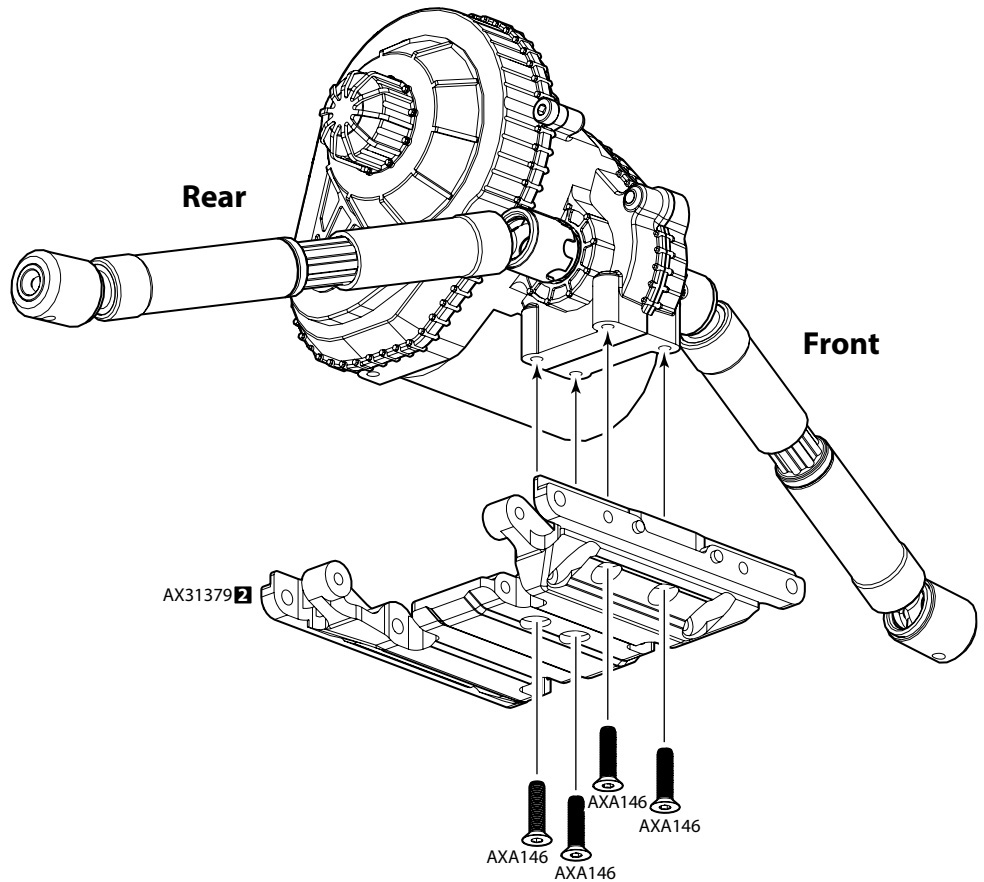
AXA0286
M4x2.5x13mm x2



26



AXA146
M3x12mm x4



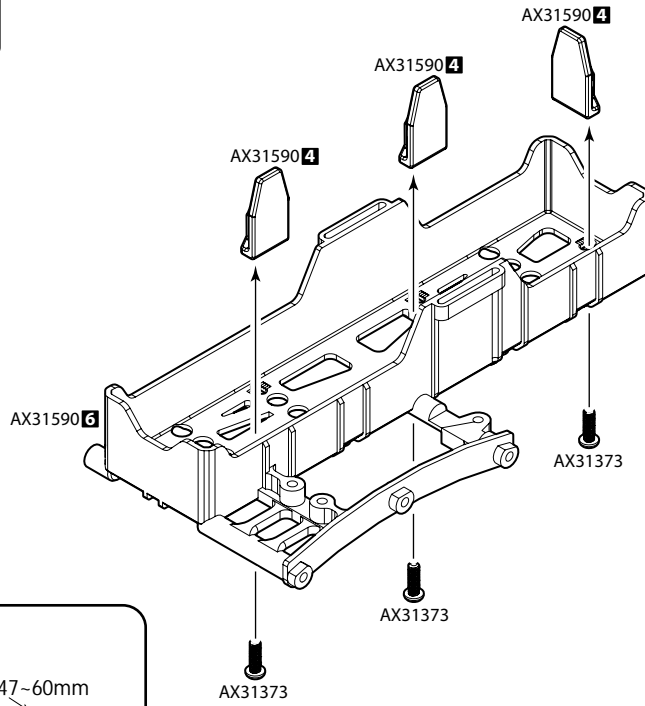
F

Open Bag F

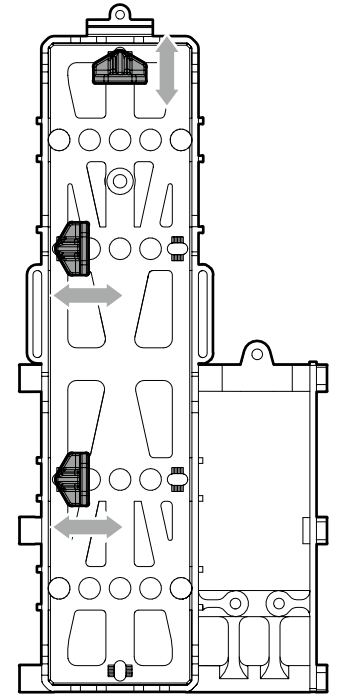
27



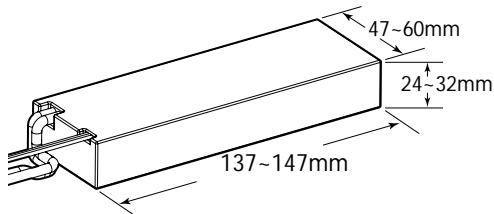
AX31373
M2.6x8mm x3



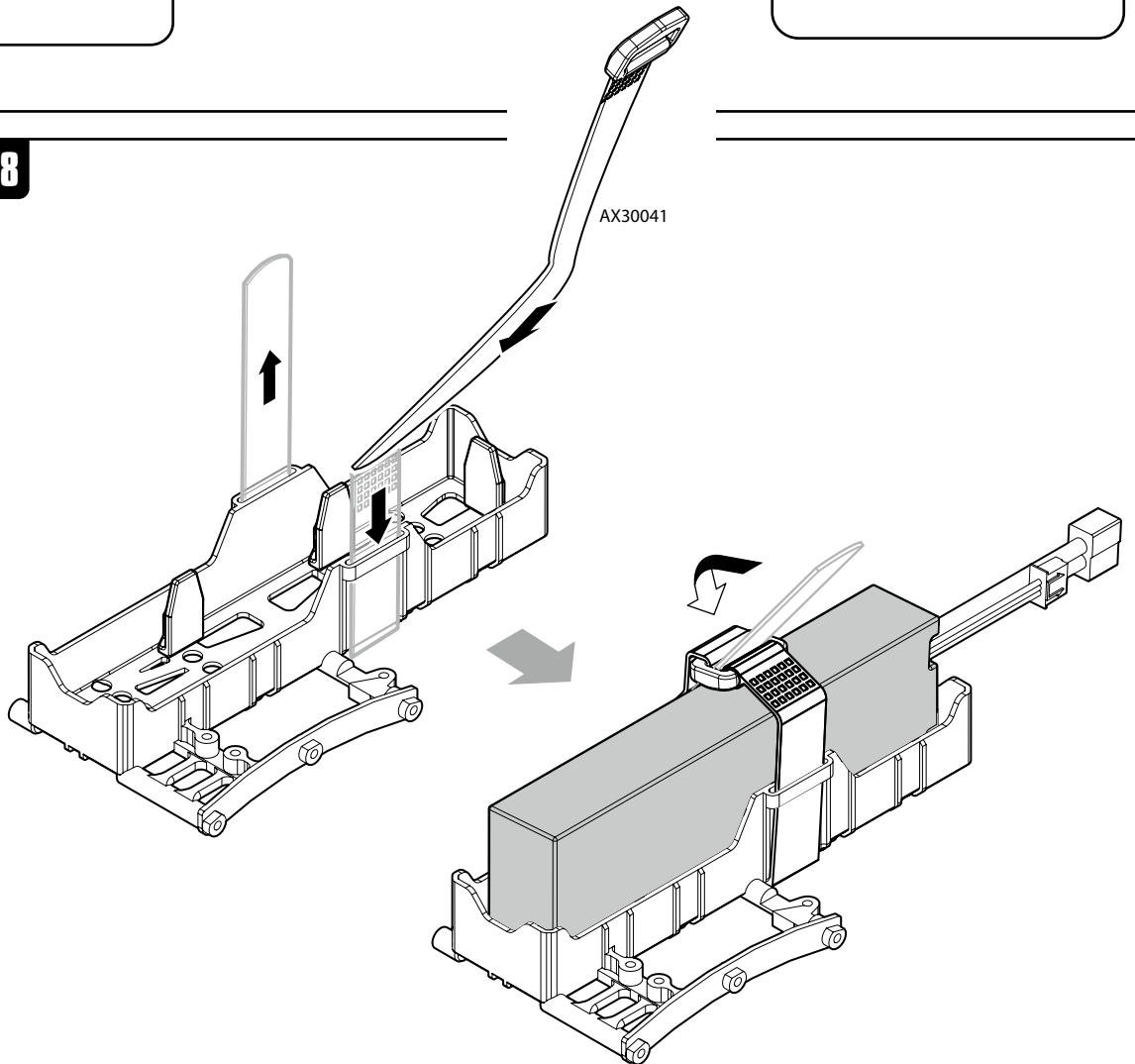
Adjust to the appropriate range.



Suitable battery size.



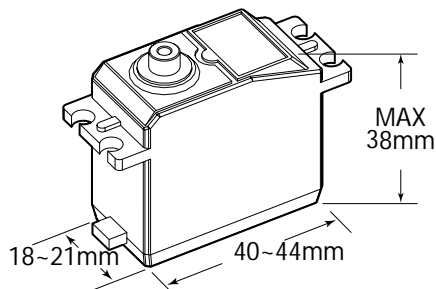
28



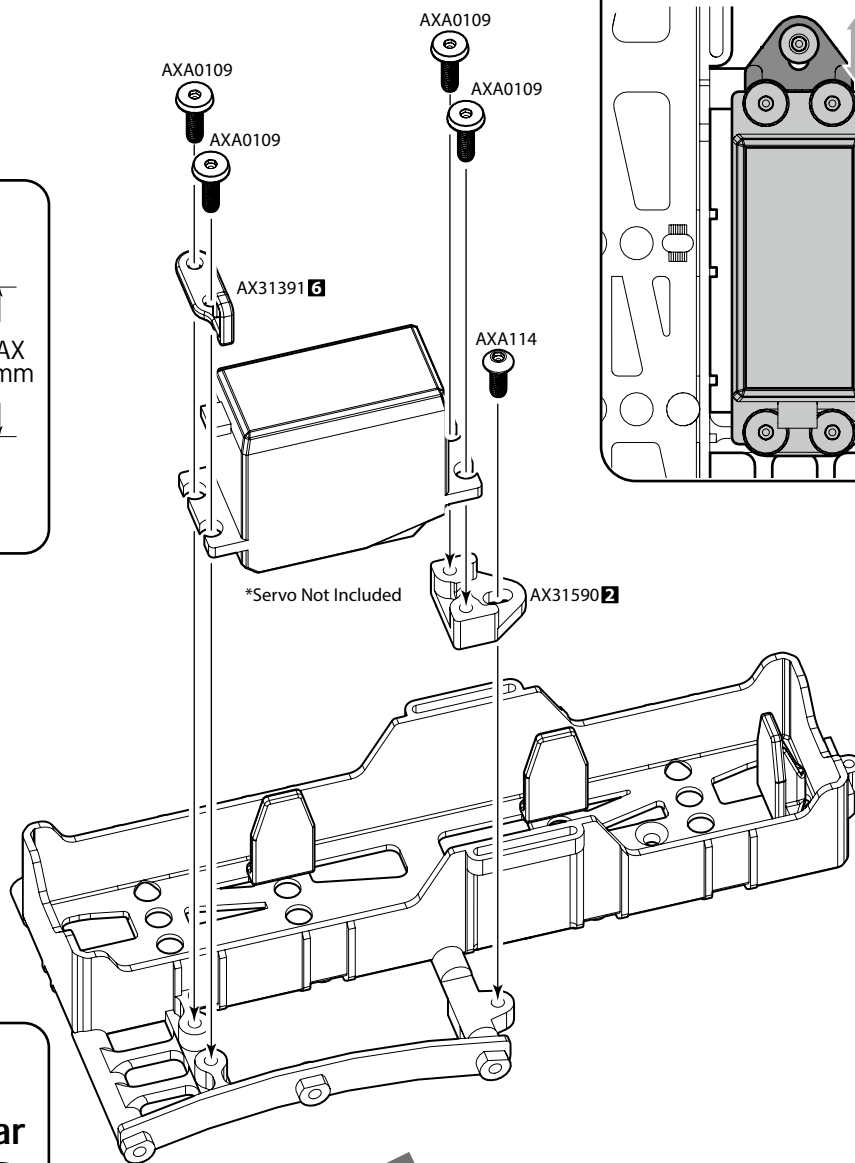
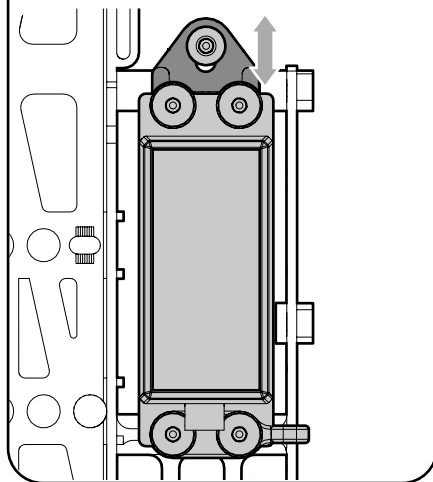
AXA114 x1
M3x8mm

AXA0109 x4
M3x10mm

Suitable servo size.



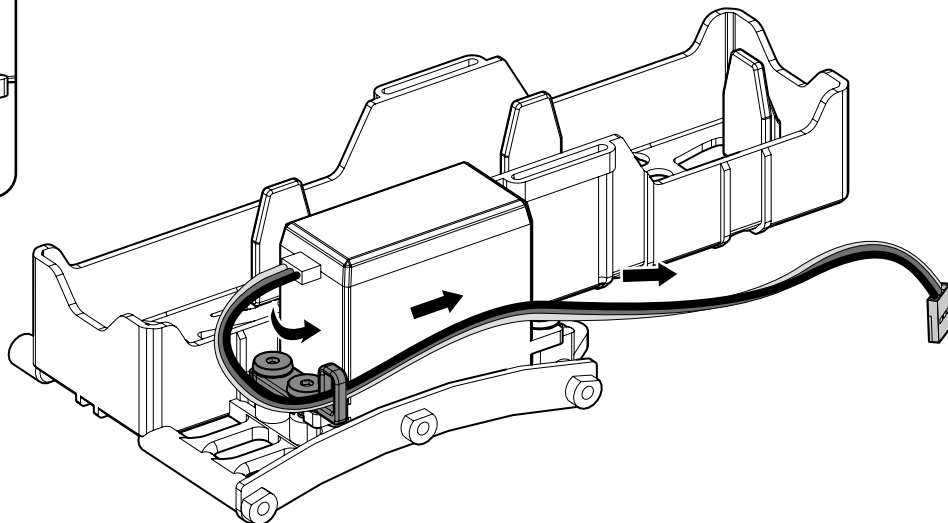
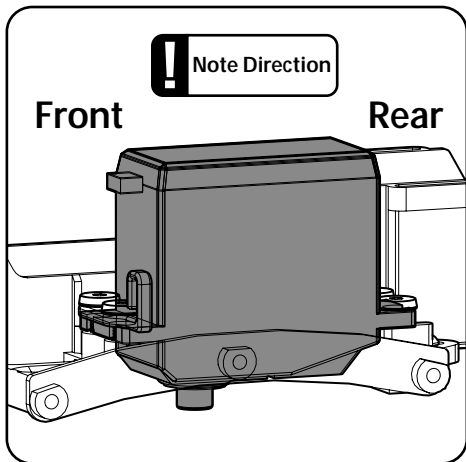
Adjust to the appropriate range.

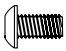


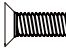
Note Direction

Front

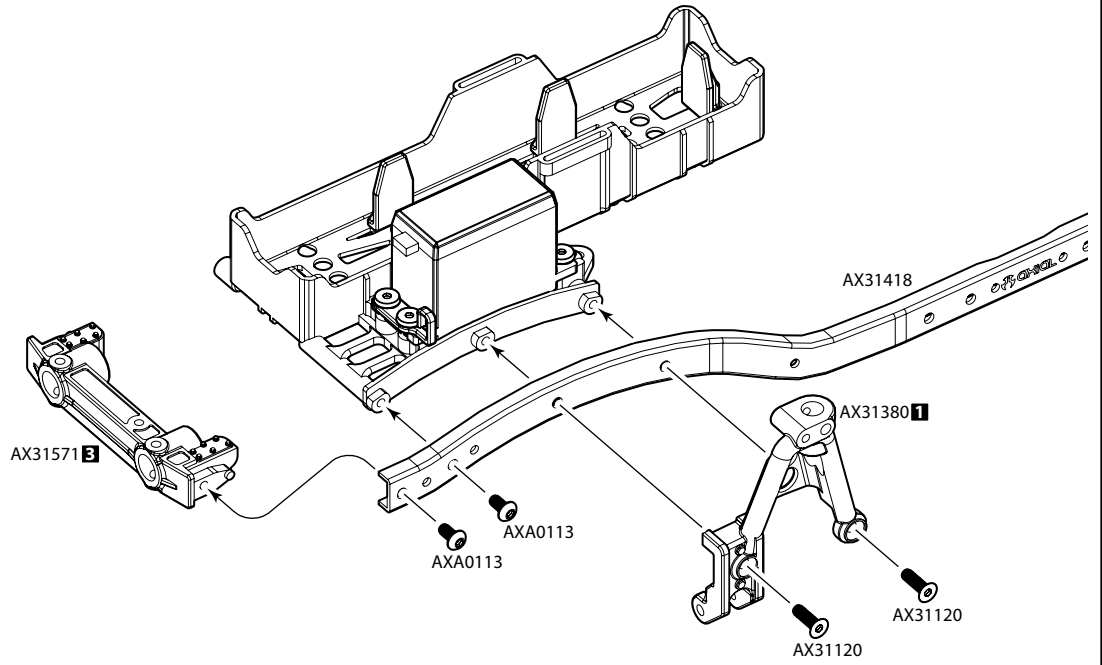
Rear



 **AXA0113**
M3x6mm **x2**

 **AX31120**
M3x10mm **x2**

30

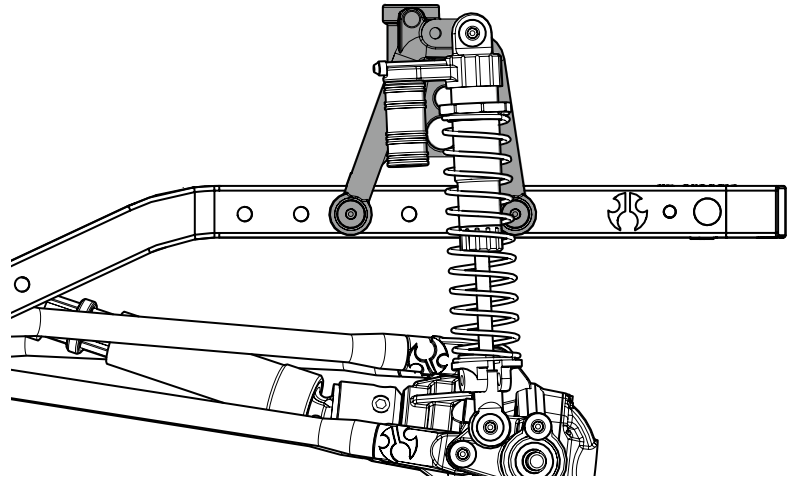


31

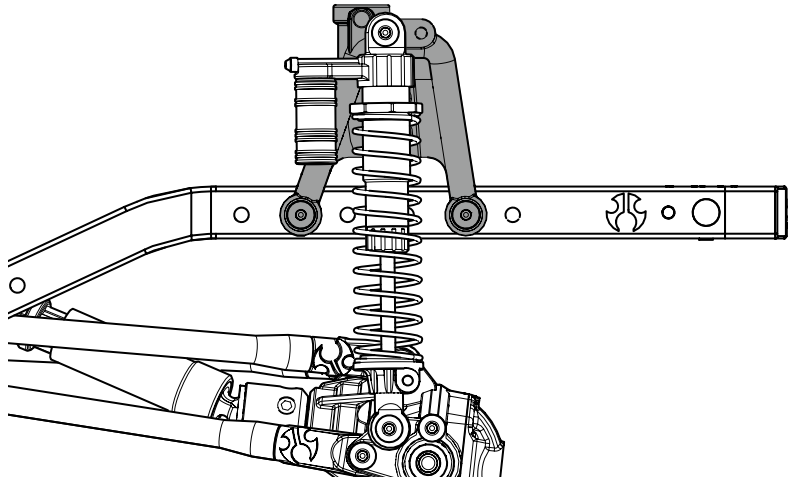
Attention: Rear shock hoop mounting positions.

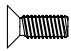



12.3" Wheelbase

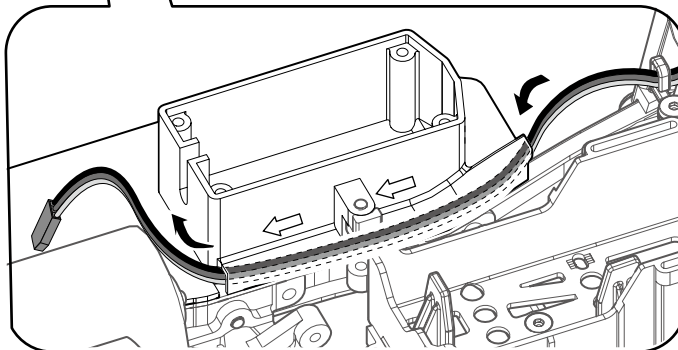
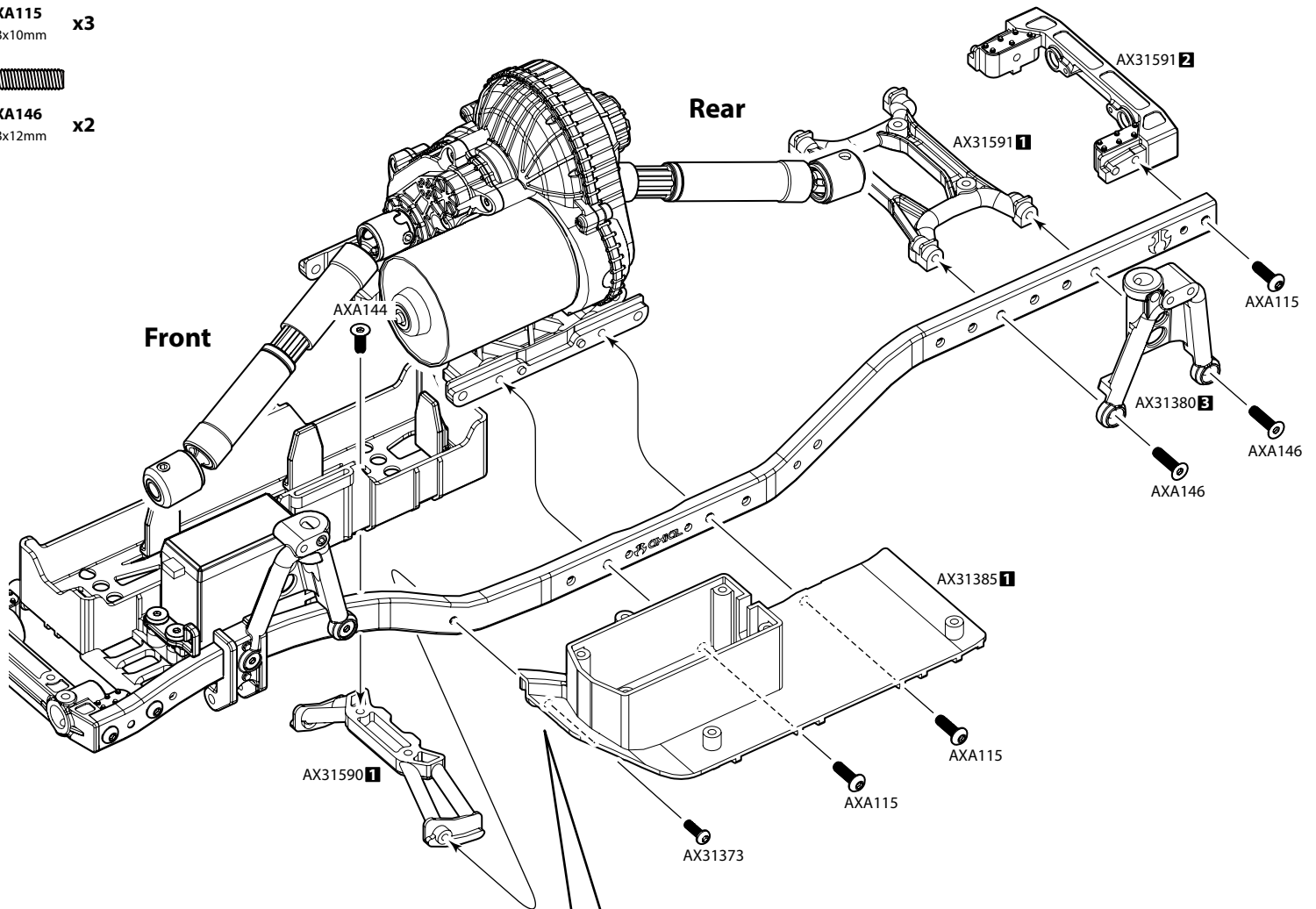
12.0" Wheelbase

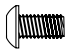


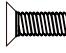
11.4" Wheelbase



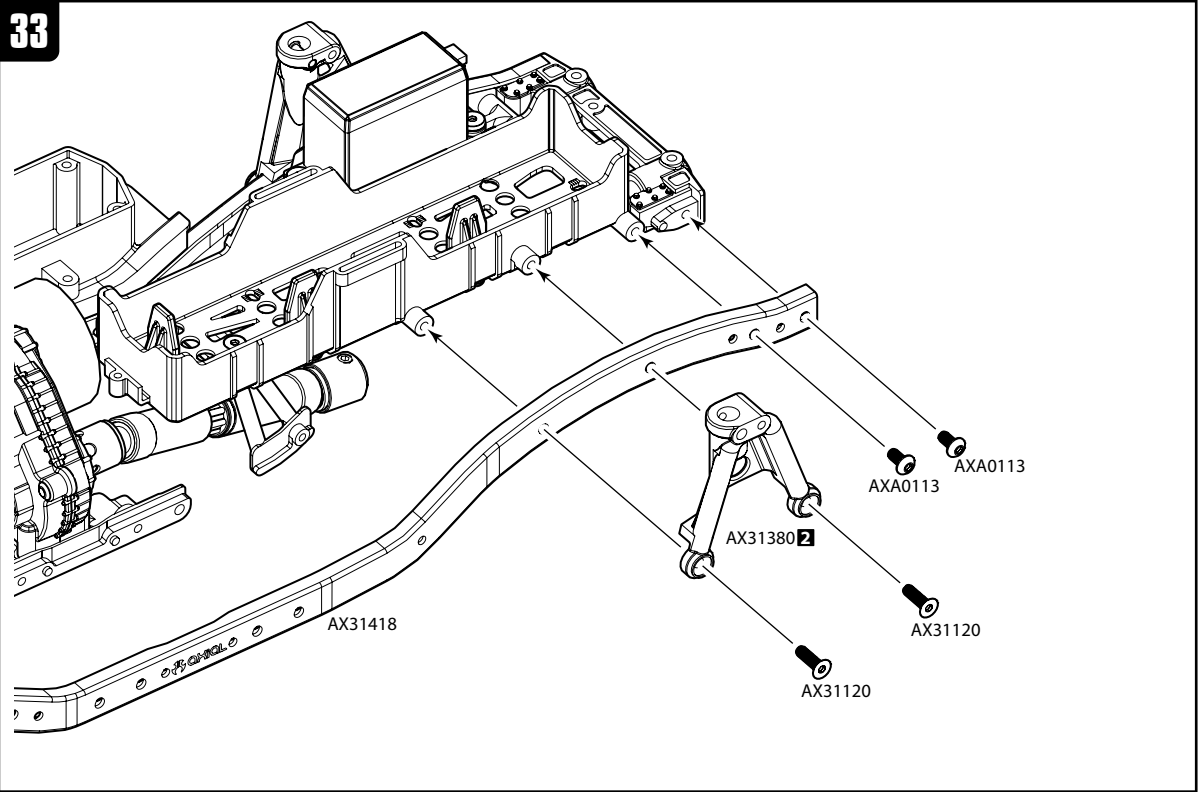
-  **AXA144** x1
M3x8mm
-  **AX31373** x1
M2.6x8mm
-  **AXA115** x3
M3x10mm
-  **AXA146** x2
M3x12mm




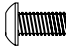
 **AXA0113**
M3x6mm **x2**

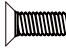
 **AX31120**
M3x10mm **x2**

33

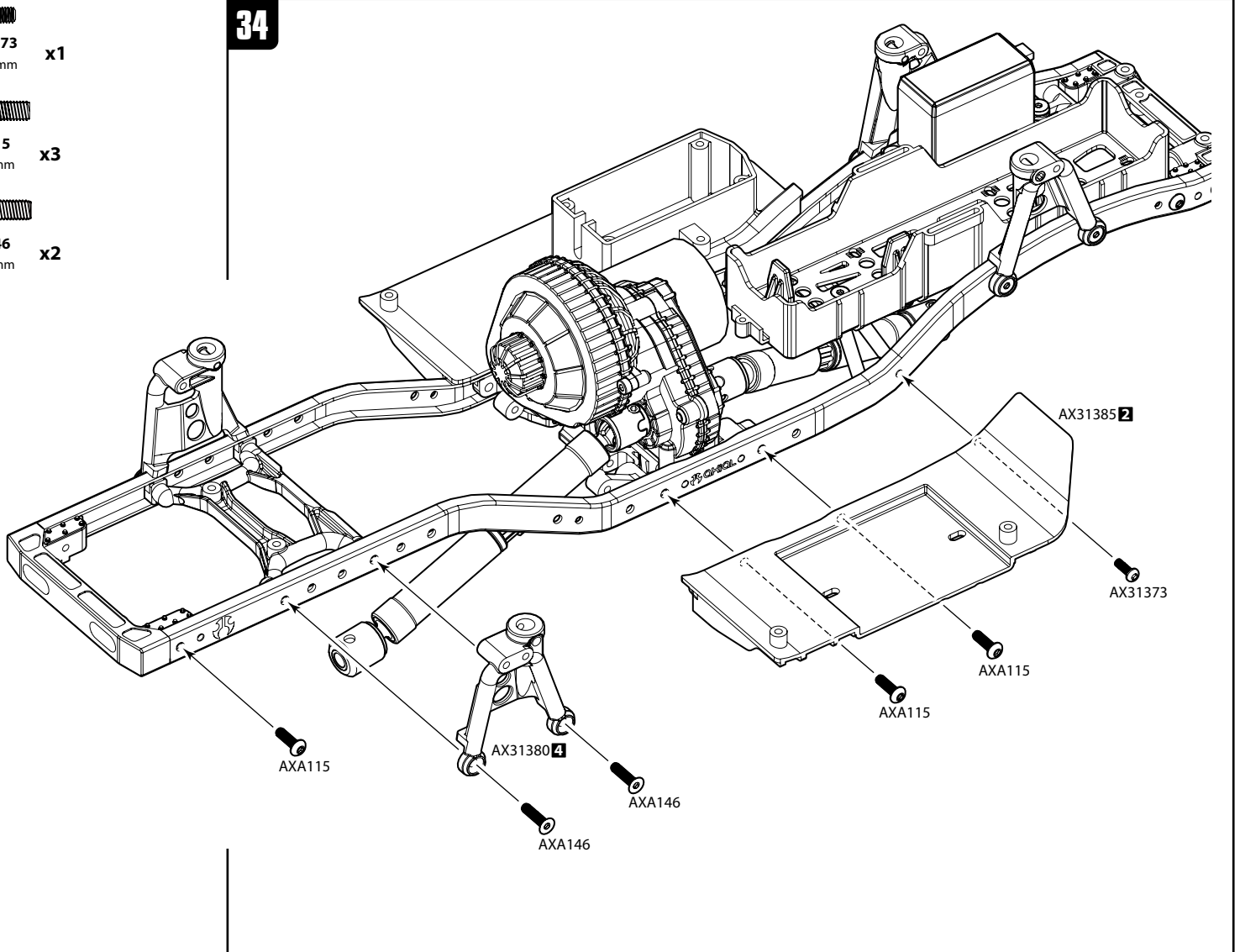


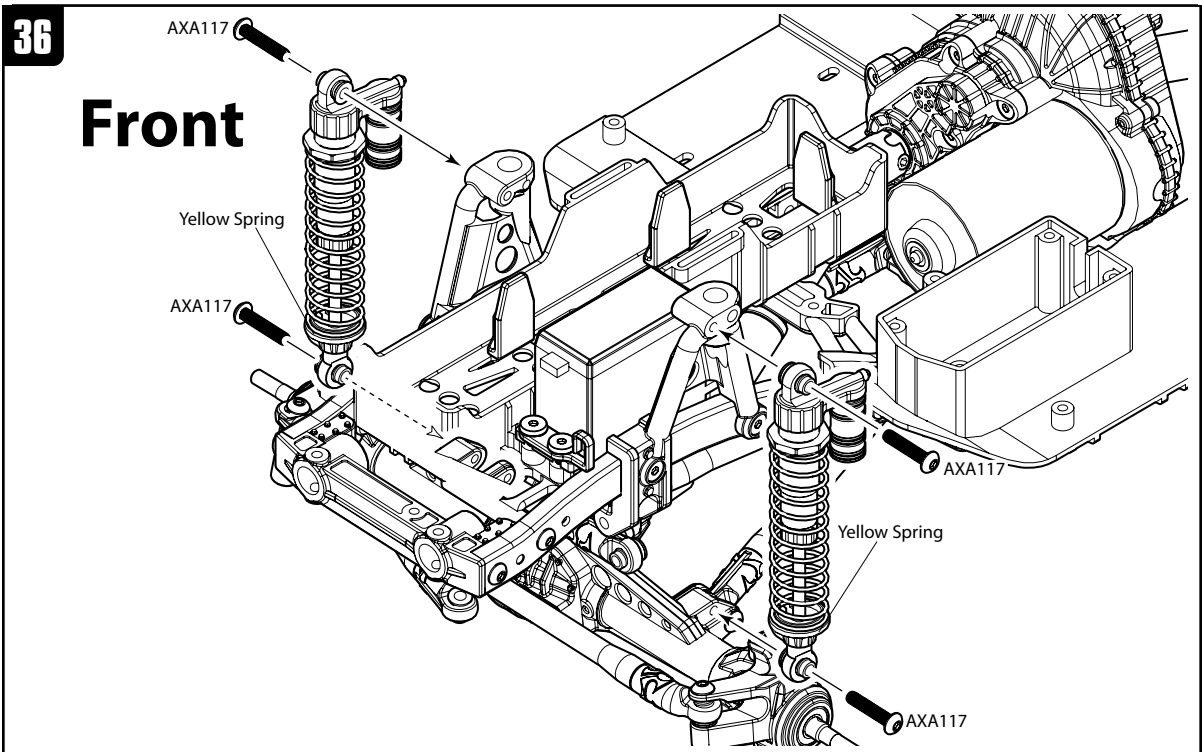
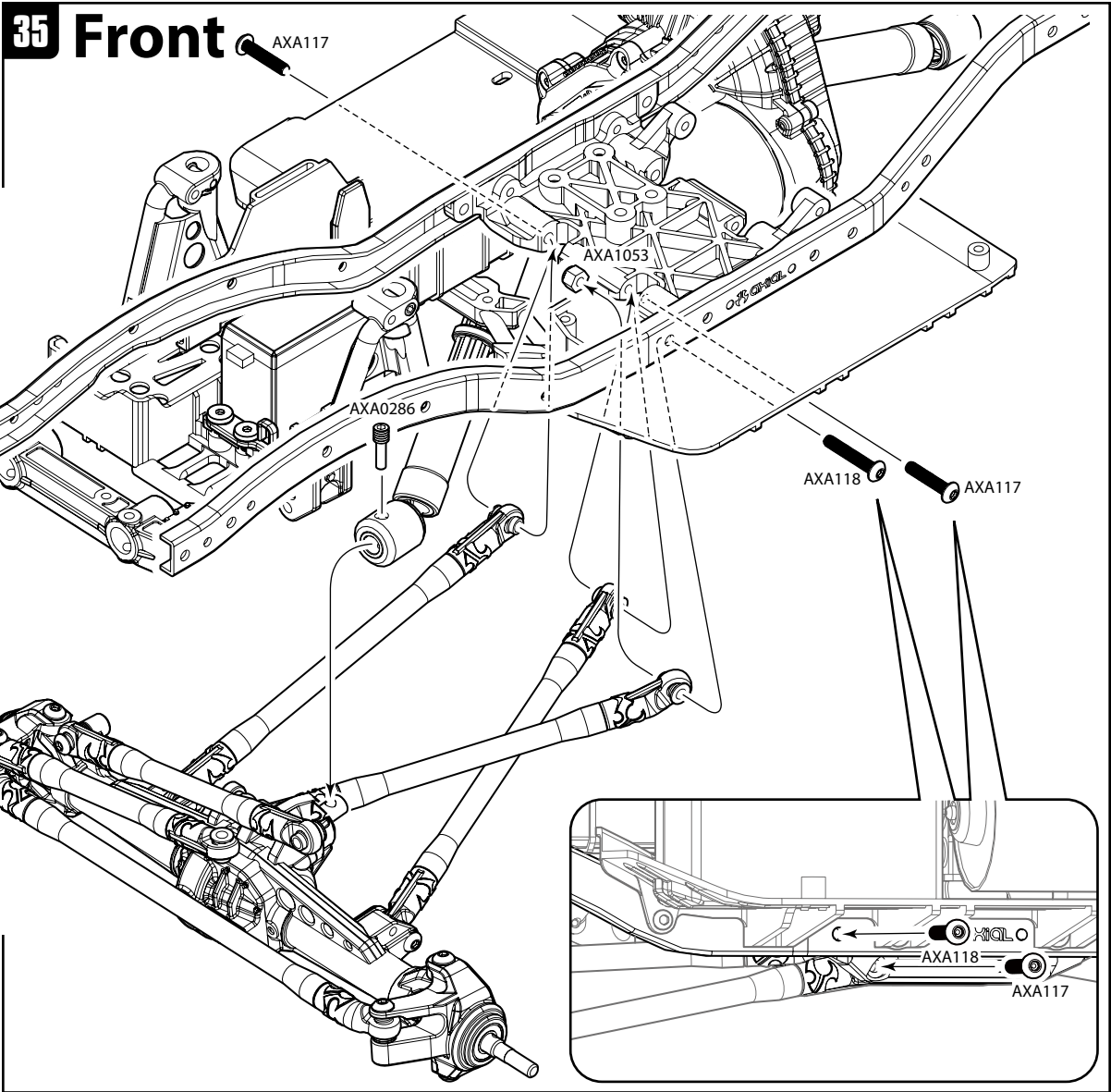
 **AX31373**
M2.6x8mm **x1**

 **AXA115**
M3x10mm **x3**

 **AXA146**
M3x12mm **x2**

34







AXA117
M3x15mm **x1**



AXA1052
M3 Thin Nylon Locking Nut **x1**

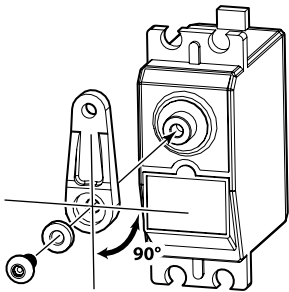


AXA0113
M3x6mm **x1**

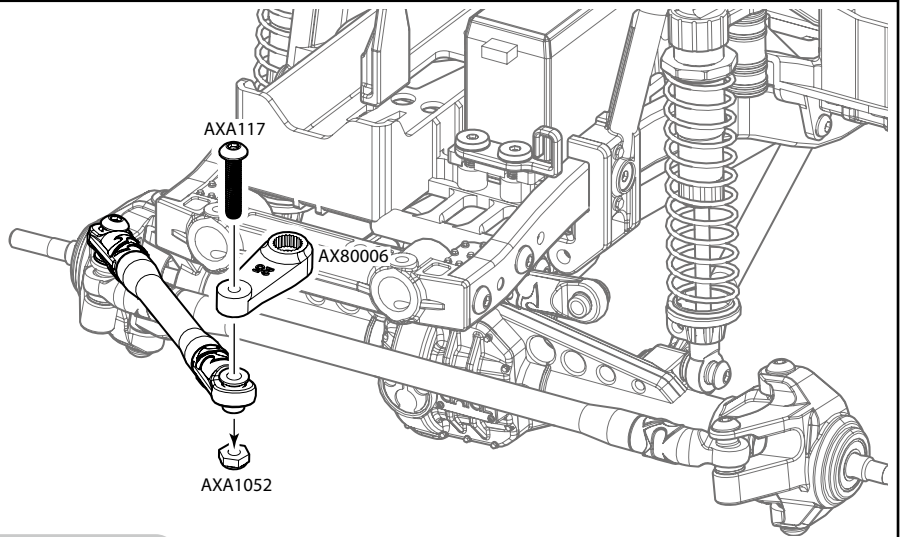


AXA1070
3x6x0.5mm **x1**

Install when servo
is in neutral position



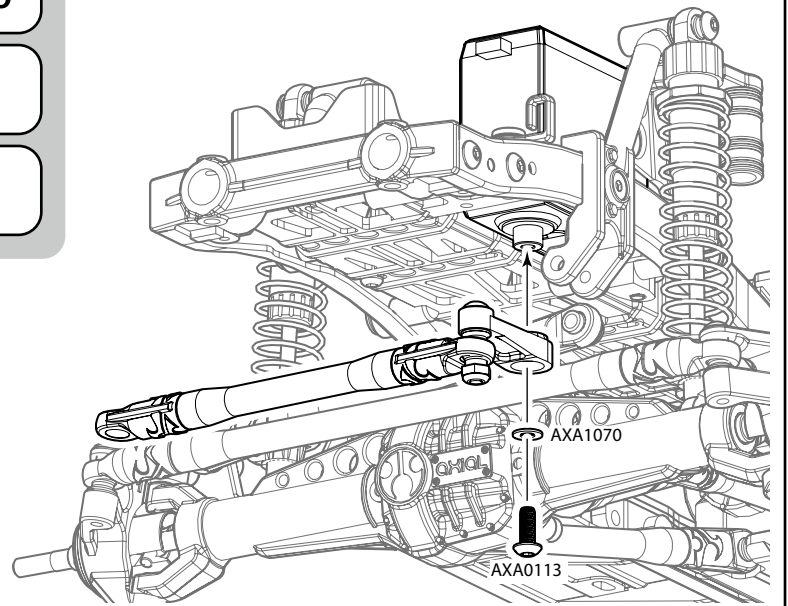
37 Front



AX80006 **1**
23 Airtronics / JR / KO

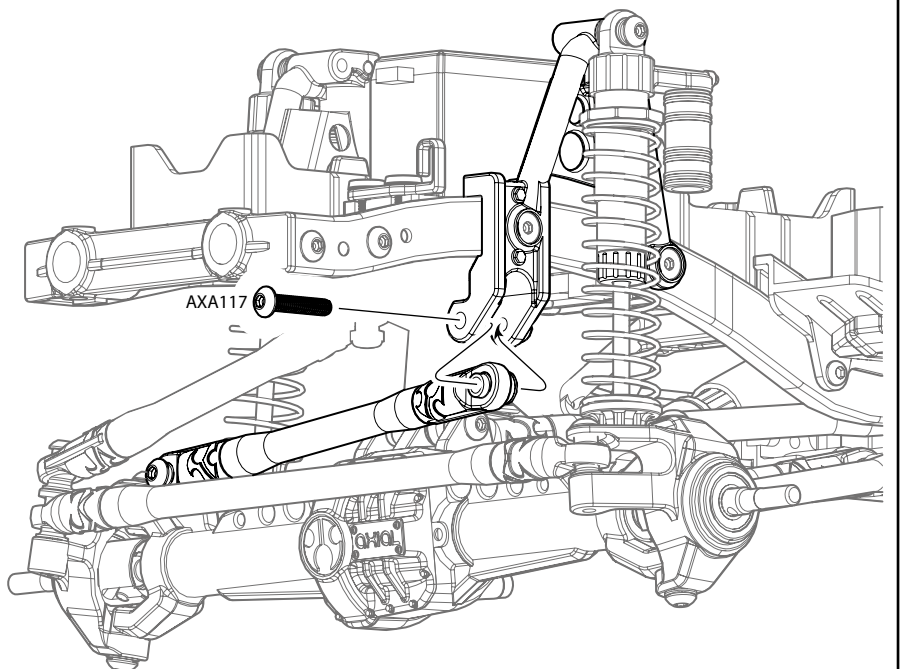
AX80006 **2**
24 Hitec

AX80006 **3**
25 Futaba






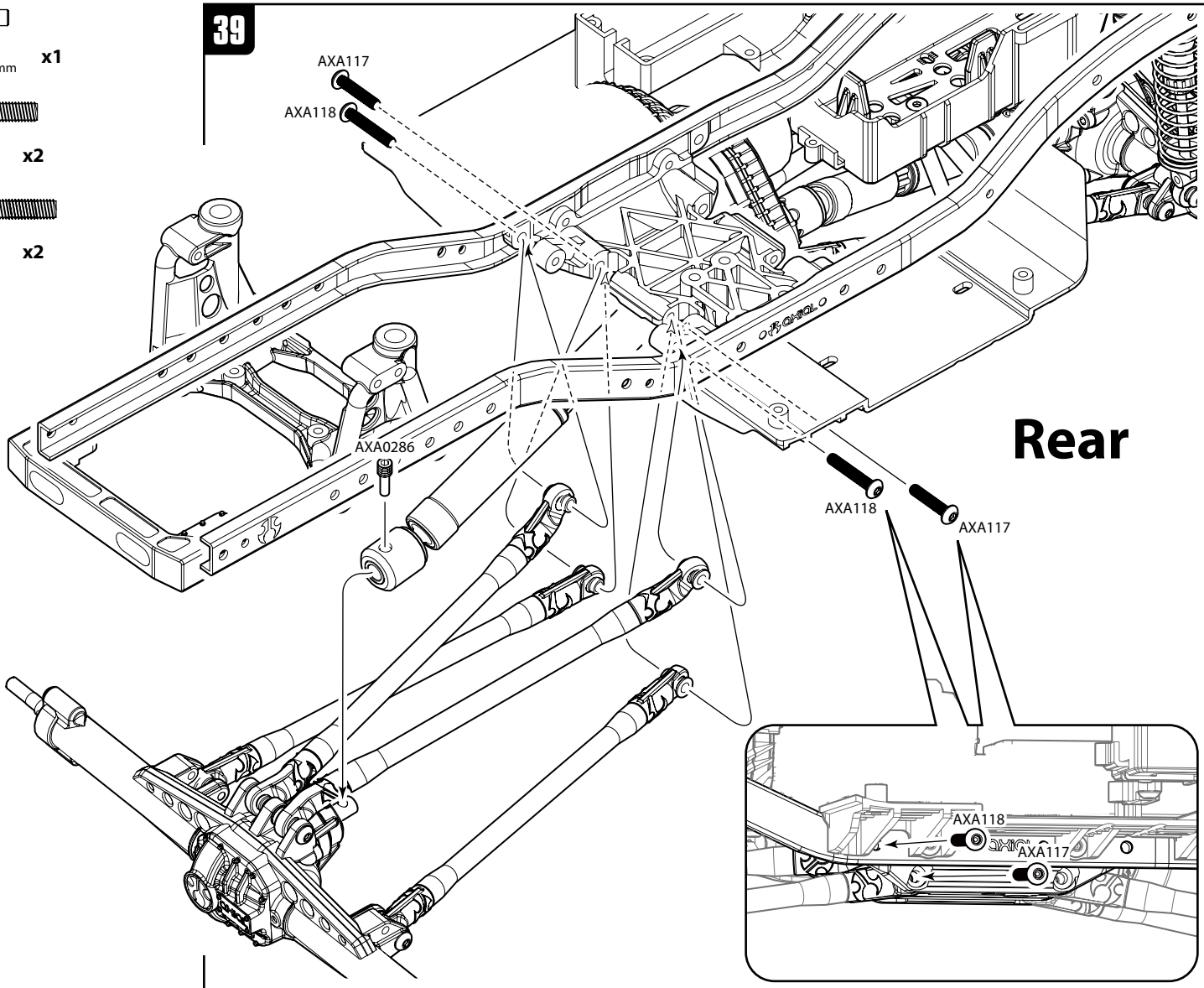
AXA117
M3x15mm **x1**

38 Front



39

-  **AXA0286**
M4x2.5x13mm **x1**
-  **AXA117**
M3x15mm **x2**
-  **AXA118**
M3x18mm **x2**

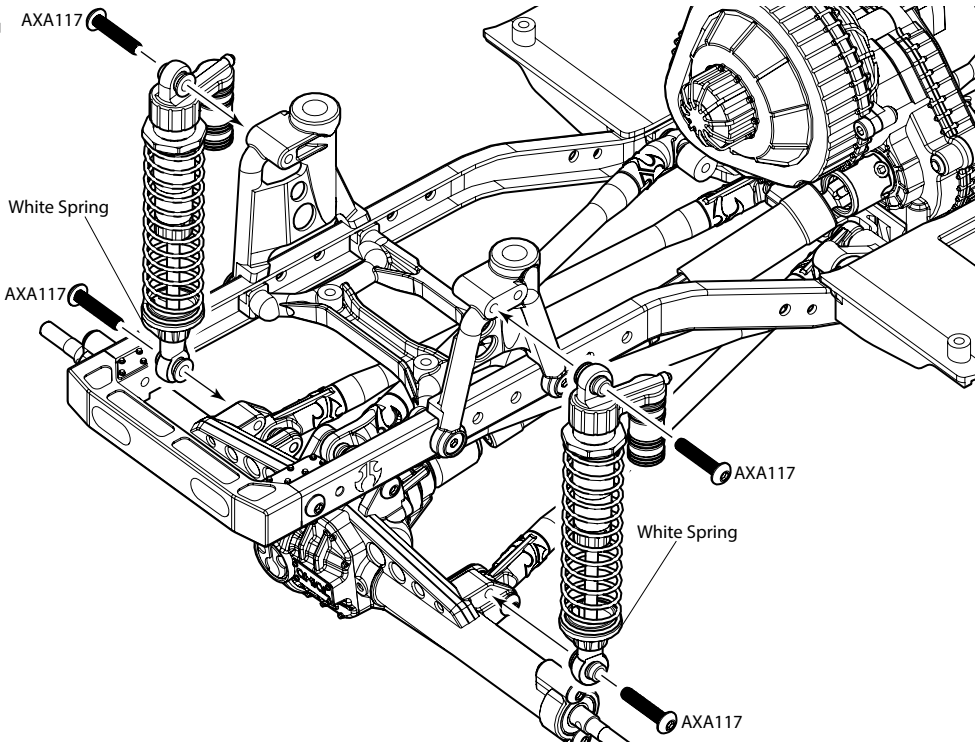


Rear

-  **AXA117**
M3x15mm **x4**

40

Rear



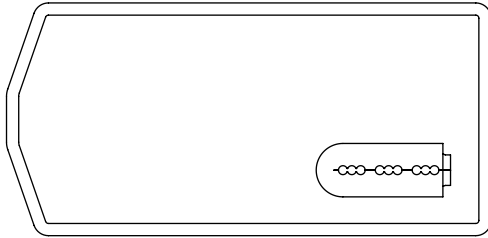
G

Open Bag G

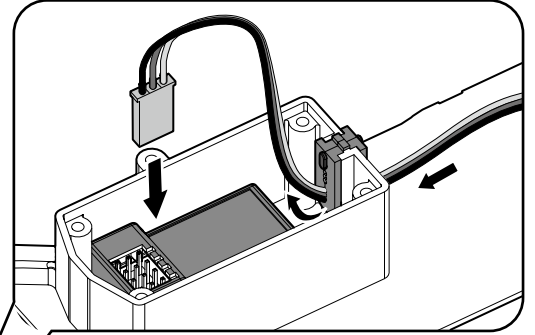
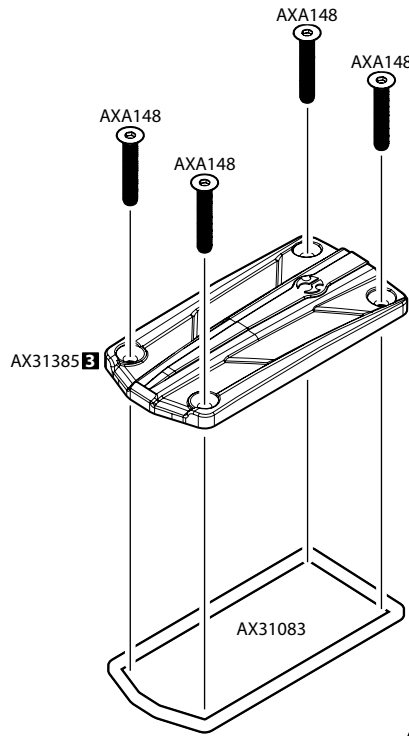
41



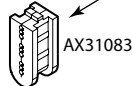
AXA148
M3x18mm x4



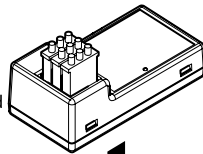
AX31083
Radio Box Seals x1



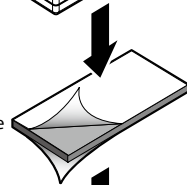
AX31385 4



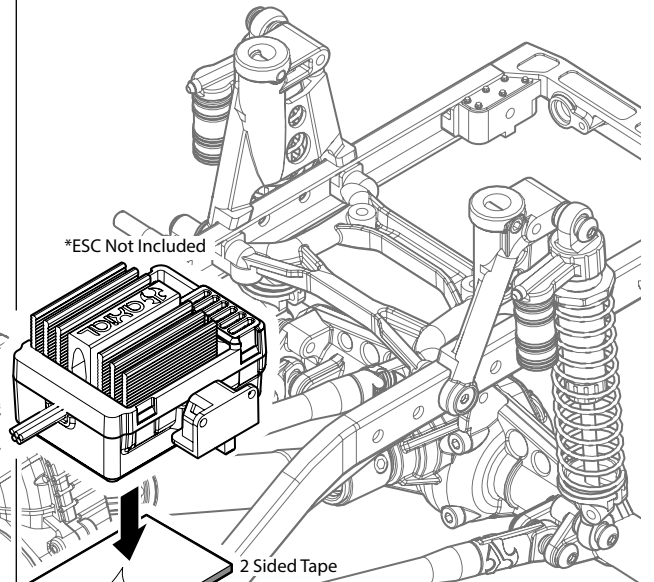
*Receiver Not Included



2 Sided Tape

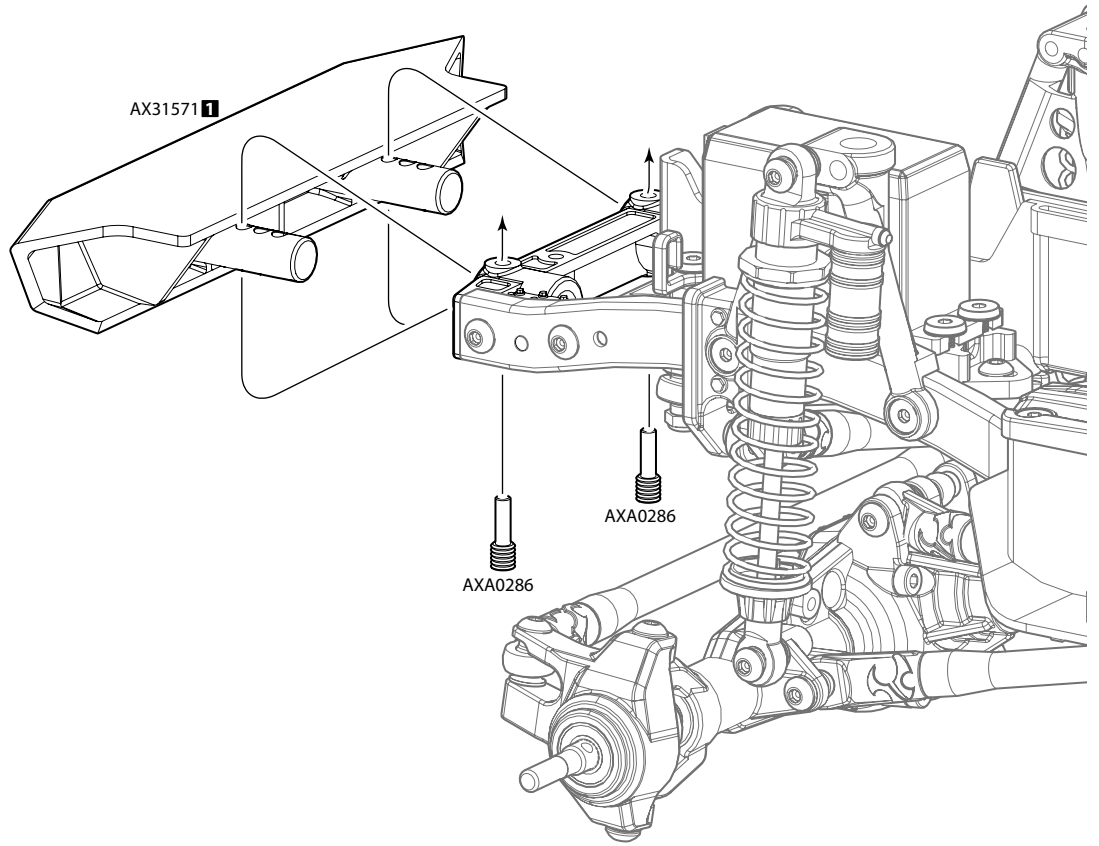


*ESC Not Included



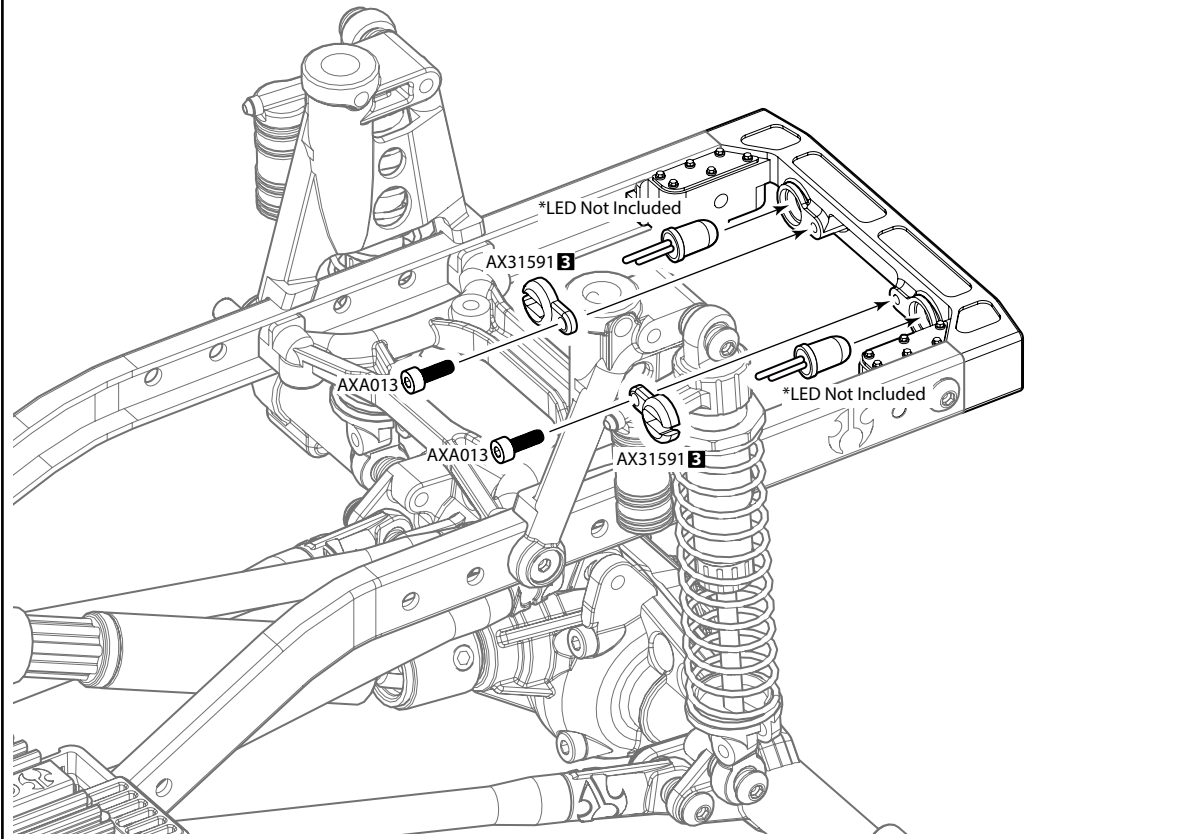
AXA0286
M4x2.5x13mm **x2**

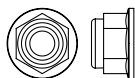
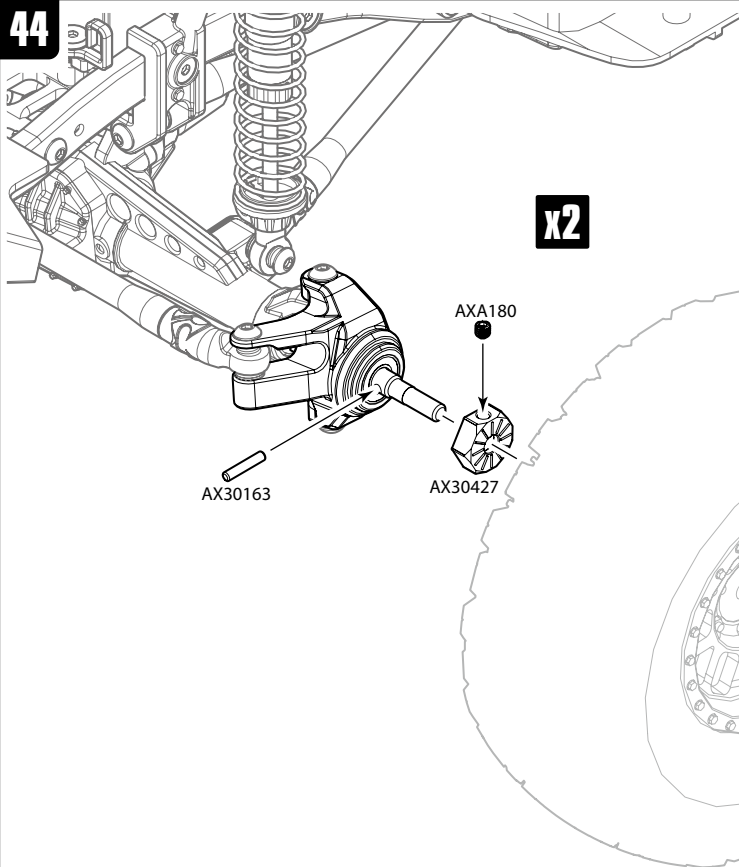
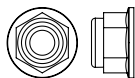
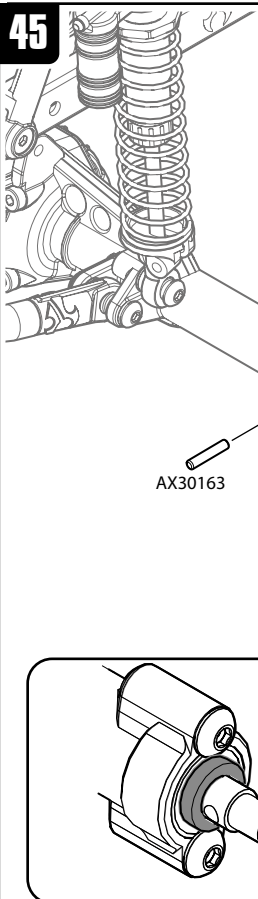
42 Front



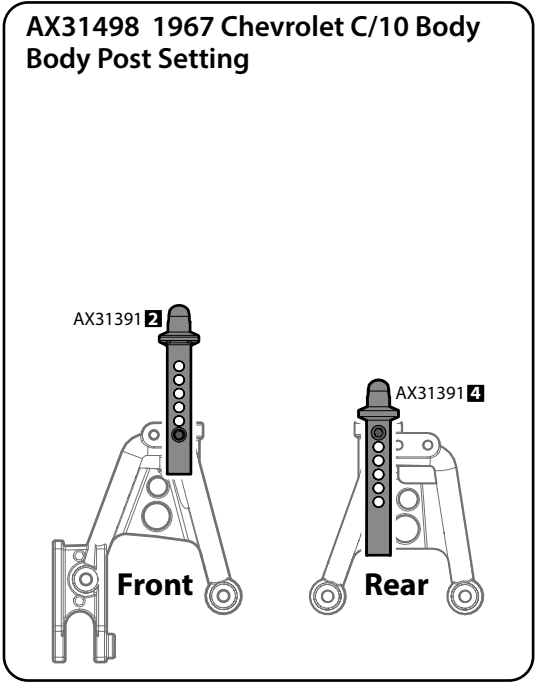
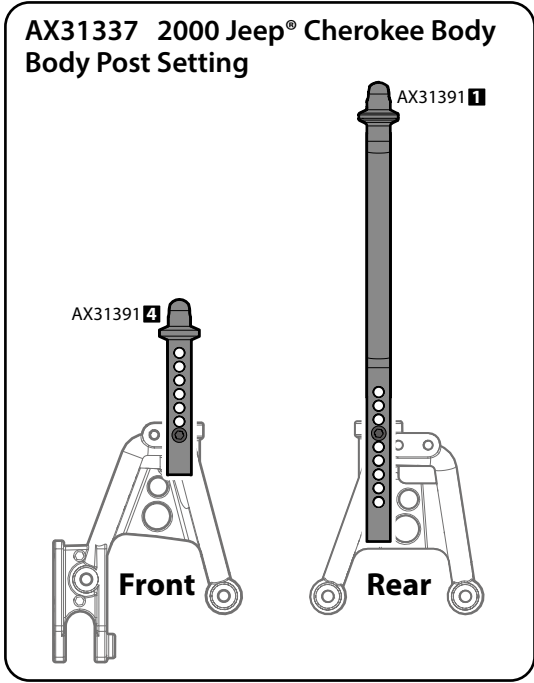
AXA013
M2x6mm Hex Socket Cap Head **x2**


43 Rear



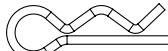
**AXA180**
M3x3mm Set Screw **x2****AX30163**
Pin 2x10mm **x2****AX30427**
12mm Aluminum Hub **x2****AXA1045**
M4 Nylon Lock Nut **x2****Front****x2***Tires and Wheels
Not IncludedVisit www.axialracing.com for wheel and tire options**AXA180**
M3x3mm Set Screw **x2****AX30163**
Pin 2x10mm **x2****AX30427**
12mm Aluminum Hub **x2****AXA1045**
M4 Nylon Lock Nut **x2****Rear****x2***Tires and Wheels
Not Included

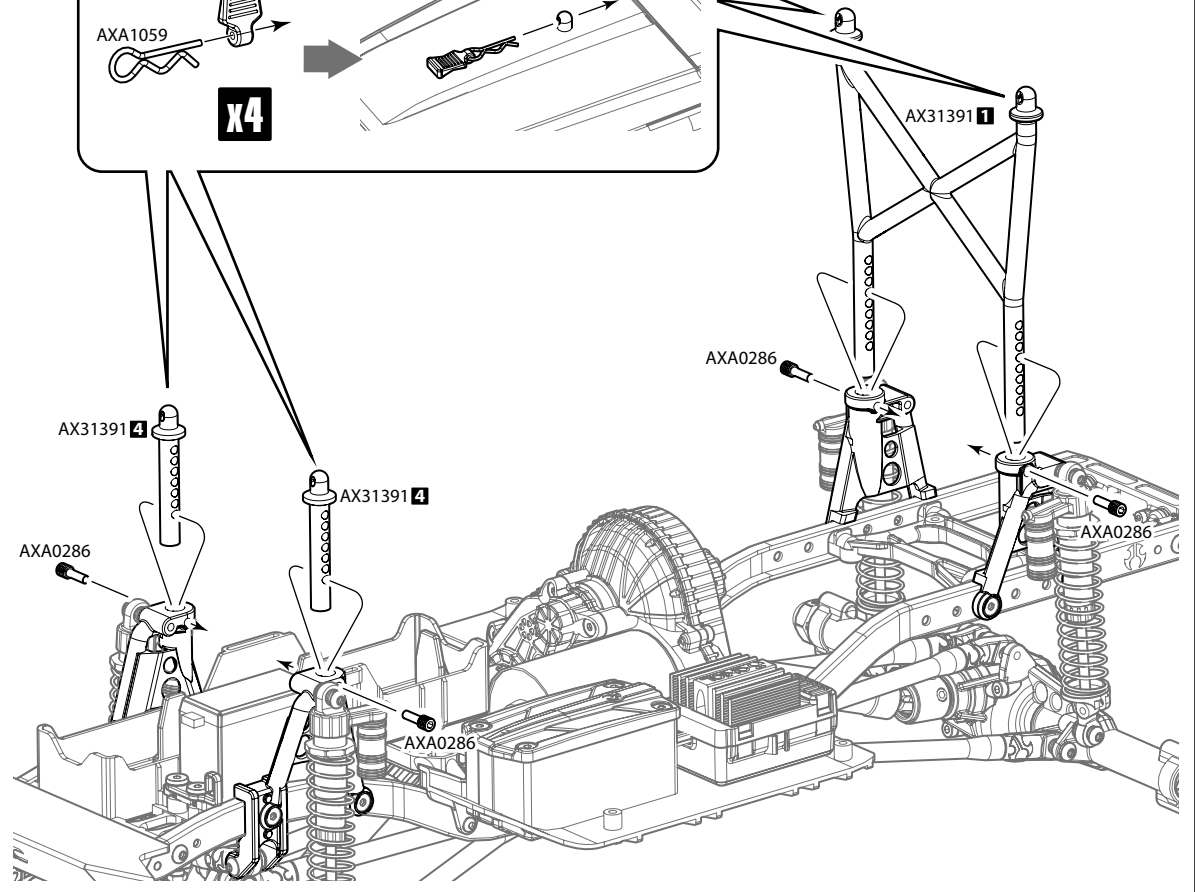
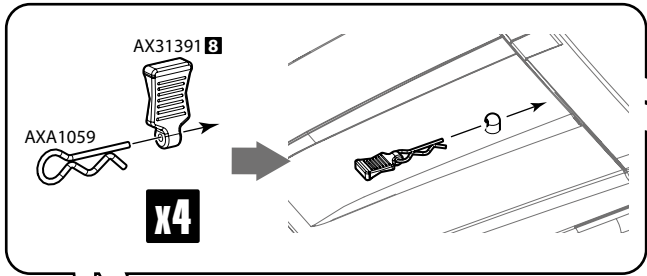
Select your favorite body and use proper body post!
 Visit www.axialracing.com for body options



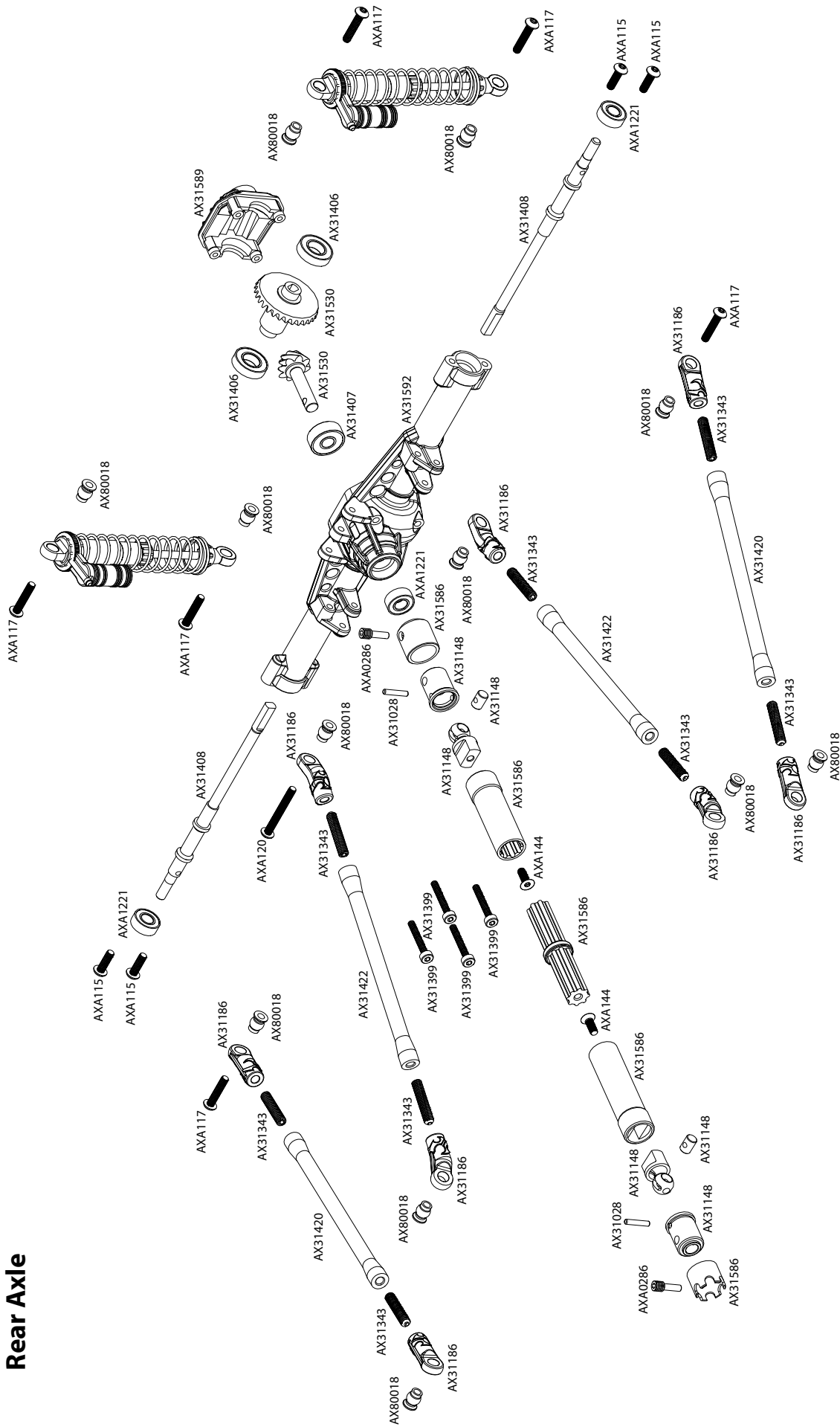

AXA0286
 M4x2.5x13mm x4

 **Open Bag I**


AXA1059
 6mm Body Clip x4



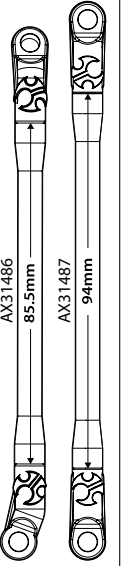
Rear Axle



11.4" Wheelbase



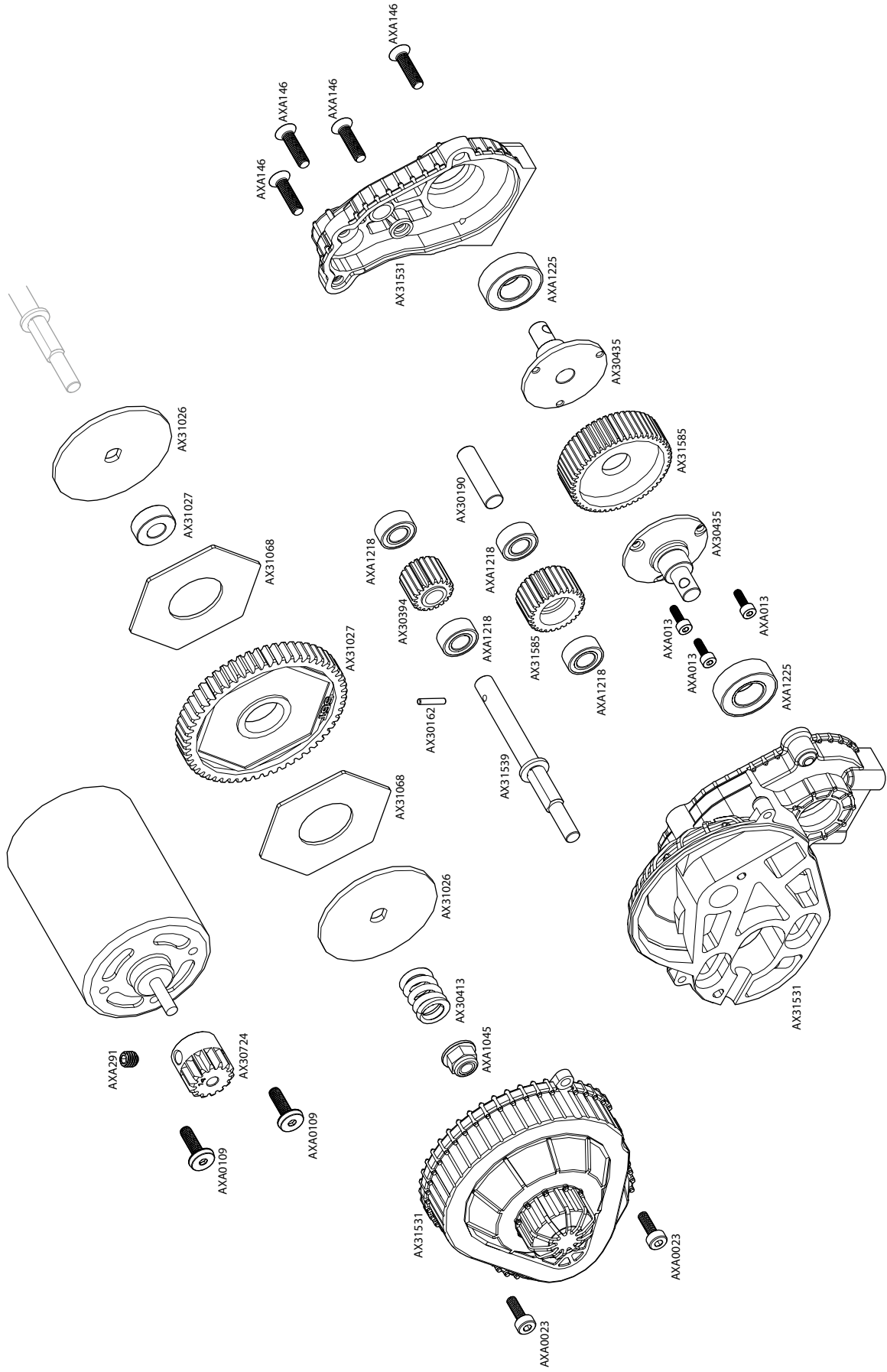
12.0" Wheelbase



12.3" Wheelbase

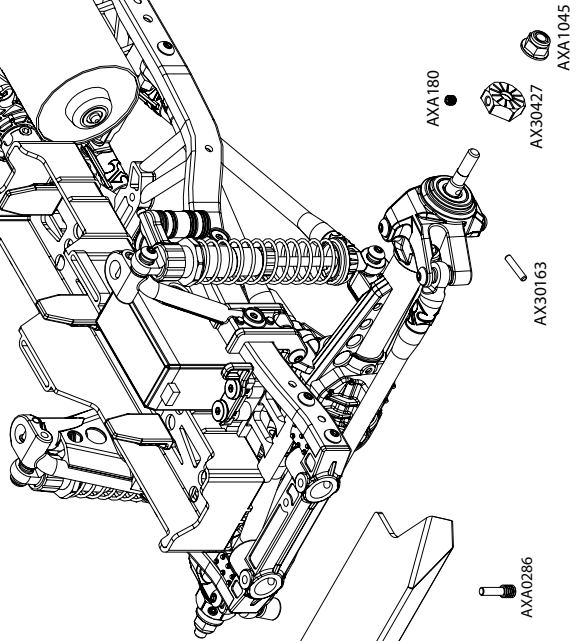
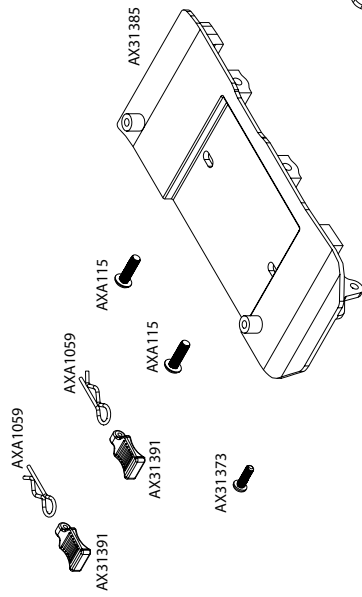


Transmission

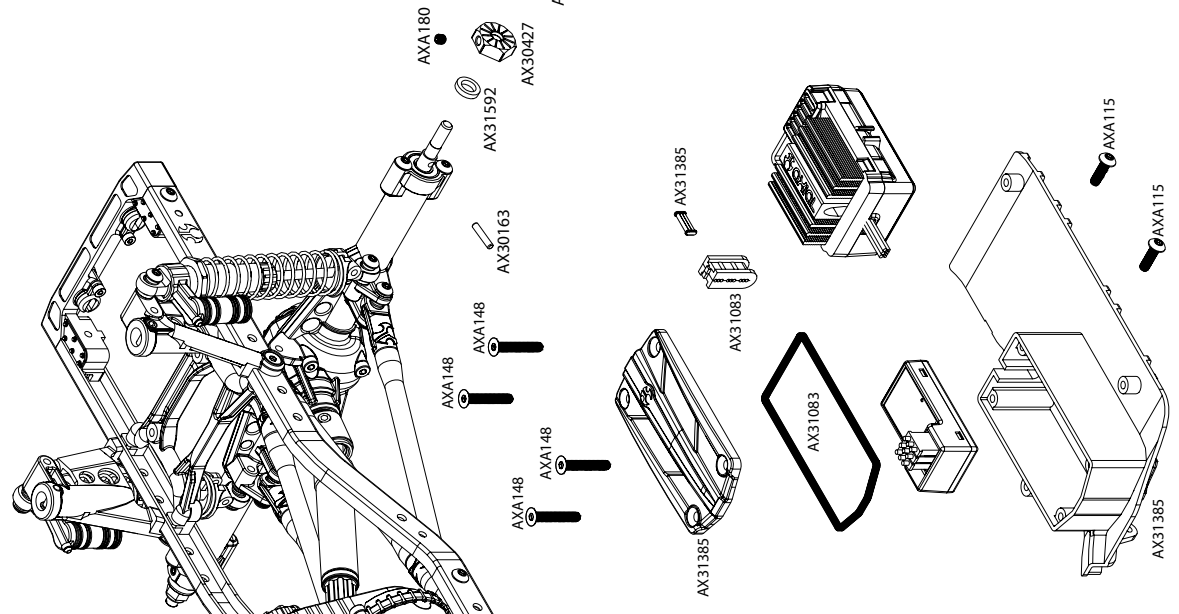
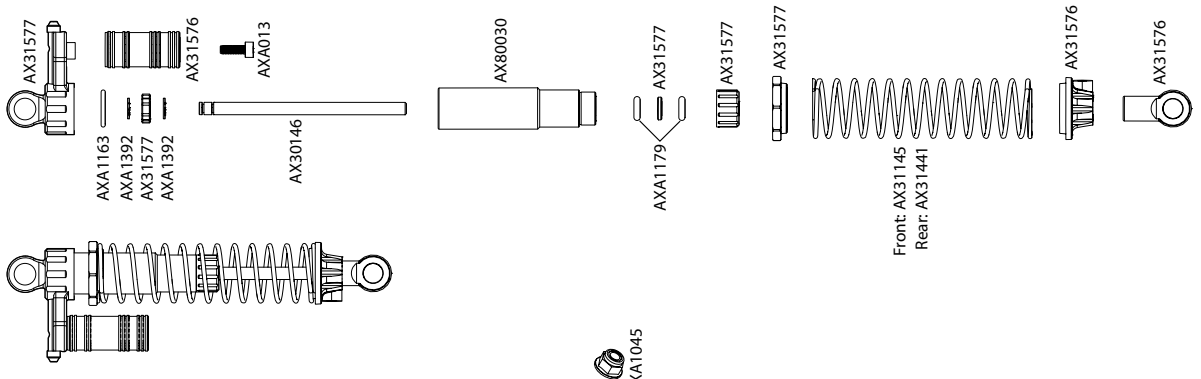


Chassis

- AXA1059
- AXA1391
- AXA1059
- AXA1391



Shock



Parts List

Part #	Description	Part #	Description
AX12012	Gate Marker - Green (2pcs)	AXA117	M3x15mm Hex Socket Button Head (Black) (10pcs)
AX30041	Hook and Loop Strap 15x160mm	AXA1179	O-Ring 2.5x1.5mm (10pcs)
AX30146	Shock Shaft 3x50 (2pcs)	AXA118	M3x18mm Hex Socket Button Head - Black (10pcs)
AX30162	Pin 1.5x8mm (6pcs)	AXA119	M3x20mm Hex Socket Button Head (Black) (10pcs)
AX30163	Pin 2.0x10mm (6pcs.)	AXA120	M3x25mm Hex Socket Button Head (Black) (10pcs)
AX30190	Shaft 5x18 (2pcs.)	AXA1218	Bearing 5x10x4mm (2pcs)
AX30394	20T Drive Gear	AXA1221	Bearing 5x11x4mm (2pcs)
AX30413	Slipper spring 8.5x12 165 lbs/in - Black (2pcs)	AXA1225	Bearing 8x16x5mm (2pcs)
AX30427	Narrow 12mm Aluminum Hub - Black (4pcs)	AXA1230	Bearing 10x15x4mm
AX30435	Steel Outdrive Shaft Set (2pcs)	AXA1392	E2 e-clip (10pcs)
AX30724	Pinion Gear 32P 13T (3mm shaft)	AXA144	M3x8mm Hex Socket Flat Head (Black) (10pcs)
AX31026	Slipper Plate Washer 33x5x1.5mm (2pcs)	AXA146	M3x12mm Hex Socket Flat Head - Black (10pcs)
AX31027	Spur Gear 32P 56T	AXA148	M3x18mm Hex Socket Flat Head (Black) (10pcs)
AX31028	Pin 2.0x11mm (6pcs)	AXA180	M3x3mm Set Screw (Black) (10pcs)
AX31068	Slipper Pad 32.8x15.2x1mm (2pcs)	AXA291	M4x4mm Set Screw (Black) (6pcs.)
AX31083	Radio Box Seals		
AX31083	Radio Box Seals		
AX31120	M3x10mm Hex Socket Flat Head (Black) (10pcs)		
AX30810	EXO™ Universal Joint Rebuild Set (Front or Rear) (2pcs)		
AX31145	Spring 12.5x60mm 2.63 lbs/in - Medium (Grey) (2pcs)		
AX31148	WB8-HD Driveshaft Coupler Set		
AX31186	M4 Rod End Set		
AX31343	M4x20mm Set Screw (Black) (10pcs)		
AX31373	M2.6x8mm Hex Socket Button Head (Black) (10pcs)		
AXA0023	M2.6x8mm Cap Head (Black) (10pcs)		
AX31379	SCX10 II Skid Plates		
AX31380	SCX10 II Shock Hoops		
AX31381	AR44 Steering Knuckles		
AX31385	SCX10 II Side Plates		
AX31391	SCX10 II Body Posts		
AX31399	M2.6x18mm Cap Head (Black) (10pcs)		
AX31402	AR44 Universal Axle Set (2pcs)		
AX31403	M3x4x10mm Hex Socket Button Head Shoulder Screw (Black) (6pcs)		
AX31406	Bearing 7x14x3.5mm (2pcs)		
AX31407	Bearing 5x14x5mm (2pcs)		
AX31408	AR44 Straight Axle Shaft 5x106mm (2pcs)		
AX31418	SCX10 II Chassis Rails (2pcs)		
AX31419	Threaded Aluminum Link 7.5x80mm - Grey (2pcs)		
AX31420	Threaded Aluminum Link 7.5x101.5mm - Grey (2pcs)		
AX31421	Threaded Aluminum Link 7.5x71mm - Grey (2pcs)		
AX31422	Threaded Aluminum Link 7.5x93mm - Grey (2pcs)		
AX31423	Threaded Aluminum Link 7.5x56.5mm - Grey (2pcs)		
AX31424	Threaded Aluminum Link 7.5x107mm - Grey (2pcs)		
AX31441	Spring 12.5x60mm 1.13 lbs/in - (White) (2pcs)		
AX31530	AR44 Locker Bevel Gear Set 30T/8T		
AX31531	LCX Transmission Case (Silver)		
AX31539	Slipper Drive Gear Shaft 5x56.5mm		
AX31571	CRC JK Front Bumper		
AX31576	Shock Parts		
AX31577	Shock Caps		
AX31585	Gear Set (48P 28T, 48P 52T)		
AX31586	WB8-HD Standard Driveshaft		
AX31589	AR44 Differential Covers (Red)		
AX31590	Battery Tray and Servo Mount Set		
AX31591	Chassis Brace Set		
AX31592	AR44 Solid Axle Housing (Front and Rear)		
AX80006	Servo Set		
AX80018	Hardware Parts Tree		
AX80030	61-90 Schock Body Set		
AXA0109	M3x10mm Oversized Flat Hex Socket (Black) (10pcs)		
AXA0113	M3x6mm Hex Socket Button Head (Black) (10pcs)		
AXA013	M2x6 mm Cap Head (Black) (10pcs)		
AXA0286	Screw Shaft M4x2.5x12mm (6pcs)		
AXA1045	M4 Nylon Lock Nut (Black) (10pcs)		
AXA1052	M3 Thin Nylon Locking Hex Nut (Black)		
AXA1053	M3 Nylon Locking Hex Nut (Black) (10pcs)		
AXA1059	6mm Body clip (Black) (10pcs)		
AXA1070	Washer 3x6x0.5 (10pcs)		
AXA114	M3x8mm Hex Socket Button Head (Black) (10pcs)		
AXA115	M3x10mm Hex Socket Button Head (Black) (10pcs)		
AXA1163	O-Ring 7x1mm (10pcs)		



EXPLORE

facebook.com/axialinc | instagram.com/axialracing | twitter.com/axialrc
youtube.com/axialvideos | flickr.com/axialrc